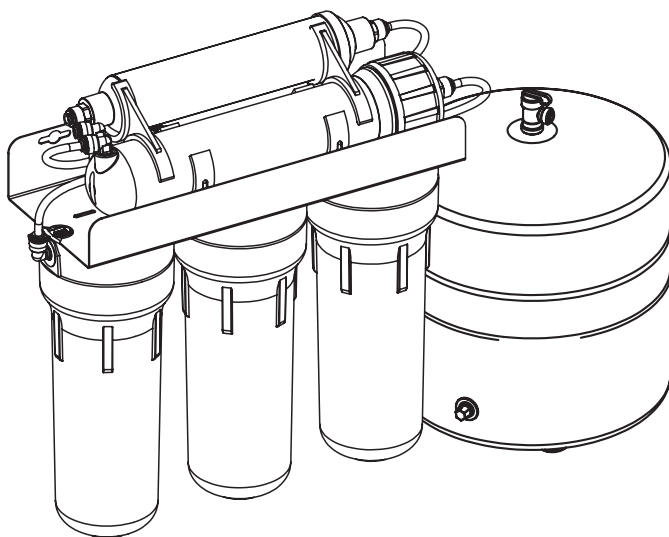


# ecosoft

## INSTALLER AND USER GUIDE FOR DOMESTIC REVERSE OSMOSIS SYSTEM

## ІНСТРУКЦІЯ З ПІДКЛЮЧЕННЯ ТА ЕКСПЛУАТАЦІЇ СИСТЕМИ ЗВОРОТНОГО ОСМОСУ



If you have any questions or concerns when installing, operating or maintaining your reverse osmosis system, call our toll free number:

**0 800 30 10 21**

or visit [www.ecosoft.com](http://www.ecosoft.com)

When you call, please be prepared to provide the model, date code and serial number of your product.

These systems are tested and certified by WQA to NSF/ANSI 58 and NSF/ANSI/CAN 372. Systems conform to NSF/ANSI 58 for the specific performance claims as verified and substantiated by test data.



Manufactured and warranted by  
Ecosoft SPC LTD, 11, Pokrovska str.,  
Irpın, Kyiv region, 08203, Ukraine

## CERTIFICATES OF ECOSOFT



PRODUKT Z ATTESTEM

Number  
B.BK.60110.0920.2024  
valid up to: 12 08 2027



## CONTENTS

<b>1. Purpose of the product</b>	<b>4</b>
<b>2. Specifications and components</b>	<b>6</b>
2.1 Model designations	6
2.2 Specifications and requirements	7
2.3 Water quality	7
2.3.1. Supply water quality requirements	7
2.3.2. Water quality after reverse osmosis membrane	8
2.3.3. Quality of mineralized water	8
2.4 Reverse osmosis system components	9
<b>3. Connection Diagrams</b>	<b>11</b>
3.1 Connection diagram for base model	11
3.2. Connection diagram for the system with a remineralizer and double faucet	12
3.3. Connection diagram for the system with a remineralizer and single faucet	13
3.4. Connection diagram for the system with a pump (5-stage filtration)	14
3.4.1 Connection diagram for the system with a pump (6-stage filtration)	15
3.5. Connection diagram for the PURE Balance system	16
3.5.1 Connection diagram for the PURE Balance system with a pump	17
3.6. Connection diagram for the PURE AquaCalcium system	18
3.6.1 Connection diagram for the PURE AquaCalcium system with pump	19
3.7. Connection diagram for the PURE Alkafuse system	20
3.7.1 connection diagram for the PURE Alkafuse system with pump	21
<b>4. Steps for installing reverse osmosis system</b>	<b>22</b>
4.1 Verify your setup	22
4.2 Installation procedure	23
4.2.1 Recommended tools for installation	23
4.2.2 Procedure for installation	23
<b>5. Steps after installation</b>	<b>27</b>
<b>6. Usage</b>	<b>28</b>
6.1 Parts of the filter and their recommended change out rates	30
6.2 The procedure for replacing postfilter cartridges	32
6.3 The procedure for replacing membrane	33
6.4 The procedure for replacing carbon postfilter and/or mineralizing postfilter	35
<b>7. Sanitization of reverse osmosis filter</b>	<b>37</b>
7.1 Sanitization of pressure tank	38
<b>8. Troubleshooting</b>	<b>40</b>
<b>9. Service record</b>	<b>43</b>
9.1 Commissioning	43
9.2 Maintenance log	44
<b>10. Performance data</b>	<b>45</b>
10.1 Arsenic facts	45
<b>11. Environmental and health safety</b>	<b>46</b>
<b>12. Purchasing</b>	<b>46</b>
<b>13. Transportation and storage</b>	<b>46</b>
<b>14. Warning</b>	<b>47</b>
<b>15. Warranty</b>	<b>49</b>
<b>16. Certificates</b>	<b>51</b>

## 1. PURPOSE OF THE PRODUCT

Reverse osmosis is by far the most advanced technology of water purification in use today. Special semipermeable membrane structure similar in its properties to the membrane of a living cell is capable of purifying drinking water from virtually all harmful impurities (see Figure 1). The membrane can be conceived of as having tiny pores, 200 times smaller than viruses and 4000 times smaller than bacteria. Domestic water filters with reverse osmosis membranes harness the principle of body's metabolism on a cellular level. Only molecules of certain size can penetrate cellular membrane.

Reverse osmosis system is a five-stage filtration unit functioning as follows (see section 2.4 for reference numbers). Filter rack is connected to cold water supply with feed water adapter 4 and feed valve 5. Red tube carries water from feed valve to the (rightmost) bulb filter rack. Incoming water then passes through pre-filter cartridges 9. Pre-filter cartridges are designed to remove solids (such as rust, sand, silt, etc), residual chlorine and organochlorines from water. After undergoing pre-treatment steps in the pre-filters, water enters into the fourth (and the most important) stage: reverse osmosis membrane 11 contained in a special housing. Inlet of membrane housing is connected with the third (leftmost) bulb filter rack through the feed side of auto shut-off valve (four-way valve fastened to the top of filter rack). One of the two outlets supplies purified water (permeate), and the other carries away water with rejected impurities (concentrate). The membrane purifies water at the molecular level by passing through its pores only the water molecules and the molecules of dissolved oxygen.

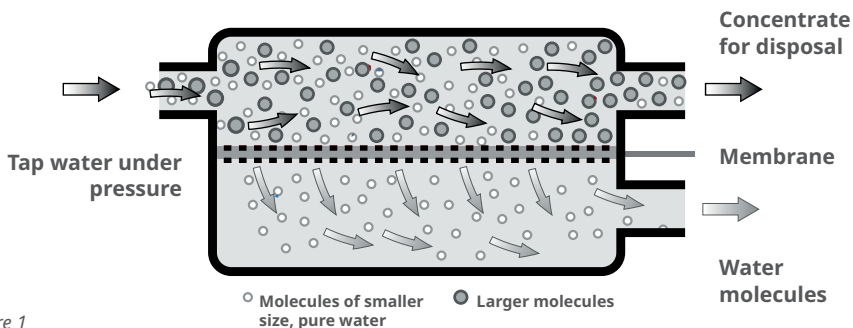


Figure 1

## 1. PURPOSE OF THE PRODUCT



**Before installing and using the reverse osmosis filter, carefully read this manual. Following the instructions will ensure the safe and efficient operation of the system and help prevent potential injuries or damage to equipment and property.**

Inside the membrane, water is separated into two streams: concentrate, which is discharged into drain, and permeate, which enters pressure tank 2 for storage. The tank is connected to the output through the membrane auto shut-off valve and check valve built into the transition fitting that is installed in the permeate outlet of membrane housing. After the auto shut-off valve is installed the union tee, through which the tank is connected to the filter rack with the yellow tube. On the top of the tank, tank valve 6 is installed.

Pressure tank of the system accumulates purified water. Without it, reverse osmosis membrane wouldn't be able to produce sufficient flow for direct water consumption. For example, if the filter had an installed membrane with a performance of 50 GPD (7.9 L / h), it would take over 1.5 min to fill the glass of 200 ml or 2 min for the 9 oz glass. Thus, the system stores purified water in the tank and delivers it to the user as needed, and then generates a supply of water. Time required to fill empty tank can range from 1.5 to 3 hours. After the tank has been filled the auto shut-off valve shuts off the water supply from the pre-filters and the unit stops. After opening purified water faucet 3, the pressure of water in the tank lowers, and the auto shut-off valve automatically resumes the flow of water through the pre-filter cartridges to the membrane to re-fill pressure tank. Water with retained impurities (concentrate) is discharged into drain through the concentrate outlet, connected with black tube to drain saddle 8, which is installed on drain pipe. In order to create backpressure, which is required to maintain the operating pressure inside the membrane housing, flow restrictor 14 is installed in the black tube. Flow restrictor is a plastic insert with precision bore capillary. The flow restrictor is inserted inside the end of black tube that is fitted in the membrane concentrate outlet.

When drawn from the faucet, purified water runs from the pressure tank through the union tee through to the fifth stage of purification — carbon postfilter, intended for the final purification of water. It contains high quality activated carbon made from coconut shell. This filter improves and refines flavor of purified water. Carbon postfilter is connected with blue tube to the drinking water faucet 3 mounted on sink or counter.

The mineralizer contains a natural blend of minerals such as Calcite and/or Corosex, and may also include activated carbon, depending on the filter model. This component enriches water with calcium and/or magnesium, enhances its taste, and contributes to better health.

## 2. SPECIFICATIONS AND COMPONENTS

### 2.1 MODEL DESIGNATIONS

**Models**

MO 5 50 (75, 100***)
MO 5 50 (75, 100***) P
MO 6 50 (75, 100***) M
MO 6 50 (75, 100***) MAC
MO 6 50 (75, 100***) MP

Please, find model of your filter on enclosure

**MO X YYY ZZZZ AAA BBB**

**MO** — The type of filter. RO stands for reverse osmosis

**X** — Number of stages

**YYY** — Capacity of reverse osmosis membrane in GPD (gallons per day)\*:

<b>50GPD</b>	190 liters per day	7.9 liters per hour (2 gallons per hour)
<b>75GPD</b>	280 liters per day	11.6 liters per hour (3.1 gallons per hour)
<b>100GPD</b>	380 liters per day	15.8 liters per hour (4.2 gallons per hour)

\* Capacity of the reverse osmosis filter is variable and depends on a number of factors. These include supply water quality, wear of pre-filter cartridges and of membrane itself, supply water pressure and temperature.

**ZZZZ** — Legend of additional equipment (no letters specify base model with no extra equipment):

<b>M</b>	The filter is equipped with mineralizing postfilter
<b>MAC</b>	The filter with PURE AquaCalcium water mineralization technology
<b>MBAL</b>	The filter with PURE Balance water mineralization technology
<b>ALK</b>	The filter with PURE Alkafuse water mineralization technology
<b>P</b>	The filter is equipped with pressure booster pump

**AAA** — Trademark

**BBB** — Language version

**S** — The system is fixed on a metal rack

**For example:** Ecosoft MO575PSECO means reverse osmosis unit with 5 stages equipped with membrane of 75 gallon per day capacity (11.6 l / h (3 gal / h)), mineralizing postfilter, and booster pump. Trademark ECOSOFT.

\*\* Models equipped with a pressure booster pump (marked with the letter "P" in the model designation), are intended for connection to the single-phase AC power with a voltage of 230 V, 50 Hz.



**The system is equipped with a power cord with a plug and should be connected in the proper type of socket with grounding complying with the local standards. Electrical safety notice: this appliance should be connected into a circuit with an RCB installed Before performing any operations system must be disconnected from the electric power source.**

\*\*\* Models MO5100 not certified by WQA.



**CAUTION!**  
**Filter installation should be carried out by a specialist with appropriate qualifications and experience.**  
**The product should only be used with cold water supply!**

## 2. SPECIFICATIONS AND COMPONENTS

### 2.2. SPECIFICATIONS AND REQUIREMENTS

Parameter	Value
Main pressure (no booster pump), bar (psi)	3-6* (43-87)
Main pressure (booster pump installed), bar (psi)	2-4.5 (29-65)
Tank bladder pressure, bar (psi)	0.4-0.6** (5.8-8.7)
Feed water temperature, °C (°F)	+4...+30*** (39...86)
Weight of the system (base model), kg (pounds)	6 (13.2)
Ambient temperature, °C (°F)	+5...+40*** (+41...+104)
Water supply connection	3/8" or 1/2" thread
Storage Tank Capacity, L	5-6
Filter dimensions, H×W×D (basic assembly), mm (inch)	350 × 260 × 260 (13.8 × 10.2 × 10.2)
Tank dimensions, H×W×D, mm (inch)	350 × 260 × 260 (13.8 × 10.2 × 10.2)

\* If supply water pressure is below required value, purchase pumped model or fit your existing filter with booster pump. If the pressure in the water system is above the limit, it is necessary to install a pressure regulator on the main pipe.  
 \*\* If pressure in tank bladder is outside this range, it is necessary to pump up or release the pressure until it conforms to the requirement. Before installing the filter, it is essential to conduct an analysis of the tap water at a certified laboratory. This will help determine its quality and ensure it meets the parameters recommended for the correct operation of the system.  
 \*\*\* If supply water temperature is up in the range of +20...+30 °C (+68...+86 °F), rejection of impurities will be decreased and system capacity increased, bringing about an increase in TDS. Using the product with supply water temperature in excess of +30 °C (+86 °F) is not recommended.



**Reverse osmosis systems must be protected from high pressure and sudden pressure surges caused by local water supply systems. A pressure regulator must be installed at the system's inlet.**

The optimal operating pressure for the system is 3.5 bar (52.5 psi) — the pressure regulator is pre-set to this parameter by the manufacturer. Failure to install a pressure regulator may result in damage to pressure-sensitive components and void the warranty.

### 2.3. WATER QUALITY

#### 2.3.1. SUPPLY WATER QUALITY REQUIREMENTS\*

Index	Value**
pH	6.5-8.5
TDS	<1500 ppm
Hardness	<500 ppm CaCO <sub>3</sub> (<28 °dH)
Free chlorine	<0.5 ppm
Iron	<0.3 ppm
Manganese	<0.1 ppm
Chemical oxygen demand	<5 ppm O <sub>2</sub>
Total bacterial count (TBC)	<50 CFU/mL
E. coli titer	<3

Do not use with water that is microbiologically unsafe or of unknown quality without adequate disinfection before or after the system.

\* If water supply does not meet the requirements, service life of membrane and/or pre-filter cartridges may be shortened.  
 \*\* If your home is supplied with raw wellwater, perform laboratory test of your water before installing a reverse osmo- sis filter. If any of your water indices exceed the limit, consider using a water treatment system to correct supply water quality. Refer to water treatment specialists or companies for advice and proper equipment selection.



## 2. SPECIFICATIONS AND COMPONENTS

### 2.3.2. WATER QUALITY AFTER REVERSE OSMOSIS MEMBRANE\*

Index	Value
pH	5.5–6.5
TDS	5–15 ppm
Calcium	<2 ppm
Magnesium	<1 ppm
Sodium + Potassium	<5 ppm

\* Values are determined under the following conditions: temperature of supply water is 25 °C (77 °F), supply water quality and operation conditions correspond to manufacturer's requirements.

### 2.3.3. QUALITY OF MINERALIZED WATER\*

Index	Ecosoft Mineralization filter	AquaCalcium	Pure Balance	Pure Alkafuse
pH	6.5–7.5	7–7.5	7–8.5	>8,5***
TDS, ppm	20–30**	55–65**	60–80	60–120
Calcium, ppm	<10,0	10–15	10–15	5–15
Magnesium, ppm	—	—	4–6	5–15



**Please note!**

Changes in the taste and odor of purified water after replacing the carbon post-filter and mineralizer are due to the maximum capacity of the filter material at the beginning of the cartridge life. During the operation of the cartridges, the mineralization and organoleptic characteristics of the water gradually decrease.

**Follow the maintenance schedule for your filter to ensure consistent quality of treated water.**

\* Values are determined under the following conditions: temperature of supply water is 20 °C (68 °F), supply water quality and operation conditions correspond to manufacturer's requirements, water consumption as typical for a family of three. As the temperature of supply water drops in winter, the minerals content may be lower, and with increasing temperature in summer - higher.  
 \*\* After standby for one hour or more the content of minerals in the first glass of purified water may be higher than the specified values, as more minerals can dissolve during this period. This is normal and does not impair the quality of the purified water.



**\*\*\* Before consuming water with a pH level >8.5 consult a doctor.**

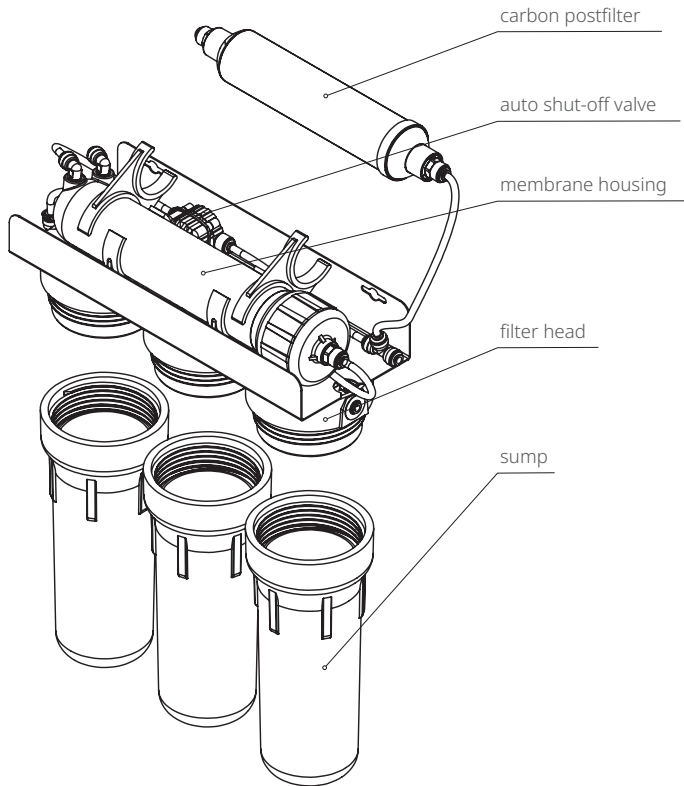


## 2. SPECIFICATIONS AND COMPONENTS

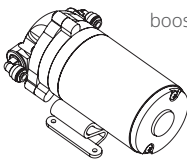
### 2.4. REVERSE OSMOSIS SYSTEM COMPONENTS

The manufacturer reserves the right to modify product design or specific components, if such modification does not entail deterioration of consumer properties of the product.

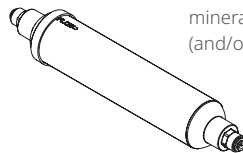
#### 1) Filter rack



#### Options:



booster pump



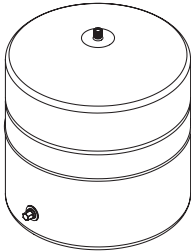
mineralizing postfilter  
(and/or other type of postfilter)\*

\* depending on your configuration

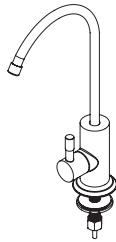
## 2. SPECIFICATIONS AND COMPONENTS

### 2.4. REVERSE OSMOSIS SYSTEM COMPONENTS

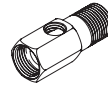
2) Pressure tank



3) Drinkingwater faucet



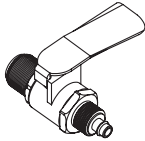
4) Feed water adapter 1/2"



4.1) Feed water adapter 3/8"



5) Feed valve



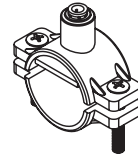
6) Tank valve



7) Set of colored tubes

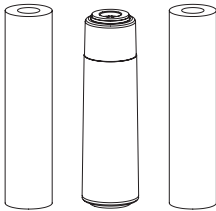


8) Drain saddle



9) Set of pre-filter cartridges (may vary with model)

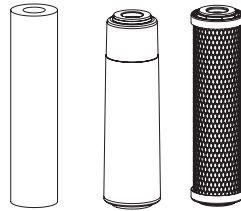
For the series Standard



PP5  
CPV25105    GAC  
CHV2510    PP1  
CPV25101

9.1

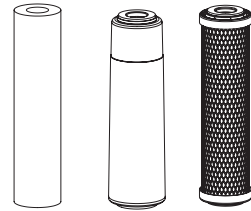
For the series Absolute



PP5-B    GAC    CTO  
CPV25105BECO    CHV2510    AquaGreen

9.2

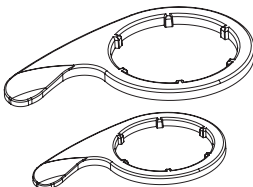
For the series PURE



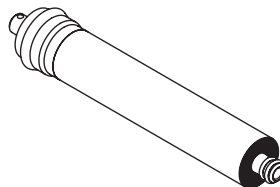
DGD-PP20/5    GAC    CTO  
CPV2510205ECO    CHV2510    AquaGreen

9.3

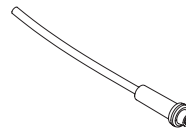
10) Sump and membrane housing wrenches



11) Reverse osmosis membrane



12) Flow restrictor



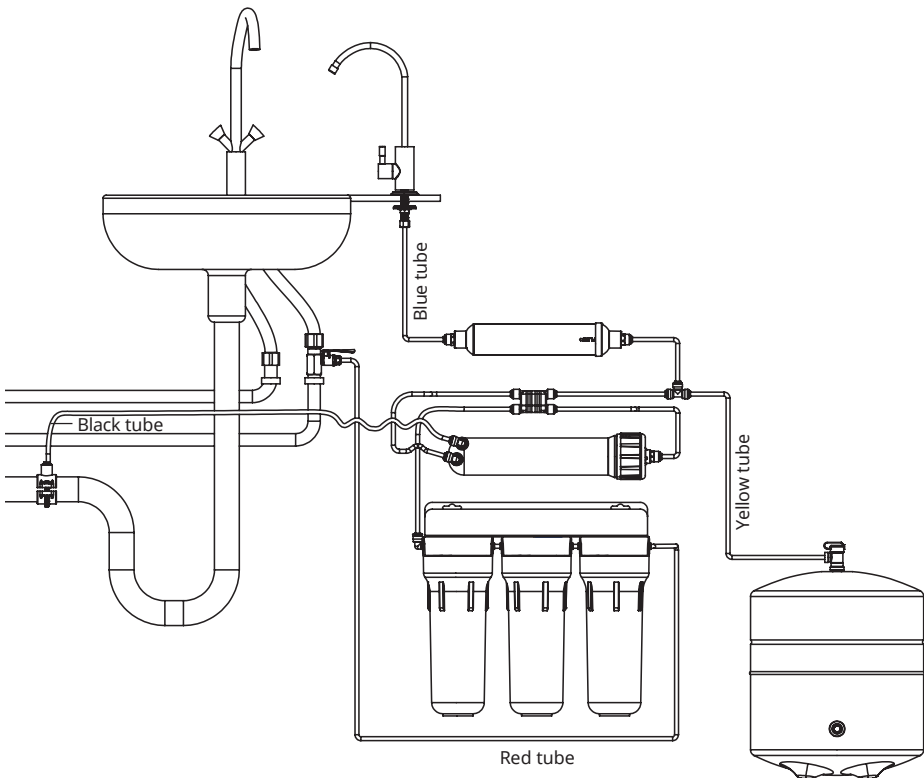
**13) Locking clip:** accessory securing push-fit connections from inadvertent disconnection in easily accessible locations. Presence of the clip has no effect on tightness of the connection. Quantity of clips in your reverse osmosis filter may vary depending on design of the product, and has no bearing on its performance.



### 3. CONNECTION DIAGRAMS

#### 3.1. CONNECTION DIAGRAM FOR BASE MODEL

Before starting the installation, please review the following connection diagram corresponding to your filter model.



#### Models

MO 5 50

MO 5 75

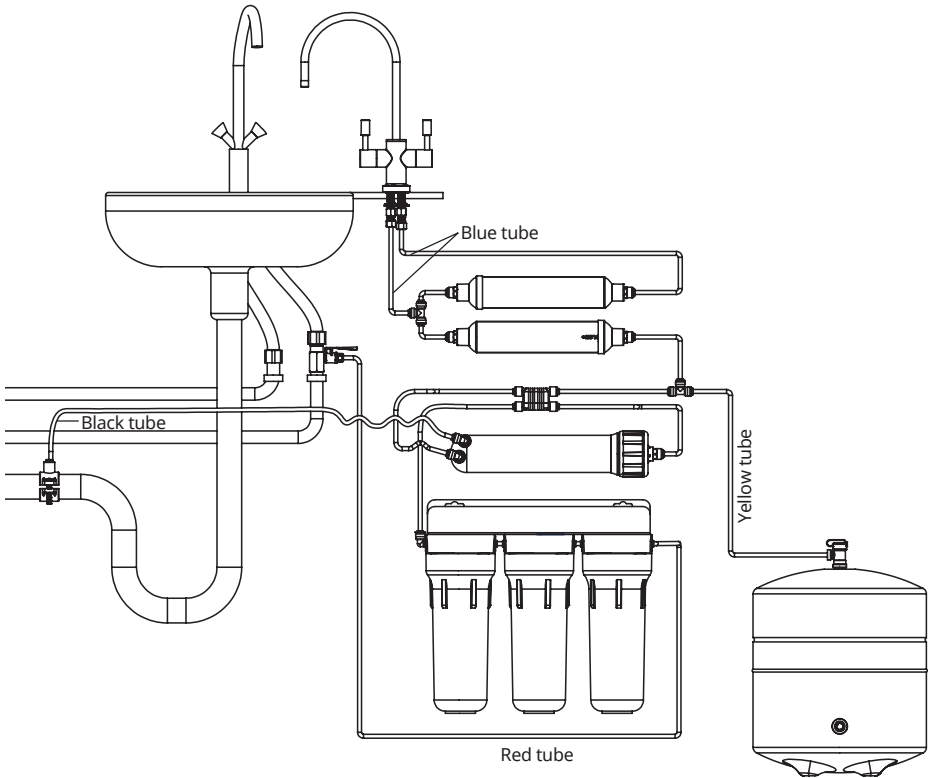
MO 5 100\*

The manufacturer reserves the right to modify product design or specific components, if such modification does not entail deterioration of consumer properties of the product.

\* Models are not certified by WQA

### 3. CONNECTION DIAGRAMS

#### 3.2. CONNECTION DIAGRAM FOR THE SYSTEM WITH A REMINERALIZER AND DOUBLE FAUCET



#### Models

MO 6 50 M

MO 6 75 M

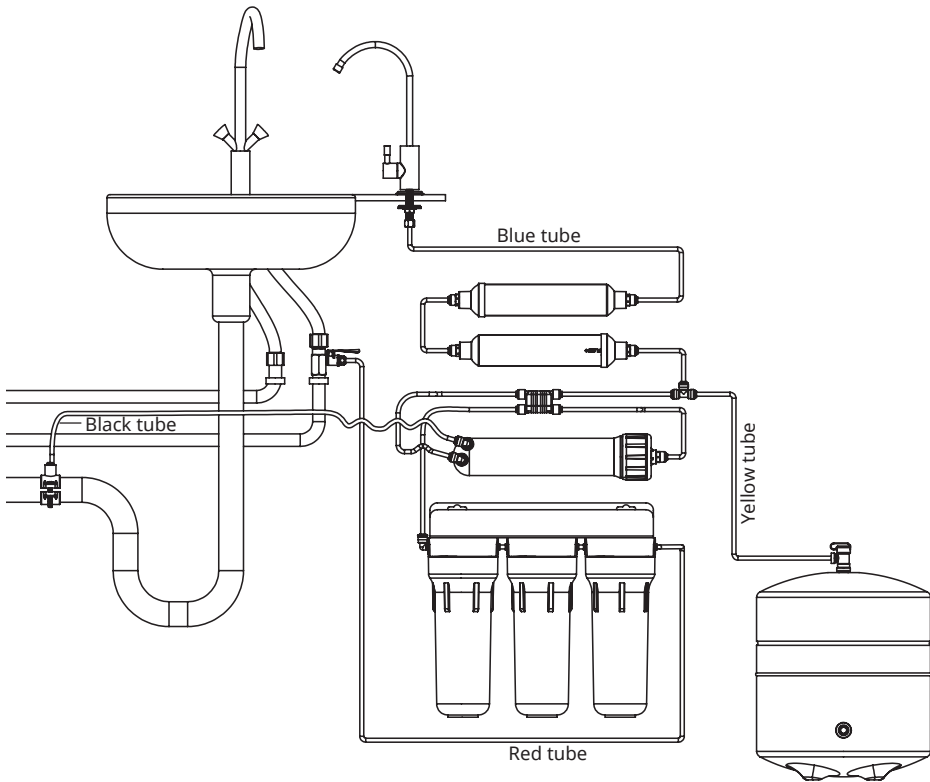
MO 6 100 M\*

The manufacturer reserves the right to modify product design or specific components, if such modification does not entail deterioration of consumer properties of the product.

\* Models are not certified by WQA

### 3. CONNECTION DIAGRAMS

#### 3.3. CONNECTION DIAGRAM FOR THE SYSTEM WITH A REMINERALIZER AND SINGLE FAUCET



#### Models

MO 6 50 M

MO 6 75 M

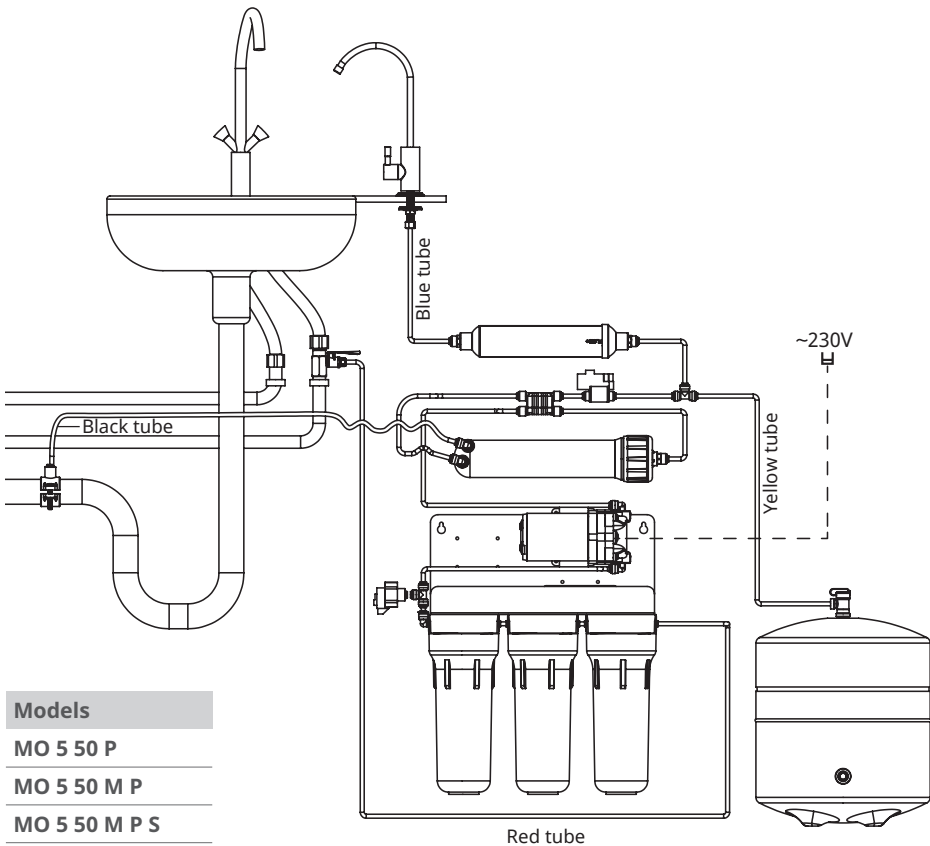
MO 6 100 M\*

The manufacturer reserves the right to modify product design or specific components, if such modification does not entail deterioration of consumer properties of the product.

\* Models are not certified by WQA

### 3. CONNECTION DIAGRAMS

#### 3.4. CONNECTION DIAGRAM FOR THE SYSTEM WITH A PUMP (5-STAGE FILTRATION)



#### Models

MO 5 50 P

MO 5 50 M P

MO 5 50 M P S

MO 5 75 P

MO 5 75 M P

MO 5 75 M P S

MO 5 100 P\*

MO 5 100 M P\*

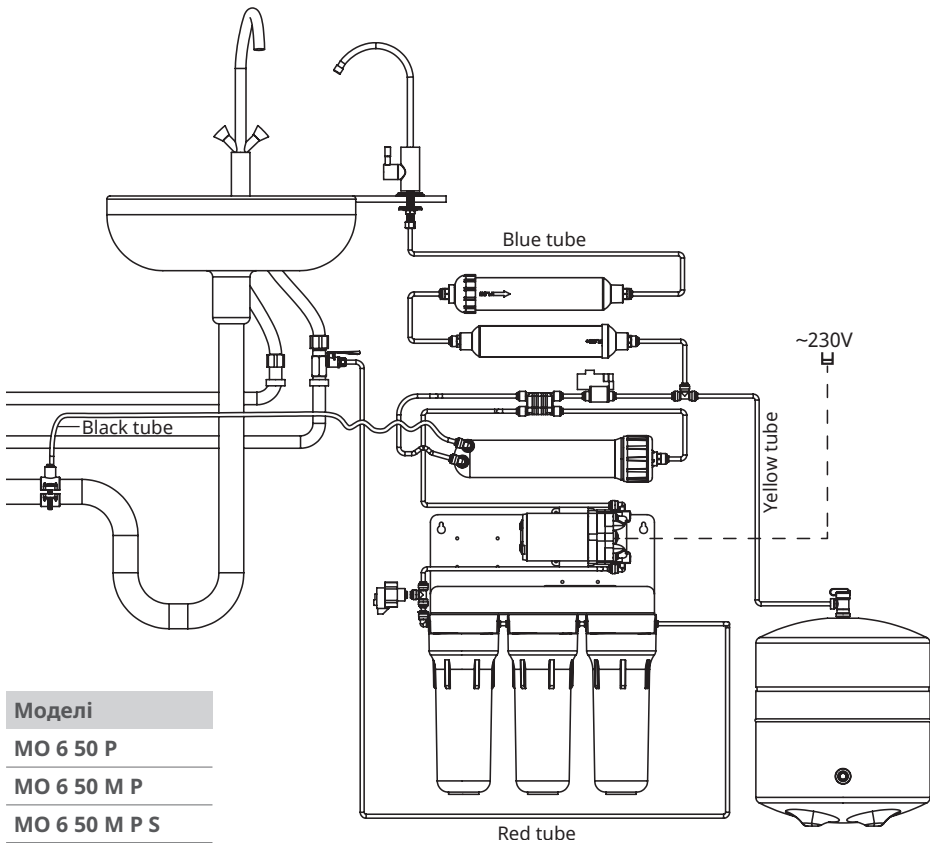
MO 5 100 M P S\*

The manufacturer reserves the right to modify product design or specific components, if such modification does not entail deterioration of consumer properties of the product.

\* Models are not certified by WQA

### 3. CONNECTION DIAGRAMS

#### 3.4.1 CONNECTION DIAGRAM FOR THE SYSTEM WITH A PUMP (6-STAGE FILTRATION)



#### Модели

MO 6 50 P

MO 6 50 M P

MO 6 50 M P S

MO 6 75 P

MO 6 75 M P

MO 6 75 M P S

MO 6 100 P\*

MO 6 100 M P\*

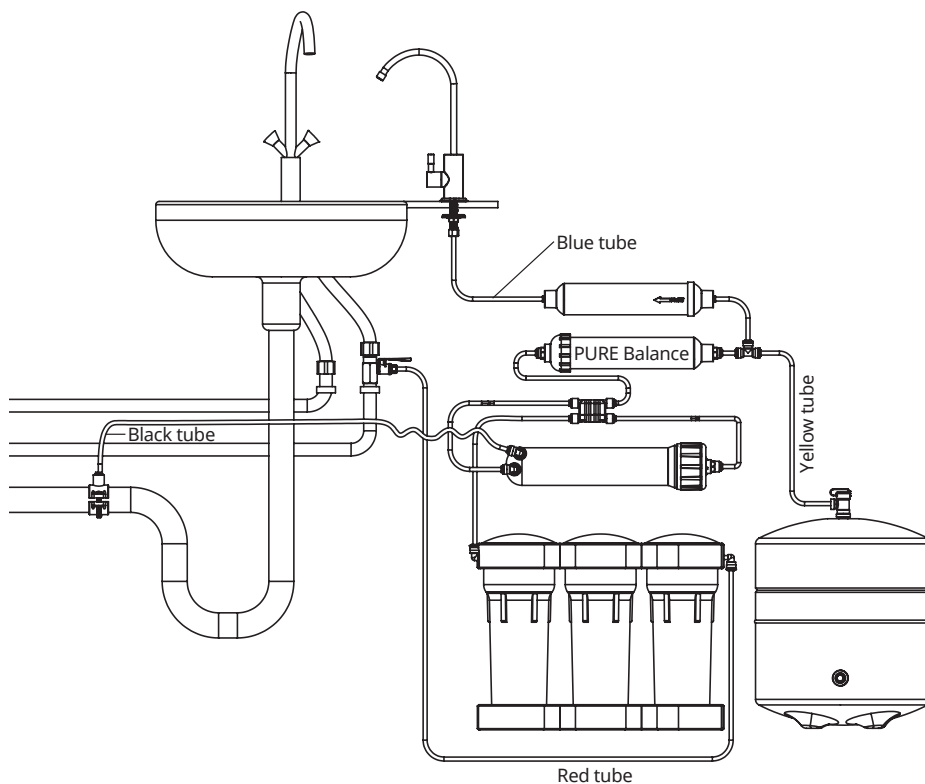
MO 6 100 M P S\*

The manufacturer reserves the right to modify product design or specific components, if such modification does not entail deterioration of consumer properties of the product.

\* Models are not certified by WQA

### 3. CONNECTION DIAGRAMS

#### 3.5. CONNECTION DIAGRAM FOR THE PURE BALANCE SYSTEM



#### Models

**MO 6 50 M BAL**

**MO 6 75 M BAL**

**MO 6 100 M BAL\***

The manufacturer reserves the right to modify product design or specific components, if such modification does not entail deterioration of consumer properties of the product.

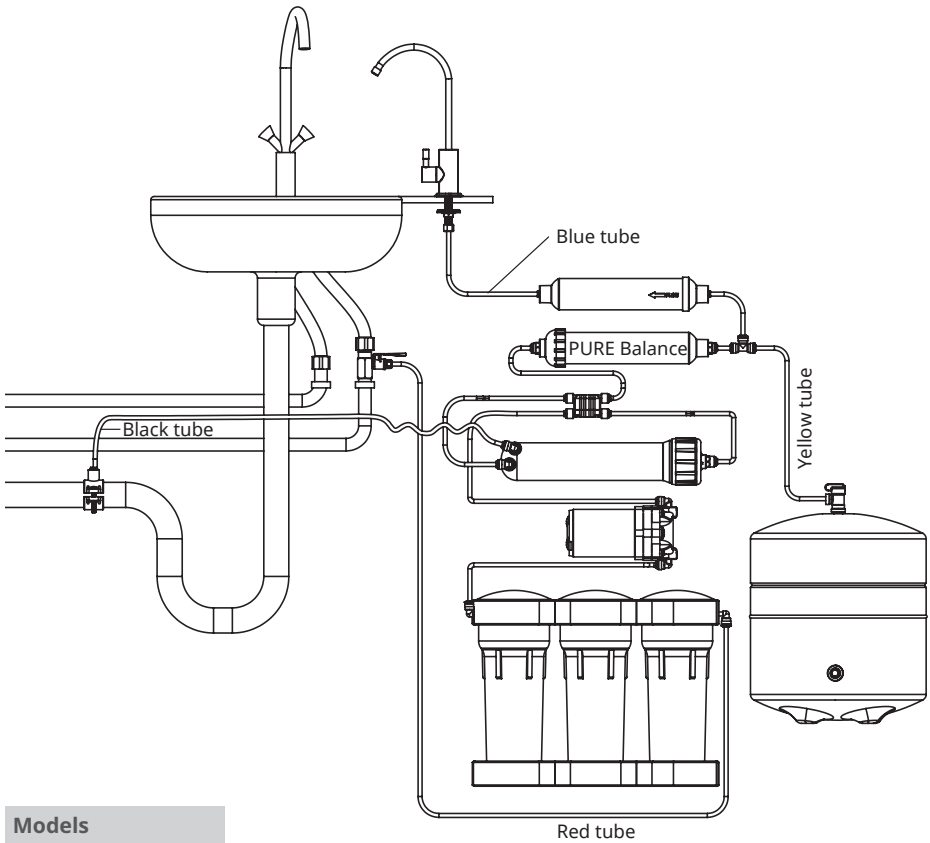
\* Models are not certified by WQA



### 3. CONNECTION DIAGRAMS

#### 3.5.1 CONNECTION DIAGRAM FOR THE PURE BALANCE SYSTEM WITH A PUMP

ZEN



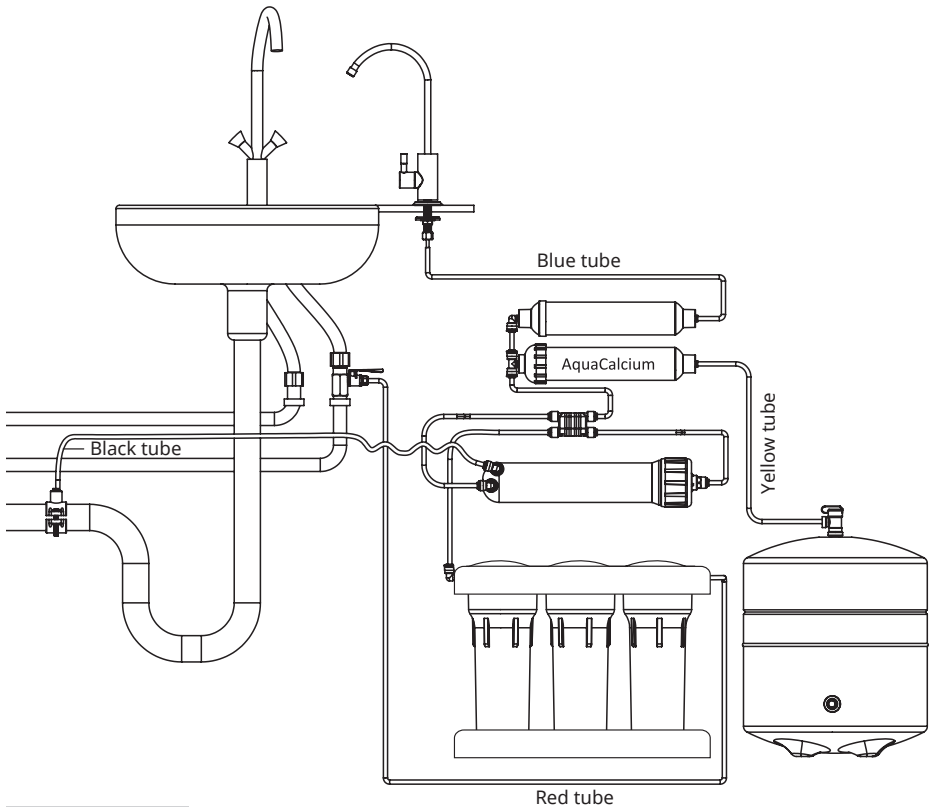
- Models**
- MO 6 50 M P BAL**
  - MO 6 75 M P BAL**
  - MO 6 100 M P BAL\***

The manufacturer reserves the right to modify product design or specific components, if such modification does not entail deterioration of consumer properties of the product.

\* Models are not certified by WQA

### 3. CONNECTION DIAGRAMS

#### 3.6. CONNECTION DIAGRAM FOR THE PURE AQUACALCIUM SYSTEM



#### Models

MO 6 50 MAC

MO 6 75 MAC

MO 6 100 MAC\*

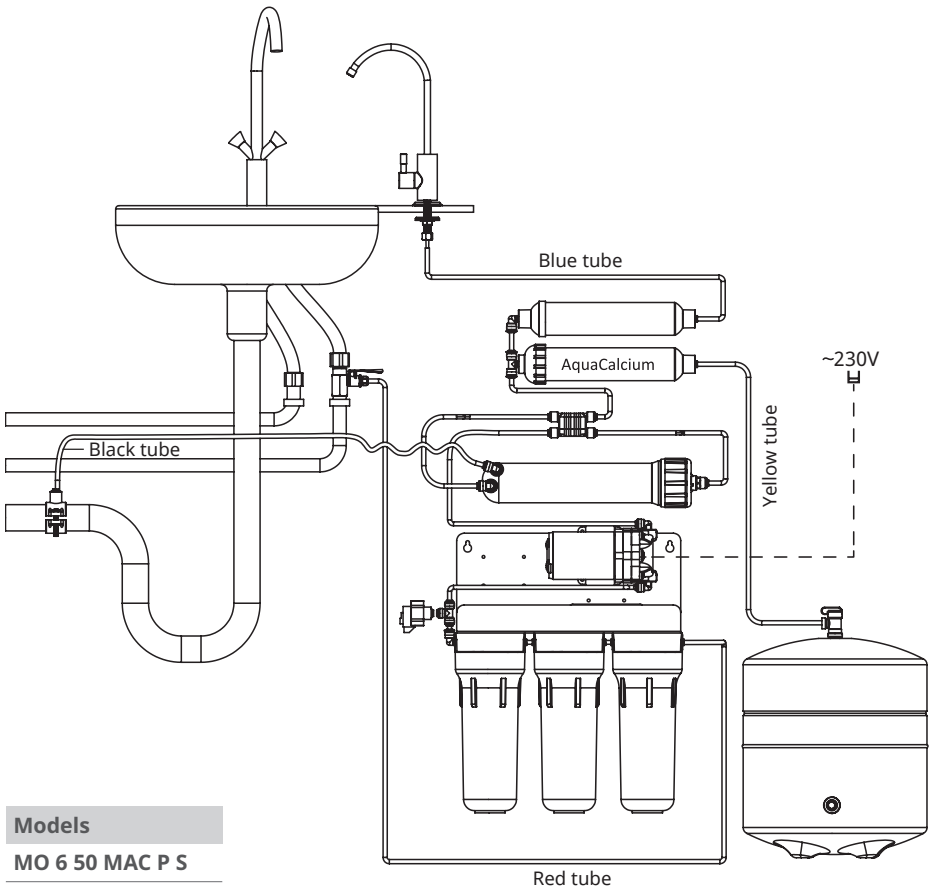
The manufacturer reserves the right to modify product design or specific components, if such modification does not entail deterioration of consumer properties of the product.

\* Models are not certified by WQA

### 3. CONNECTION DIAGRAMS

#### 3.6.1 CONNECTION DIAGRAM FOR THE PURE AQUACALCIUM SYSTEM WITH PUMP

ZEN



- Models**
- MO 6 50 MAC P S**

---

  - MO 6 75 MAC P S**

---

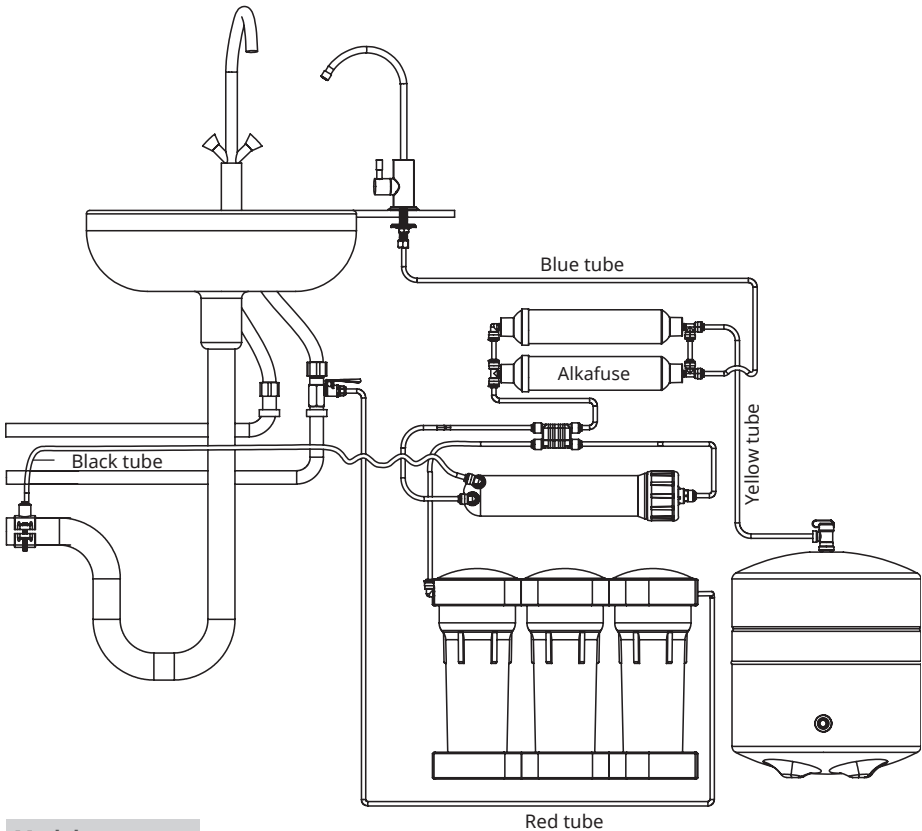
  - MO 6 100 MAC P S\***

The manufacturer reserves the right to modify product design or specific components, if such modification does not entail deterioration of consumer properties of the product.

\* Models are not certified by WQA

### 3. CONNECTION DIAGRAMS

#### 3.7. CONNECTION DIAGRAM FOR THE PURE ALKAFUSE SYSTEM



#### Models

MO 6 50 ALC

MO 6 75 ALC

MO 6 100 ALC\*

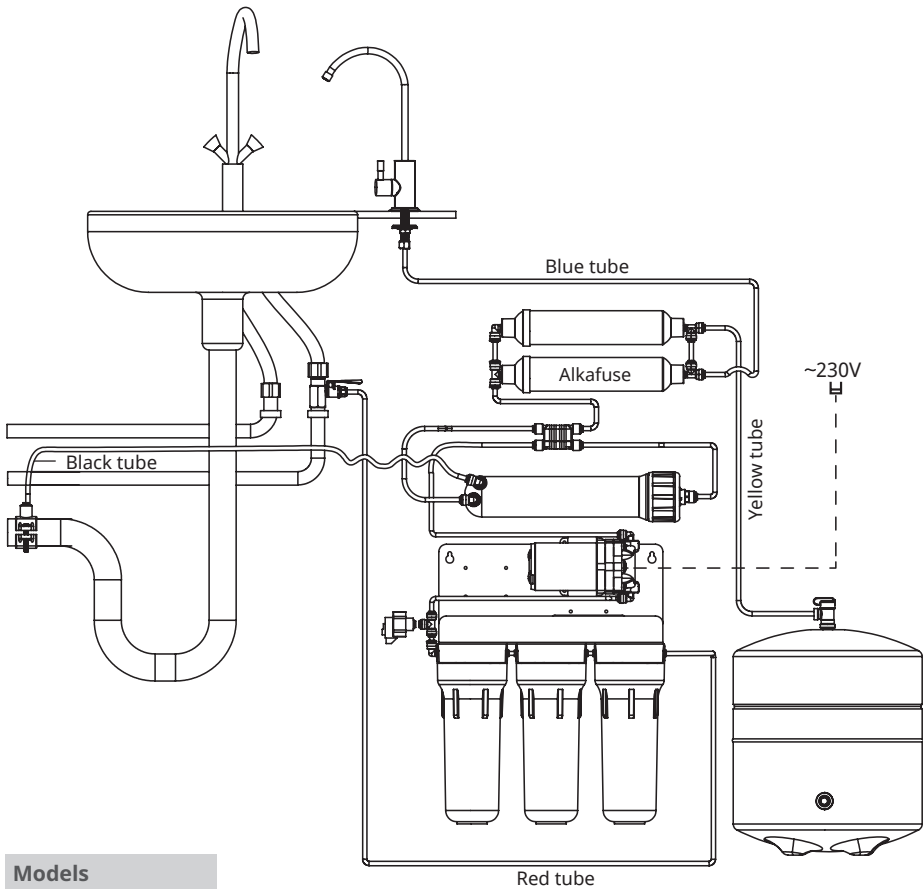
The manufacturer reserves the right to modify product design or specific components, if such modification does not entail deterioration of consumer properties of the product.

\* Models are not certified by WQA

### 3. CONNECTION DIAGRAMS

#### 3.7.1 CONNECTION DIAGRAM FOR THE PURE ALKAFUSE SYSTEM WITH PUMP

EN



- Models**
- MO 6 50 ALK P S
  - MO 6 75 ALK P S
  - MO 6 100 ALK P S\*

The manufacturer reserves the right to modify product design or specific components, if such modification does not entail deterioration of consumer properties of the product.

\* Models are not certified by WQA

## 4. STEPS FOR INSTALLING REVERSE OSMOSIS SYSTEM



**Before installing a domestic reverse osmosis filter please carefully read this instruction.**



**This system must be installed in compliance with local codes.**



**The product should only be used with cold water supply!**

### 4.1. BEFORE COMMENCING INSTALLATION

- 1) Check that all parts are in the package. Do not open the plastic bags with filter parts before you make sure everything is in place to be able to return faulty/incomplete package.
- 2) Check conformity of your local variables to requirements specifications:

Main pressure*	Tank pressure*	Supply water temperature*
Check water pressure at mains before installing the product. Compare to the requirements in paragraph 2.2.	Check pressure in the tank bladder. Compare to the requirements in paragraph 2.2.	Check temperature of supply water. Compare to the requirements in paragraph 2.2.

\*Refer to paragraph 2.2 for recommended measures in case any of the above variables does not meet the requirements.

- verify that your product is as specified in paragraph 2.2;
- verify that your supply water quality\*\* meets the requirements in paragraph 2.3.

\*\*If supply water quality does not meet the requirements, it is necessary to consult with a water treatment specialist.



**3) Reverse osmosis systems must be protected from high pressure and sudden pressure surges caused by local water supply systems. A pressure regulator must be installed at the system's inlet.**

**The optimal operating pressure for the system is 3.5 bar (52.5 psi) the pressure regulator is pre-set to this parameter by the manufacturer. Failure to install a pressure regulator may result in damage to pressure-sensitive components and void the warranty.**

- 4) Before installing the system, make sure there is enough space for both the filter rack and the pressure tank under the sink. In case there is not enough available space, pressure tank can be placed in a separate location provided that the yellow tube's length is sufficient to connect it to the rest of the system.
- 5) Electrical safety notice: This appliance should be connected into a circuit with an RCB installed. Please note voltage requirements.
- 6) Install the system per the guidelines of this manual.
- 7) Before installation, the specialist must record the date, incoming water pressure, water temperature, and the results of the incoming water analysis in the Installation Log (Paragraph 9.1). This information is essential for monitoring the operating conditions of the system, ensuring proper setup, and maximizing filtration efficiency. After installation, the time to fill the tank and the conversion rate should be recorded. This helps assess the system's performance and ensures that any deviations from the norm are detected promptly, which may affect its productivity.
- 8) The unit is to be supplied with single-phase 230 VAC, 50 Hz electrical power.

## 4. STEPS FOR INSTALLING REVERSE OSMOSIS SYSTEM

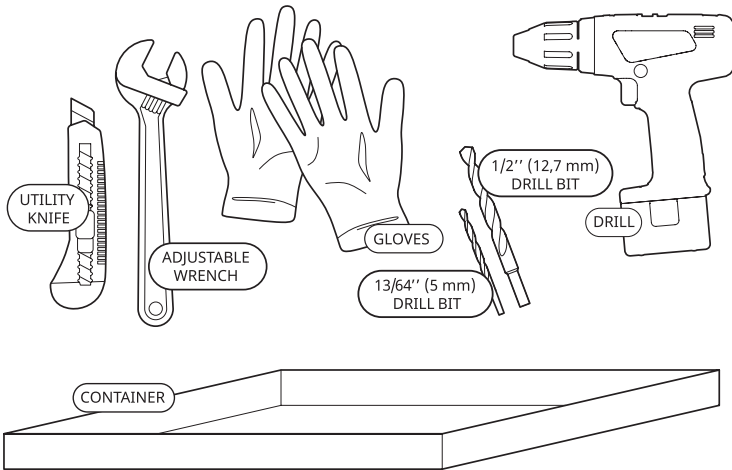
The unit is supplied with power cord and can be connected to a properly installed IEC 60884-1 compliant socket. Electrical specification of the unit can be found on manufacturer's factory sticker. That system and installation must comply with state and local laws and regulations.

### 4.2. INSTALLATION PROCEDURE



**CAUTION!** This system has been tested by the manufacturer for leaks, so within the system the presence of residual water is allowed. Wash your hands thoroughly with anti-bacterial soap before handling tubes, cartridges, and membrane. This system should desirably be installed in places protected from direct sunlight and away from heating appliances.

#### 4.2.1 RECOMMENDED TOOLS FOR INSTALLATION



**Do not allow children under the age of 3 to come into contact with small parts during the installation or maintenance of the filter.** Keep children away from the filter system and its components without adult supervision.

#### 4.2.2 PROCEDURE FOR INSTALLATION

- |           |  |
|-----------|--|
| <b>1.</b> | Remove the reverse osmosis system from its packaging and check the equipment. Do not open the bag with components. Note that you will not be able to claim missing parts if the bag is opened.                   |
| <b>2.</b> | Shut off water supply in your kitchen or whole home and open water faucet where you are going to install the system (e.g., your kitchen sink) for 1 minute to relieve pressure in the system, and then close it. |

## 4. STEPS FOR INSTALLING REVERSE OSMOSIS SYSTEM

3. Screw the feed water adapter **4** into the cold water plumbing. Screw the feed valve **5** into the feed water adapter **4**. To help prevent water leaks use PTFE sealing tape.

Connections size is selected to fit most common size  $\frac{1}{2}$ " and  $\frac{3}{8}$ " pipe. If your pipe is of another size, prepare an appropriate adapter.

Fig. A1

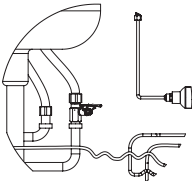


Fig. A2

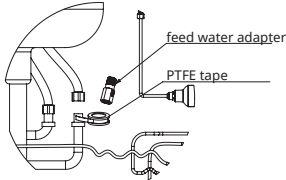
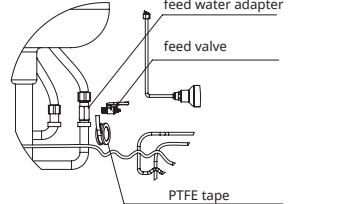
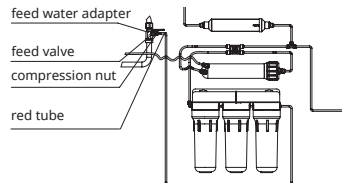


Fig. A3

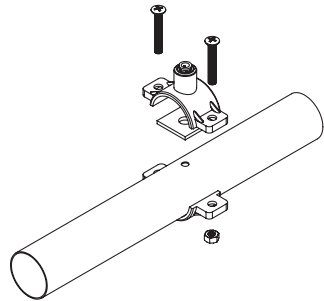


4. Unscrew the compression nut from the feed valve **5** and put it on the red tube. Push the red tube on the end of feed valve's fitting and screw on the compression nut. Connect the free end of the red tube with the quick connect fitting of the first (rightmost) housing in the rack.



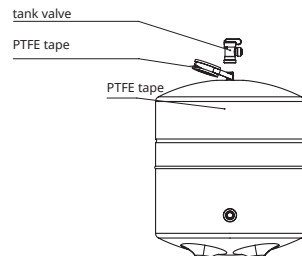
5. Connect the drain saddle **8** with drain pipe from the kitchen sink. The drain saddle is compatible with most standard drain pipes. Drill a hole of 5.0 mm (0.2") diameter in the kitchen sink drain pipe, apply rubber gasket with sticky base (included in the package). Install the drain saddle **8** on the drain pipe over the hole. Tighten screws on drain saddle with a screwdriver. Insert black tube into the connection on the clamp (figure 4). Connect the other end of the black tube with concentrate outlet of membrane housing.

**CAUTION! Check if the flow regulator 12 is installed in the black tube in the end connected to membrane housing.**  
**CAUTION! If RO systems do not use air gap faucets, it is required that they be plumbed in with a physical air gap between the waste water outlet and the drain. This is so if the drain backs up, sewage will not push up into the RO system.**



6. Add 5-6 wraps of PTFE tape to tank knob and hand tighten tank valve – do not overtighten, which may cause damage. Close the tank valve.

**IMPORTANT! Check air pressure in empty tank. Tank should be pressurized to 0.4-0.6 bar (5.8-8.7 psi). If necessary, use a pump with a pressure gauge to increase the pressure or push the core of the valve stem to relieve pressure.**



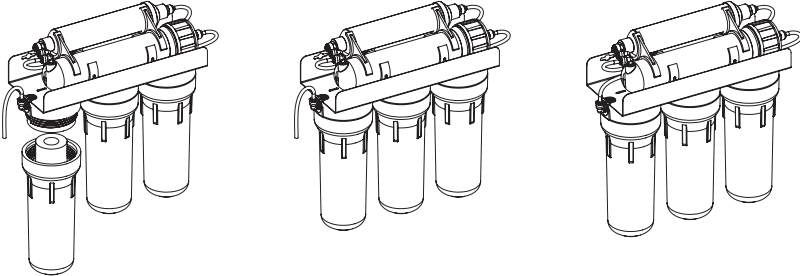
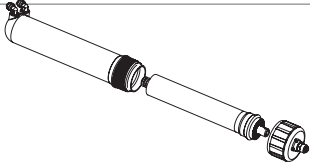
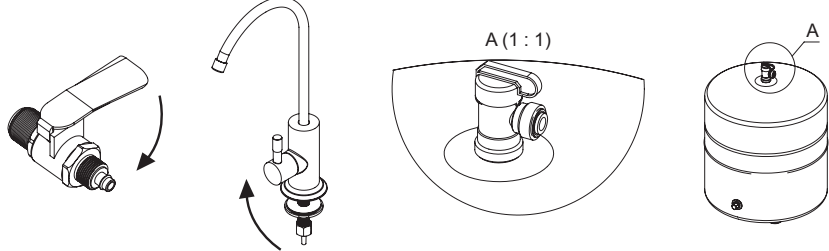


## 4. STEPS FOR INSTALLING REVERSE OSMOSIS SYSTEM

<b>7.</b>	Installation of the faucet.
7.1	<div style="display: flex; align-items: center;"> <p><b>If your sink does not have a hole for the purified water faucet, it must be drilled.</b></p> </div> <p>To install drinking water faucet <b>3</b> drill 12.5 mm (1/2") diameter hole for single way tap or 17 mm (2/3") diameter hole for two way tap in a convenient location at the sink or countertop.                  Caution! Metal filings can damage your unit. Carefully remove them as soon as you have drilled the hole. If the mounting surface is ceramic or stone, you may need a special carbide drill.</p>
7.2	<p>Mount the faucet on the sink or countertop as shown in the figure. Nut, lock washer and plastic washer on the faucet shank must fix the faucet firmly on the surface.</p>
7.3	<p>Take the blue tube, and in the following order, slide on compression nut, ferrule, then insert plastic insert into tube.</p>
7.4	<p>Push the blue tube as deeply as possible into the bottom of the faucet's shank, ensuring the compression nut is in the joint. Screw on the compression nut in order to join the tube to the faucet.</p>
7.5	<p>Installation of the double lever faucet (for models with the corresponding configuration) is done similarly.</p>
<p style="text-align: center; font-size: small;">Choose your option of the facet connection complete set</p>	
<b>8.</b>	<p>Select spot where you are going to install the filter and make two holes. The distance between the holes in the wall must precisely correspond to that between the holes in the bracket. Allow for at least 100 mm (3.9") gap between the bottom of the filter and floor. Install screw anchors if necessary and screw in two screws (not included). The distance between the holes is 272 mm (10.7").</p> <div style="text-align: center; margin-top: 10px;"> </div>
<b>9.</b>	<p>Insert cartridges into the first and the second housings in the direction of water flow (leftwards).</p> <div style="text-align: center; margin-top: 10px;"> </div>
<b>10.</b>	<p>Tighten all the three housings by hand.</p>
<b>11.</b>	<p>Unplug the tube that connects the third housing (in the direction of water flow) with the auto shut-off valve from the valve.</p> <div style="text-align: center; margin-top: 10px;"> </div>

ZEN

#### 4. STEPS FOR INSTALLING REVERSE OSMOSIS SYSTEM

12.	<p>Open the water tap <b>5</b> and let through the first two pre-filters with cartridges 5-7 liters (1.5-2 gallons) of water to wash off the carbon fines (black in colour) that may appear in cartridges during shipping. Then close feed water valve before installing the third cartridge.</p> <p><b>CAUTION! This water will pour through the tube disconnected from auto shut-off valve, prepare a vessel to collect it.</b></p>
13.	<p>Insert the cartridge into the third sump along water flow direction and attach the sump back again. Connect the free end of the tube back to the auto shut-off valve.</p> 
14.	<p>Install membrane <b>11</b> into the membrane housing.</p> <p><b>CAUTION! Cut the plastic bag to install the reverse osmosis membrane. Install the membrane without first unpacking it by pushing it into the housing directly from the bag. Avoid touching the membrane and only hold it covered with the bag.</b></p> 
15.	<p>Leave the feed valve <b>5</b> and purified water faucet <b>3</b> open for 30 minutes. Then open the tank valve <b>6</b>. Close faucet <b>3</b> and carefully check all connections for leaks.</p> <p><b>CAUTION! The first week after installation, check the system daily for leaks, then do it periodically. If you are leaving for a long time such as for a business trip or vacation, shut off the water supply.</b></p> 
16.	<p>Let the water tank get filled (you will hear the water stop flowing). Depending on the water pressure in your water mains may take 1.5 to 3 hours. After that drain all water from the tank by opening the faucet <b>3</b> until the flow goes to a drip or slow dribble. After the tank has been emptied, close the faucet <b>3</b> so that the tank starts re-filling. Depending on the pressure in your water mains, it may take 1.5 to 3 hours. Drain 2-3 tanks of water. After that you can use purified water. In the models of filters with a mineralizing post-filter the purified water can be slightly turbid after installation. Drain several additional tanks of purified water.</p>
17.	<p>Initially your water may appear cloudy which is due to air in the system. If you leave the glass of water for a few minutes, the water will become clear as the air escapes. This is normal and will eventually clear as the air is eventually flushed out of the filters.</p>

## 5. STEPS AFTER INSTALLATION

### VERIFICATION OF THE UNIT'S OPERATING PARAMETERS

1. Measure time needed to fill the tank. Tank is filled when the dumping of the concentrate into the drain has stopped. The value obtained is dependent on the supply water pressure (pressure in water mains).

2. Measure recovery (proportion of supply water that becomes purified). You will need 1 L (1 quart) measuring cup and a stopwatch.

Shut off tank valve 6, open faucet 3 and measure time that the unit takes to produce 1 L (1 quart) of permeate (purified water), then close faucet 3. Write down the result ( $t_{\text{Permeate}}$  in the equation below).

Disconnect the black tube connected to sink drain from drain saddle. Open faucet 3 and measure time that the unit takes to produce 1 L (1 quart) of concentrate (waste water), then close faucet 3 and open tank valve 6. Write down the result ( $t_{\text{Concentrate}}$  in the equation below). Calculate recovery using formula:

$$R, \% = \frac{t_{\text{Concentrate}}}{t_{\text{Permeate}} + t_{\text{Concentrate}}} \times 100 \%$$

Where  $t$  is the number of seconds to obtain 1 L (1 quart) of water,  $R$  is recovery.

3. Measure TDS of supply water and TDS of purified water using a calibrated TDS meter.

4. Check if the auto shut-off valve functions properly. Close tank valve 6 and faucet 3. The unit must stop operating (water should stop being discharged to drain) within 10 minutes.

5. Check the unit for leaks.

6. Advise unit owner on filter maintenance and encourage to read this manual.

7. Make record of commissioning in the maintenance log in paragraph 9 of this book.

8. The reverse osmosis system contains a replacement treatment component, critical for the effective reduction of total dissolved solids and that product water shall be tested periodically to verify that the system is performing properly.

## 6. USAGE

### 1) Purpose of the System

The domestic reverse osmosis system is designed for the post-treatment of cold water only.

### 2) Replacing Pre-Filter Cartridges

If the time to fill the tank has increased, this may indicate that the pre-filter cartridge set has reached the end of its lifespan and needs immediate replacement. Delaying the replacement of the cartridges may cause damage or destruction of the membrane. To avoid such critical situations, we strongly recommend replacing the pre-filter cartridge set at least once every 6 months. It is important that the cartridges are compatible with your filter model.

### 3) Replacing the Reverse Osmosis Membrane

If the filtration rate significantly drops, this may be a sign that the reverse osmosis membrane needs replacement. To ensure stable quality of purified water, it is recommended to replace the reverse osmosis membrane at least every 1 to 1.5 years. If the TDS (Total Dissolved Solids) level in the purified water exceeds the allowable limit, this is also a signal for membrane replacement.

### 4) Disinfection and Replacement of Filter Elements

In the case of long breaks in system operation (longer than 2 weeks), it is necessary to disinfect the system as described in item 7, as well as to replace all filter elements. This will prevent microorganism buildup and ensure high water quality after use. The system disinfection also includes treating pipes and the water tank to prevent bacterial or mold growth.

### 5) Shutting Off the Water Supply During Extended Absence

If you do not plan to use the system for an extended period (more than 2 days, for example, during a vacation or business trip), it is recommended to shut off the water supply to the system. This will help avoid water leakage or potential damage to the system, especially in the case of unforeseen situations, such as pressure fluctuations or connection issues. It is also important to check the tightness of all connections before leaving the system unattended.

### 6) Water Pressure Check

Water should be supplied to the system at a pressure that matches the manufacturer's recommended parameters (usually 2-4.5 bar). If the water pressure is too low, the system may operate inefficiently, and if it is too high, it may damage the membrane. Using a water pressure reducer to adjust the pressure is mandatory.

### 7) Installing a Pressure Regulator Before the Reverse Osmosis System

The reverse osmosis system must be protected from high pressure and sharp pressure fluctuations, which may occur due to local water supply system characteristics. A pressure regulator must be installed at the system's inlet. The optimal working pressure for the system is 3.5 bar (52.5 psi). The absence of a pressure regulator may lead to damage to pressure-sensitive components and void the warranty.

## 6. USAGE

### 8) Do Not Use the System to Purify Water Containing Oils, Solvents, or Aggressive Chemicals

Reverse osmosis is not suitable for purifying water containing organic solvents, oils, or other aggressive chemicals. Such contaminants can damage the membrane and reduce filtration efficiency. Specialized filtration systems are required for purifying water with such pollutants.

### 9) Cleaning External Components

To maintain cleanliness and safety of the system, clean the external components (e.g., the casing, connections) with a soft cloth dampened with a cleaning solution. Avoid using harsh chemicals that may damage the system's surface and components.

### 10) Monitoring System Operation

Periodically check the system's operation, monitor changes in performance, and the water level in the tank. If the system starts working at reduced levels or there are unusual noises or smells, it may signal the need for immediate servicing or component replacement.

### 11) Record the Date and Work Done in the Maintenance Log During Each Service

For convenience and proper system operation, it is recommended to maintain a maintenance log. It should record the dates of cartridge, membrane, and other component replacements, as well as the dates of disinfection and other important maintenance tasks.

### 12) Check the System for Leaks

Check the system for leaks. If any leaks are detected, contact the service team.

#### Warranty Disclaimer:

**The warranty does not cover damages caused by violation of operating conditions, such as using the system for purposes other than intended, improper maintenance or modifications, absence of a pressure regulator, or the use of water containing aggressive chemicals. Failure to follow recommendations regarding cartridge replacement, membrane replacement, water pressure checks, or disinfection may result in the loss of warranty.**

## 6. USAGE

### 6.1. PARTS OF THE FILTER AND THEIR RECOMMENDED CHANGE OUT RATES

Stage of filtration	Name of cartridge	Term for replacement*
First, second, third	Ecosoft Polypropylene melt blown sediment filter 5 micron	Once in 3 month for all models of reverse osmosis systems, except models with AquaGreen technology. Once in 6 month for models with AquaGreen technology
	Ecosoft Granual activated carbon filter	
	Ecosoft AquaGreen carbon-block filter	
	Ecosoft Polypropylene melt blown sediment filter 1 micron	
	Ecosoft CTO Activated carbon block replacement filter	
Fourth	Ecosoft Sediment polypropylene replacement filter 5-micron with bacteriostatic effect	Once a year
	Ecosoft Reverse osmosis membrane* 50 GPD	
	Ecosoft Reverse osmosis membrane* 75 GPD Ecosoft Reverse osmosis membrane* 100 GPD	
Fifth, sixth	Ecosoft Coconut carbon postfilter	Once in 6 month
	Ecosoft Balance	
	Ecosoft Mineralizing postfilter	
	Ecosoft Alkafuse	
	Ecosoft AquaCalcium	

\* This Reverse Osmosis system contains a replaceable treatment component critical for effective reduction of total dissolved solids. The product water shall be tested periodically to verify that the system is performing satisfactorily.



**To purchase replacement components, visit [www.ecosoft.com](http://www.ecosoft.com).**

### REPLACEMENT FILTERS ARE COMPATIBLE WITH DOMESTIC REVERSE OSMOSIS

#### Standard series

Cartridge type	Recommended replacement period*, months	Filter model		
		MO550ECOSTD	MO550PECOSTD	MO650MECOSTD
Pre-filter cartridges	every 3	CPV3ECOSTD or CHV3ECO		
Membrane element	every 12	CSV181250ECO		
Carbon postfilter	every 6	CHV2010ECOPKG		
Mineraliser postfilter	every 6	—	—	PD2010ECOPKG

## 6. USAGE

Cartridge type	Recommended replacement period*, months	Filter model		
		MO550MECOSTD	MO550MPECOSTD	MO550MPSECOSTD
Pre-filter cartridges	every 3		CPV3ECOSTD	
Membrane element	every 12		CSV181250ECO	
Carbon postfilter	every 6	—	—	—
Mineraliser postfilter	every 6		PD2010ECOPKG	

### Absolute series

Cartridge type	Recommended replacement period*, months	Filter model	
		MO675MECO	MO675MPSECO
Pre-filter cartridge set and mineraliser and/or postfilter	every 6		CHV5ECOABS
Pre-filter cartridge set and mineraliser and/or post-filter with membrane element	every 12		CHV6ECOABS

### PURE series

Cartridge type	Recommended replacement period*, months	Filter model		
		MO675MPUREBALECO MO675MBALPSECO	MO675PUREMACECO MO675PSMACECO	MO675ALCPUREECO MO675MALCPSECO
Pre-filter cartridge set and mineraliser and/or postfilter	6	CHV5PUREBAL	CHV5PUREMAC	CHV5PUREALC
Pre-filter cartridge set and mineraliser and/or post-filter with membrane element	12	CHV6PUREBAL	CHV6PUREMAC	CHV6PUREALC

## 6. USAGE



In case of a decline in the quality of incoming water, the replacement filter lifespan may be reduced.



Maintenance of the system should be carried out only by a qualified specialist.



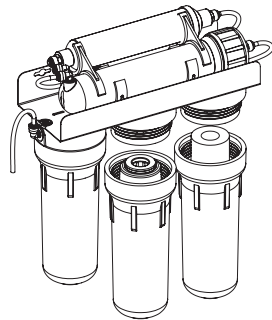
The replacement of pre-treatment cartridges is required every 3 months for all filter models, except for models with the AquaGreen function. For models with AquaGreen, replacement is required every 6 months.



To purchase replacement filters, visit <https://www.ecosoft.com/>

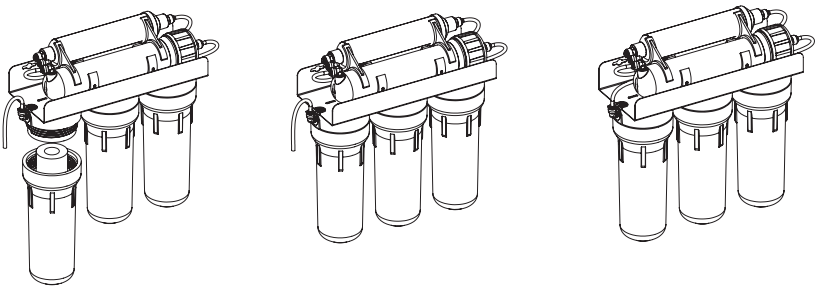
### 6.2. THE PROCEDURE FOR REPLACING PRE-FILTER CARTRIDGES

1.	Shut off feed valve <b>5</b> and tank valve <b>6</b> .
2.	Wash your hands with antibacterial soap.
3.	Unscrew with the sump wrench 10 first and second sumps in water flow direction (right to left). Be careful as the sumps are filled with water.
4.	Remove the used filter cartridges.
5.	Wash sumps with unflavored soap and a clean sponge, then rinse thoroughly with water.
6.	Insert the new cartridges in the first and second sumps by water flow direction.
7.	Disconnect the tube stemming from the third sump from the auto shut-off valve.
8.	Open feed valve <b>5</b> and flush the first two installed cartridges with 5–7 liters (1.5–2 gallons) of water to rinse the carbon dust that may have been produced in cartridges during shipping. <b>CAUTION! This water will pour through the tube disconnected from auto shut-off valve. Prepare a vessel to collect it.</b>





**6. USAGE**

<p>9.</p> <p>10.</p> <p>11.</p>	<p>Remove the third pre-filter's sump from filter head. Be careful as it is filled with water.</p> <p>Remove the used filter cartridge and wash the sump with unscented soap and a clean sponge, then rinse thoroughly with water.</p> <p>Insert new cartridge into the third sump. Screw the sump back on and let through at least 4 more liters of water to flush the carbon dust. Close feed valve <b>5</b> and reconnect the tube with the auto shut-off valve.</p>
	
<p>13.</p>	<p>Open tank valve <b>6</b>.</p>
<p>14.</p>	<p>Open feed valve <b>5</b>.</p>

**6.3. THE PROCEDURE FOR REPLACING MEMBRANE**



**Membrane replacement should be performed by a qualified specialist.**

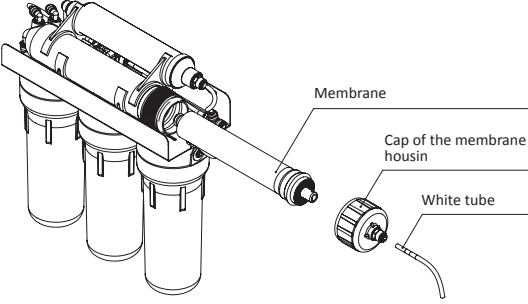


**To purchase replacement filters, visit <https://www.ecosoft.com/>**



**The replacement of the reverse osmosis membrane is recommended once a year.**

## 6. USAGE

1.	Turn off water supply to the system (feed valve <b>5</b> ), shut off the tank valve <b>6</b> .
2.	Open the purified water faucet <b>3</b> to relieve permeate pressure.
3.	Disconnect the white tube from the inlet in membrane housing cap.
4.	Unscrew the membrane housing cap.
5.	Remove the used reverse osmosis membrane <b>11</b> (remember which end of the membrane goes where).
	
6.	Lubricate rubber seals of the fresh replacement membrane and membrane housing cap sealing. <b>CAUTION! To avoid damage to the membrane, only use food grade glycerol as lubricant.</b>
7.	Install the fresh membrane into the housing, observing its direction and position of the tube. <b>CAUTION! Cut the plastic bag to install the reverse osmosis membrane. Install the membrane without first unpacking it by pushing it into the housing directly from the bag. Avoid touching the membrane and only hold it covered with the bag.</b>
8.	Screw on the housing cap.
9.	Connect the white tube to the membrane housing inlet.
10.	Open the water supply tap <b>5</b> .
11.	Open the water supply tap <b>5</b> and the purified water faucet <b>3</b> for 30 minutes. Turn the ball valve <b>6</b> on the tank <b>2</b> to the «Open» position. Close the purified water faucet <b>3</b> and carefully check all connections for leaks.
12.	Close drinking water faucet <b>3</b> .
13.	Open the tank valve <b>6</b> .
14.	Open the feed valve <b>5</b> .
15.	Once the tank is full (you will hear the water stop flowing), drain all water from the tank into the sink by opening faucet <b>3</b> . When the water stops running, close the purified water faucet <b>3</b> so that the tank starts to re-fill. Depending on the pressure in your water mains, filling may take 1.5 to 3 hours. After the second tank re-fill, you can safely use the purified water.

**6. USAGE**

**6.4. THE PROCEDURE FOR REPLACING CARBON POSTFILTER AND/OR MINERALIZING POSTFILTER**



Maintenance of the system should be carried out only by a qualified specialist..

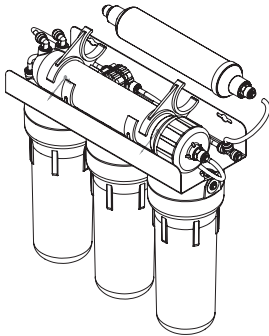


To purchase replacement filters, visit <https://www.ecosoft.com/>



The replacement of the carbon postfilter and remineralizer should be performed every 6 months..

1.	Turn off water supply to the system (feed valve <b>5</b> ), shut off the tank valve <b>6</b> .
2.	Open the purified water faucet <b>3</b> to relieve permeate pressure.
3.	Disconnect the tubes that connect the carbon postfilter / mineralizing postfilter to the rest of the system (remember which goes where).
4.	Remove the used carbon postfilter / mineralizing postfilter from clip brackets.
5.	Install new carbon postfilter / mineralizing postfilter, guided by arrows that indicate the direction of water flow.
6.	Connect the tubes to the new carbon postfilter / mineralizing postfilter to connect it to the system.
7.	Open feed valve <b>5</b> . Open tank valve <b>6</b> .
8.	<p>Once the tank is full (you will hear the water stop flowing), drain all water from the tank into the sink by opening faucet <b>3</b>. When the water stops running, close the purified water faucet <b>3</b> so that the tank starts to re-fill.</p> <p>Depending on the pressure in your water mains, filling may take 1.5 to 3 hours. After the second tank re-fill, you can safely use the purified water.</p> <p>In the models of filters with a mineralizing postfilter the purified water can be slightly turbid after installation. Drain several additional tanks of purified water.</p>



## 7. SANITIZATION OF REVERSE OSMOSIS FILTER



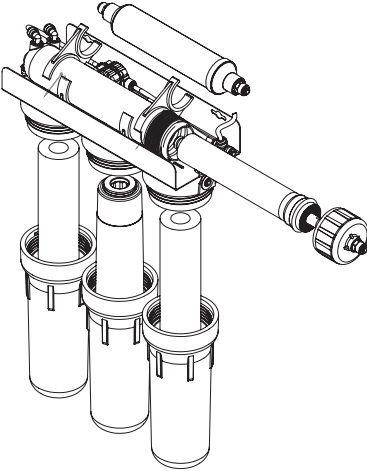
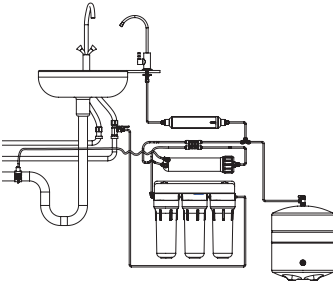
**Maintenance of the system should be carried out only by a qualified specialist.**

Sanitization of the reverse osmosis filter is recommended after it has been in use for an extended period (~ 6 months), and when the filter is not going to be used for 2 or more weeks at a time. It is also desirable to sanitize the system when replacing cartridges.

Using chlorine disinfectant tablets is recommended for reverse osmosis filter sanitization.

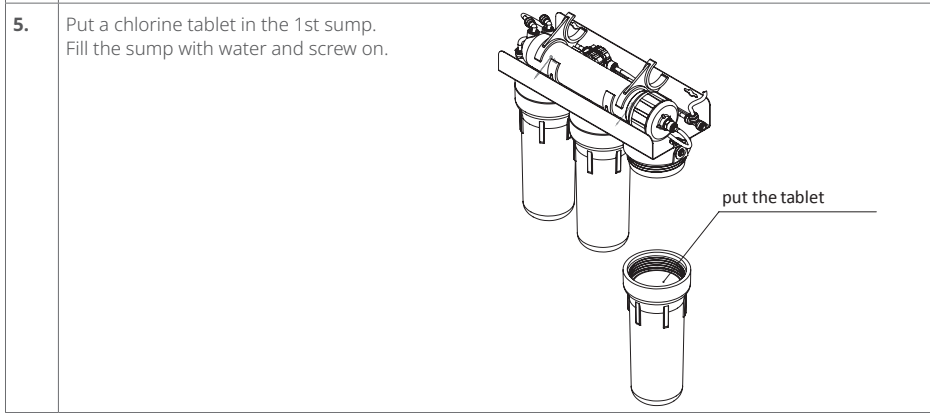
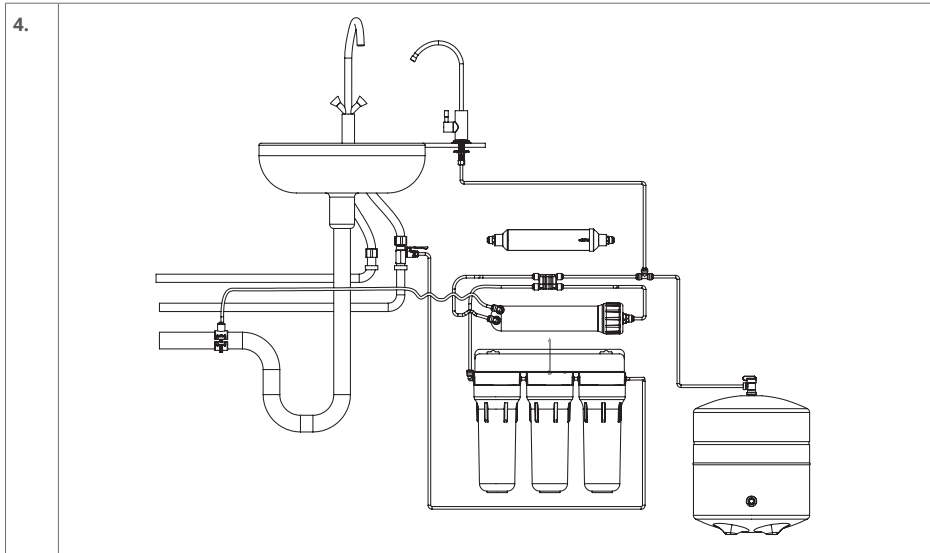


**The disinfectant is harmful! Keep it out of reach of children. After using the disinfectant, wash your hands thoroughly.**

1.	Shut off feed valve <b>5</b> and tank valve <b>6</b> .
2.	<p>Remove and discard the pre-filter cartridges and carbon postfilter.</p> 
3.	<p>Unscrew cap of membrane housing and remove membrane using needlenose pliers if necessary. Put the membrane into a tight bag and store in refrigerator at +2...+5°C (36...41 °F).</p>
4.	<p>Screw back on 2nd and 3rd pre-filter sumps, screw on membrane housing cap, and connect the tube from the faucet directly to the union tee without carbon postfilter.</p> 

**7. SANITIZATION OF REVERSE OSMOSIS FILTER**

NE



6. After 15 minutes, open the drinking water faucet **3** and feed valve **5**.
7. When water running from the faucet **3** starts to smell like chlorine, close both the faucet **3** and feed valve **5**.
8. Leave the system for 2-3 hours.
9. Open faucet **3** and feed valve **5** and let water run until bleach odor is gone.
10. Install all consumable parts back into the system. Open tank valve **6** and feed valve **5**.
11. Drain the tank and re-fill for at least two times (until chlorine odor cannot be smelt).

## 7. SANITIZATION OF REVERSE OSMOSIS FILTER

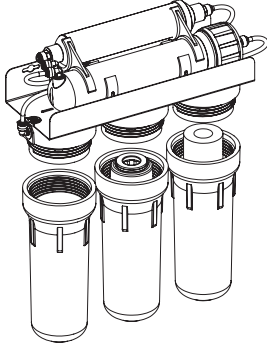
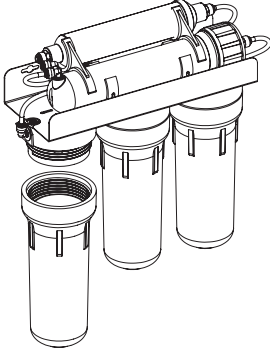
### 7.1. SANITIZATION OF PRESSURE TANK



**Maintenance of the system should be carried out only by a qualified specialist.**

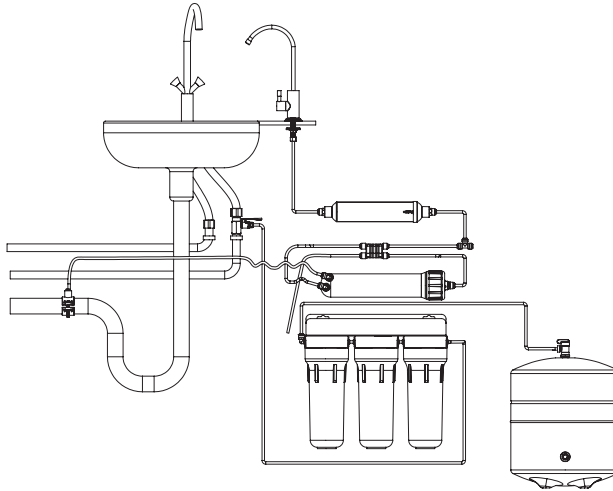


**The disinfectant is harmful! Keep it out of reach of children. After using the disinfectant, wash your hands thoroughly.**

<b>1.</b>	Turn off feed valve <b>5</b> .
<b>2.</b>	Open the faucet <b>3</b> and empty the pressure tank in the drain.
<b>3.</b>	Shut tank valve <b>6</b> .
<b>4.</b>	<p>Extract pre-filter cartridges.</p> <div style="text-align: right; margin-top: 20px;">  </div>
<b>5.</b>	<p>Install 2<sup>nd</sup> and 3<sup>rd</sup> sumps (by water flow direction) back on filter.</p> <div style="text-align: right; margin-top: 20px;">  </div>

## 7. SANITIZATION OF REVERSE OSMOSIS FILTER

**6.** Disconnect the tube going to the storage tank from the union tee before the carbon postfilter, and into 3<sup>rd</sup> pre-filter's outlet.



- |     |  |
|-----|--|
| 7.  | Put a disinfection tablet in the 1st sump. Fill the sump with water and screw on.  |
| 8.  | After 15 minutes, open tank valve <b>6</b> .   |
| 9.  | Open the feed valve <b>5</b> for 5 minutes.  |
| 10. | Close the tank valve <b>6</b> and leave the tank filled with chlorine solution for 1-2 hours.  |
| 11. | Open tank valve <b>6</b> and drain all water from the tank to the sink. Disconnect it from the third pre-filter and restore the original tubing of the system. |
| 12. | Put cartridges in sumps and install the sumps on their heads. Then, open tank valve 6 and feed valve <b>6</b> .  |
| 13. | Drain the tank and re-fill for at least three times (until chlorine odor cannot be smelt).   |



## 8. TROUBLESHOOTING

Problem	Cause	Solution
Fitting leak	Tube is not joined tightly	Remove and rejoin the tube
Drain saddle leak	Drain saddle is not installed properly	Reinstall drain saddle as described in paragraph 4.2 in this manual
Pre-filter sump leak	O-ring seal is lacking or misaligned	Check that the O-ring seal is properly aligned in the groove inside sump
	Sump is not joined tightly	Tighten the sump till snug
Water runs too slowly from the faucet or slows down substantially a few seconds after the faucet is opened	Water supply pressure too low	This RO system requires at least 3 bar to function properly. If necessary, install a pressure booster pump or consult a plumber
	Pre-filter cartridges are clogged	Replace pre-filter cartridges
	Membrane is clogged	Measure permeate flowrate by closing tank valve 6 and opening faucet 3. Use a measuring cup to check if the time it takes to produce 1 L drinking water is as follows: – 8 minutes with 50 gpd membrane; – 5-6 minutes with 75 gpd membrane; – 4 minutes with 100 gpd membrane. If it took twice as long or more to produce 1 liter of water, the membrane may need to be replaced (refer to the store where you bought this product)
	A tube is kinked	Straighten the tube
	Pressure tank is deflated	Pressure in the empty tank should be 0.4-0.6 bar (6-9 psi). Charge the tank to the above pressure
The system will not switch off	Air in the auto shut off valve	The air will go away by itself with continued operation of the system
	Water supply pressure too high	Check your water supply pressure. If necessary, install a pressure regulator or refer to a plumber



## 8. TROUBLESHOOTING



Auto shut-off valve knocks	Pressure surges in water mains	Install a check valve on the main pipe in your kitchen or at the point of entry of your home's water supply. Refer to a plumber.
The system is always on (water is drained continuously)	Water supply pressure too low	This RO system requires at least 3 bar (44 psi) to function properly. If necessary, install a pressure booster pump or consult a plumber
	Pre-filter cartridges are clogged	Replace pre-filter cartridges
	Membrane is clogged	Measure flow of product water by closing the tank valve and opening the faucet. Measured flow rate should correspond to nominal membrane flow rate.
	Missing or misplaced flow restrictor	Flow restrictor must be installed in the tube running from membrane housing to drain. Flow restrictor must face membrane housing. If it faces drain saddle fitting, clean it and swap ends of the tube so that it is placed at the outlet of membrane housing. If flow restrictor was not installed, install one.
	Failure of auto shut-off valve	The RO system operating ceaselessly while the tank is full may be due to automatic shutoff valve failure. Contact the store where you bought this product if no other possible cause can be established
	Failure of check valve in the transition fitting installed at membrane housing permeate outlet	Pressure in the empty tank should be 6-9 psi (0.4-0.6 bar). Charge the tank to the above pressure if necessary
	Pressure tank is deflated	Open drinking water faucet and let some water out. It is normal for the system to stand idle when the pressure tank is full of water.
The system will not turn on (no water runs to sink drain)	Pressure tank is full	Open drinking water faucet and let some water out. It is normal for the system to stand idle when the pressure tank is full of water.
	Flow restrictor is clogged	Clean or replace flow restrictor
	Drain saddle fitting is not centered on drain pipe hole	Correctly position the drain saddle

## 8. TROUBLESHOOTING

Drinking water has a milky or cloudy appearance that goes away after a few minutes	Air in the system	Some air in the system is normal for a few days after the system was installed. In some cases, air bubbles may appear due to supply water being significantly lower temperature than your home's ambient temperature
Water has a taste and/or odor	Carbon postfilter has expired	Replace the postfilter
	Preservative solution in the membrane has not been flushed out	Drain all the water from the tank and let the system re-fill it
	Contamination in reverse osmosis system	Sanitize the system per instructions in section 7
	Contamination in pressure tank	<b>Replace the tank or sanitize per instructions in paragraph 7.1</b>
Pressure tank holds too little water	Tank bladder is overpressurized	Pressure in empty tank should be 0,4-0,6 bar (6-9 psi). Make sure pressure in your tank is in line with the above figures
No water is dispensed from faucet albeit tank is full	Tank bladder is underpressurized	Pressure in empty tank should be 0,4-0,6 bar (6-9 psi). Make sure pressure in your tank is in line with the above figures
	Tank valve is closed	Open tank valve

## 9. SERVICE RECORD

The manufacturer strongly recommends keeping a maintenance log to record all performed tasks, such as system commissioning, replacement of filters and the membrane, disinfection, and other procedures. This information will greatly assist the service technician during diagnostics of your reverse osmosis system and may also be required by the manufacturer in case of warranty claims or system performance deviations.

### 9.1 COMMISSIONING

Commissioning date, DD: MM: YY	Main pressure	Feed water temperature, °C	Presence of pressure reducer	Sanitization performed, YES / NO	Tank fill duration, HH: MM	Recovery, %	Recommendations	Availability of feed water analysis (YES/NO) (date of analysis)	Further information about installed equipment: name, date of installation (Example: pressure regulator, pump, POE water filter, etc.)	Seller's identity	Installer's identity

Installation works were completed. The product was tested and is fully functional. No claims as to product quality and/or installer's performance were encountered.

Owner \_\_\_\_\_  
Signature / Name

Installer \_\_\_\_\_  
Signature / Name

## 9. SERVICE RECORD

### 9.2 MAINTENANCE LOG

Type of job	Consumables used for the job: product, date of manufacture, serial number (example: cartridges, membrane)	Feed water temperature, °C	Feed water pressure	Sanitization performed, YES / NO	Tank fill duration, HH: MM	Recovery, %	Recommendations	Date of maintenance, DD: MM: YY	Servicing company name	Installer's name	Servicing company contact information	Signature

## 10. PERFORMANCE DATA

This system has been tested according to NSF/ANSI 58 for reduction of the substances listed below. The concentration of the indicated substances in water entering the system was reduced to a concentration less than or equal to the permissible limit for water leaving the system, as specified in NSF/ANSI 58.

Substance	Influent Challenge Concentration (mg/L)	Maximum permissible product water concentration mg/L
Arsenic (pentavalent)*	0.30 ± 10%	0.010
Barium*	10.0 ± 10%	2.0
Cadmium*	0.03 ± 10%	0.005
Copper*	3.0 ± 10%	1.3
Chromium (hexavalent and trivalent)*	0.3 ± 10% (hexavalent) 0.3 ± 10% (trivalent)	0.05 (hexavalent) and 0.05 (trivalent)
Fluoride*	8.0 ± 10%	1.5
Lead*	0.15 ± 10%	0.010
Radium 226/228*	25 pCi/L ± 10%	5 pCi/L
Selenium*	0.10 ± 10%	0.05
Turbidity*	11 ± 1 NTU	0.5 NTU

\*Only systems with membrane TW30-1812-50, TW30-1812-75, CSV181250ECO are certified to these reduction claims.

Substance	Influent Challenge Concentration (mg/L)	Minimum Reduction %
TDS (total dissolved solids)	750 ± 40 mg/L	75%

### 10.1 ARSENIC FACTS

#### Occurrence and Forms of Arsenic in Water

Arsenic (As) is a naturally occurring contaminant found in many groundwater sources. It typically exists in two forms, also known as valences or oxidation states: pentavalent arsenic (As(V), As(+5), or arsenate) and trivalent arsenic (As(III), As(+3), or arsenite). In natural groundwater, arsenic may occur as trivalent arsenic, pentavalent arsenic, or a combination of both. Although both forms are harmful to human health, trivalent arsenic is generally considered more dangerous than pentavalent arsenic.

#### Determining Arsenic in Water and System Effectiveness

Consumers using public water supplies can contact their local utility to verify if free chlorine is being used in the water treatment process, which is important for converting trivalent arsenic to pentavalent arsenic. For private water supplies or waters without detectable free chlorine residuals, it is recommended to have the water tested to determine the form of arsenic present. In some cases, additional treatment may be necessary to oxidize trivalent arsenic to pentavalent arsenic for effective removal by the system.

## 10. PERFORMANCE DATA

### Pentavalent Arsenic Removal Claims

Systems are specifically designed to remove pentavalent arsenic from water. It does not convert trivalent arsenic to pentavalent arsenic. Under lab testing conditions, the system was shown to reduce 0.30 mg/L of pentavalent arsenic to 0.010 mg/L (10 ppb) or less, meeting the USEPA standard for safe drinking water. The actual performance of the system may vary at your installation, and it is recommended to test the treated water regularly to ensure the system is functioning properly.

### Conditions That May Affect Performance

The system's ability to remove pentavalent arsenic may vary depending on the specific water quality conditions at the installation site. For instance, the presence of iron or other impurities in the water may affect its performance.

### Arsenic Removal Component and Maintenance

The Reverse Osmosis (RO) component of the TW30-1812-50, TW30-1812-75, CSV181250ECO, CSV181275ECO system is responsible for removing pentavalent arsenic. To maintain the system's effectiveness, the RO component must be replaced regularly, as specified in the user manual. The frequency of replacement and information on where to purchase replacement components can be found in the installation/operation manual.

## 11. ENVIRONMENTAL AND HEALTH SAFETY

The product does not have any chemical, radiological, electrochemical impact on the environment. The product is not regarded as hazardous by their impact on the human body, meets requirements of relevant sanitary legislation for its intended scope of use.

## 12. PURCHASING

Desirably, the product should be purchased from authorized sales establishments. When buying, check integrity of packaging, absence of mechanical damage and other defects, contents of the system (without opening the plastic bags), availability of user documentation, particularly this manual.

## 13. TRANSPORTATION AND STORAGE

Shipping of the product may take place by any means of transport (except unheated during cold seasons in colder climates) in accordance with the rules of transportation of goods, applicable to each type of transport. Observe handling labels when handling and shipping the product. Product should be stored indoors with protection from mechanical damage, impact of moisture and aggressive chemicals. Store this product in the manufacturer's original packaging at ambient temperatures ranging from 5 °C to 40 °C (from 41 °F to 104 °F) and relative humidity up to 80%, at least 1 m (3.3 ft) away from heating equipment.

## 14. WARNING

Dear User,

Before using your reverse osmosis system, please carefully review the following warnings and recommendations. Adhering to these instructions will not only ensure the correct operation of your system but also help you avoid serious issues that could result in equipment damage and loss of warranty coverage.

### 1. User Manual and Local Standards

Before installing and using the reverse osmosis system, carefully read the user manual, local plumbing standards, and regulations, and strictly follow all instructions. Proper adherence ensures safe and efficient system operation and prevents possible injuries or damages. It is recommended to consult qualified professionals for system installation and related tasks.

### 2. Pressure Protection

To ensure proper system operation, it is essential to protect it from high pressure and sudden pressure surges in the water supply network. A pressure regulator must be installed at the inlet. The absence of a pressure regulator may damage system components and void the warranty. The optimal operating pressure for the system is 3.5 bar (52.5 psi).

### 3. Maintenance Log

The manufacturer strongly recommends maintaining a technical maintenance log (Section 9.1) to record all performed activities, such as commissioning, cartridge replacement, membrane replacement, disinfection, and other procedures. This information is vital for technical specialists diagnosing your reverse osmosis system and may be required for warranty claims or troubleshooting.

### 4. Installation by Qualified Professionals

The system must be installed and commissioned exclusively by qualified specialists. It is designed solely for cold water purification.

### 5. Water Analysis

Before using the system, conduct an analysis of the incoming water at a certified laboratory to assess its quality and ensure compliance with the parameters (Section 2) necessary for the system's proper operation.

#### Requirements for water supplied to the reverse osmosis system:

Indicator	Value
pH	6.5–8.5
Mineralization	<1500 ppm
Hardness	<500 ppm CaCO <sub>3</sub> (<28 °dH)
Free chlorine	<0.5 ppm
Iron	<0.3 ppm
Manganese	<0.1 ppm
Chemical oxygen demand	<5 ppm O <sub>2</sub>
Total bacterial count (TBC)	<50 CFU/mL
E. coli titer	<3

## 14. WARNING

### 6. Water Disinfection

Do not use the system to purify microbiologically unsafe water or water of unknown quality without proper prior disinfection.

### 7. Water Pressure Check

Water must be supplied to the system at a pressure recommended by the manufacturer (2–6 bar). The use of a pressure reducer is mandatory.

### 8. Leak Inspection

After installation, check the system for leaks, especially during the first two weeks of use. Perform periodic checks afterward.

### 9. Regular Cartridge Replacement and Maintenance

Pre-filter cartridges should be replaced at least every six months. Timely replacement helps prevent membrane damage and ensures effective system operation (Section 6).

### 10. Reverse Osmosis Membrane Replacement

To maintain consistent water quality, the reverse osmosis membrane must be replaced every 1–1.5 years. If the TDS level in the purified water exceeds 15 mg/L, this signals the need for membrane replacement and consultation with qualified service support (Section 6).

### 11. Disinfection After Extended Downtime

If the system has not been used for more than two weeks, disinfection and complete replacement of filter elements are required (Section 7).

### 12. Shutting Off Water Supply

In case of extended absence (more than two days), it is recommended to shut off the water supply to the system to prevent leaks or damage.

### 13. Limitation of Liability

The manufacturer is not responsible for any incidental or indirect damages caused by non-compliance with explicit or implied warranty conditions or any device defect. This includes damage to the device, loss of time, inconvenience, damage to personal property, loss of income, commercial losses, shipping costs, travel expenses, phone charges, or other similar damages.

### 14. Warranty Attention

Improper installation, the absence of a pressure regulator, untimely component replacement, or failure to follow instructions will result in warranty voidance.

Adhering to these recommendations will ensure the stable operation of your reverse osmosis system and protect you from unwanted issues.



## 15. WARRANTY

We are grateful that you purchased the reverse osmosis system manufactured by Ecosoft. We hope that our system will serve you for a long time and provide your family with the enjoyment of clean drinking water.

### Warranty Period

The warranty period for the product is 12 months from the date of sale through the retail network (unless otherwise specified in the product warranty card).

### Warranty Conditions

The manufacturer guarantees that this water purification system is free from manufacturing defects, and these defects will not appear during the warranty period, provided the system is installed and operated according to the technical requirements and operating conditions.

### Important!

Before using the system, please carefully review:

- The installation and operation manual of the reverse osmosis system,
- The warranty terms,
- Check the accuracy of the warranty card and the availability of a document confirming the purchase (receipt, invoice, delivery note, commissioning report).

### Warranty Card

The warranty card is valid only if:

- The model is correctly specified, the date of sale is indicated,
- Clear stamps of the selling company are present.

### Manufacturer's Responsibility

The manufacturer is not responsible for any damages caused by a defect in the device resulting from the customer's compliance with the requirements of this manual or after the expiration of the warranty period.

### Protection from High Pressure

To ensure proper operation of the system, protection from high pressure and sudden pressure changes in the water supply network is necessary.

It is required:

- A pressure regulator must be installed at the inlet,
- The optimal operating pressure for the system is 3.5 bar (52.5 psi).

### Important!

The absence of a pressure regulator may lead to damage to the system components and void the warranty.

## 15. WARRANTY

### Conditions for Loss of Warranty

Incorrect installation, absence of a pressure regulator, untimely replacement of components, non-compliance with water input requirements, or violation of instructions will result in the loss of warranty.

Warranty obligations do not cover:

- Damage caused by normal wear and tear,
- Breakdowns due to improper use,
- Damage caused by modifications, changes, or repairs made by the buyer or a third party,
- Consumables (cartridges, reverse osmosis membranes, post-carbon filter, remineralizer, and other replaceable elements), whose service life depends on water quality and operating conditions,
- Damage caused by external factors: pressure surges, temperature fluctuations, contamination, mechanical or chemical impacts,
- Electrical equipment without grounding or a voltage stabilizer in the network,
- Failure to comply with storage, transportation, or operation conditions,
- Failures and malfunctions due to untimely replacement of replaceable components or use of elements from other manufacturers.

### Important!

Any claims regarding water quality, taste, and odor of water purified using this filter will only be accepted if supported by an analytical protocol conducted by an accredited laboratory.

### Termination of Warranty Obligation

The warranty obligation is terminated:

- If the product is used for purposes other than its intended use,
- If the operating conditions specified in the passport and operation documents are not followed,
- If the product exceeds the specified technical norms for use (see item **2**),
- If safety rules, storage, or transportation conditions are violated,
- If the product has been repaired or tampered with by an unauthorized service center,
- If the pressure regulator is not installed before the system.

We recommend using the services of authorized service centers for installation and commissioning of the system. If you choose self-installation or installation by third-party service engineers, the warranty may be voided if:

- The system is incorrectly installed, resulting in improper operation or leakage of components,
- The system operates incorrectly due to violation of the sequence of actions during commissioning,
- The pressure regulator is missing before the system.

Following these recommendations will ensure the stable operation of your reverse osmosis system and protect you from unwanted problems.

## 15. WARRANTY

After performing warranty works, the supplier prepares and sends the customer a report listing the completed works and materials that do not require payment. The customer must sign the report and return one copy within 5 calendar days from the moment of receipt.

If the report is not returned or no objections are raised within this period, the work and materials are considered accepted by the customer without comment.



### **WARNING!!!**

**In the case of self-installation of the system, the manufacturer is not responsible and does not accept any claims that may arise due to incorrect installation and improper operation of the system as a whole.**

## 16. CERTIFICATES

### **Certificate NSF from the Water Quality Association (WQA), USA**

System Certified by WQA to CSA B483.1, NSF/ANSI 372, and NSF/ANSI 58 for the reduction of the contaminants listed on the performance data sheet, as verified and substantiated by test data.

### **Conformity certificate for the Ecosoft water treatment systems MO xxx**

Confirms the conformity of the products with essential safety requirements of the EC New Approach Directives.

## СЕРТИФІКАТИ ЕКОСОФТ



PRODUKT Z ATESTEM



Номер  
В.ВК.60110.0920.2024  
дійсний до: 12.08.2027

## ЗМІСТ

<b>1. Призначення системи</b>	<b>54</b>
<b>2. Характеристики та комплектація</b>	<b>56</b>
2.1 Умовні позначення та коди моделей	56
2.2 Технічні характеристики	57
2.3 Якість води	57
2.3.1 Вимоги до води, яка подається на систему зворотного осмосу	57
2.3.2 Склад води після мембрани зворотного осмосу	58
2.3.3 Мінеральний склад води після фільтру з мінералізатором	58
2.4 Комплектація системи зворотного осмосу	59
<b>3. Схеми підключення</b>	<b>61</b>
3.1 Схема підключення системи в базовій комплектації	61
3.2 Схема підключення системи з мінералізатором та подвійним краном	62
3.3 Схема підключення системи з мінералізатором і одинарним краном	63
3.4 Схема підключення системи з помпою (5 ступенів очищення)	64
3.4.1 Схема підключення систем з помпою (6 ступенів очищення)	65
3.5. Схема підключення системи PURE Balance	66
3.5.1 Схема підключення системи PURE Balance з помпою	67
3.6. Схема підключення системи PURE AquaCalcium	68
3.6.1 Схема підключення системи PURE AquaCalcium з помпою	69
3.7. Схема підключення системи PURE Alkafuse	70
3.7.1 Схема підключення системи PURE Alkafuse з помпою	71
<b>4. Послідовність дій під час монтажу системи зворотного осмосу</b>	<b>72</b>
4.1 Перевірка вхідних параметрів	72
4.2 Встановлення	73
4.2.1 Рекомендовані інструменти для встановлення	73
4.2.2 Послідовність дій під час монтажу	73
<b>5. Послідовність дій після монтажу</b>	<b>77</b>
<b>6. Правила експлуатації</b>	<b>78</b>
6.1 Призначення вузлів та їх заміна	80
6.2 Послідовність дій під час заміни картриджів попереднього очищення	82
6.3 Послідовність дій під час заміни мембрани	83
6.4 Послідовність дій під час заміни вугільного картриджа та/або мінералізатора	85
<b>7. Дезінфекція систем зворотного осмосу</b>	<b>88</b>
7.1 Дезінфекція накопичувального бака	88
<b>8. Можливі несправності та способи їх усунення</b>	<b>90</b>
<b>9. Щоденник технічного обслуговування</b>	<b>93</b>
9.1 Введення в експлуатацію	93
9.2 Технічне обслуговування	94
<b>10. Дані про продуктивність</b>	<b>95</b>
10.1 Факти про миш'як	95
<b>11. Безпека здоров'я та навколишнього середовища</b>	<b>96</b>
<b>12. Правила купівлі</b>	<b>96</b>
<b>13. Транспортування та зберігання</b>	<b>97</b>
<b>14. Застереження</b>	<b>97</b>
<b>15. Гарантійні зобов'язання</b>	<b>99</b>
<b>16. Сертифіковані сервісні центри у вашому регіоні</b>	<b>102</b>

## 1. ПРИЗНАЧЕННЯ СИСТЕМИ



**Перед встановленням та використанням фільтра зворотного осмосу уважно ознайомтеся з цим посібником. Дотримання інструкцій забезпечить безпечну та ефективну роботу системи, а також допоможе уникнути можливих травм чи пошкоджень обладнання та майна.**

Зворотний осмос на сьогодні є найбільш довершеною технологією очищення води. Завдяки спеціальній напівпроникній мембрані, подібній за своїми характеристиками до природної мембрани живої клітини, з'явилася можливість ефективно очищувати питну воду фактично від усіх шкідливих домішок, у тому числі вірусів та нітратів (Рисунок 1). Пори такої мембрани у 200 разів менше, ніж віруси, та у 4000 разів менше, ніж бактерії. Фільтри зворотного осмосу працюють за принципом обміну речовин у живому організмі на клітинному рівні. Через мембрану клітини можуть проникати лише молекули певного розміру. Поширені запитання деяких споживачів фільтрів зворотного осмосу щодо того, що така вода позбавлена всіх корисних для організму мікроелементів, не зовсім виправдані, оскільки 96% необхідних людині мінералів надходять з їжею, а не з водою.

Система зворотного осмосу являє собою п'ятиступеневу фільтраційну установку, яка працює за такою схемою (дивись пункт 2.4). Фільтр підключається до водопроводу холодної води за допомогою вхідної муфти 4 та крана подачі води 5. Червона трубка з'єднує кран подачі води з першою (крайньою справа) колбою модуля фільтрації.

Вхідна вода спочатку проходить через картриджі попереднього очищення 9. Картриджі попереднього очищення призначені для видалення механічних домішок, таких як іржа, пісок, мул та інших, видалення з води залишкового хлору, органічних та хлорорганічних сполук.

Після попереднього очищення вода потрапляє на четвертий (та найголовніший) етап — зворотноосмотичну мембрану 11, яка знаходиться у спеціальному корпусі. Корпус мембрани має вхід, який через відсічний клапан (авторегулятор) з'єднується з третьою (крайньою зліва) колбою модуля фільтрації, та два виходи: один для очищеної води (пермеату), а другий — для забрудненої води (концентрату). Мембрана очищає воду на молекулярному рівні, пропускаючи через свої пори лише молекули води та розчиненого кисню.

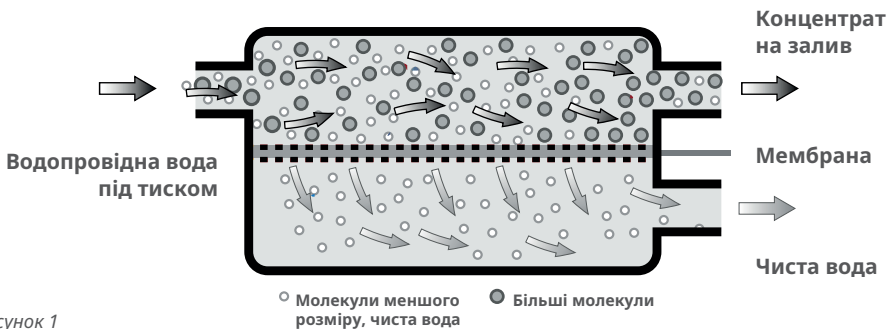


Рисунок 1

## 1. ПРИЗНАЧЕННЯ СИСТЕМИ

Після мембрани потік води розділяється на дві частини — концентрат, який скидається у каналізацію, та пермеат, який потрапляє у накопичувальний бак **2** для зберігання. Бак з'єднується з виходом мембрани через авторегулятор та зворотний клапан, вбудований у перехідний фітинг, який вкручується у вихід корпусу мембрани. Після авторегулятора встановлюється трійник, через який бак підключається до модуля фільтрації за допомогою жовтої трубки. На верхньому патрубку бака встановлений кульовий кран бака **6**.

Бак у складі системи виконує функцію накопичування очищеної води, оскільки мембрана побутового зворотного осмосу в режимі прямого потоку не може забезпечити достатню для споживача продуктивність. Наприклад, якщо у фільтрі встановлена мембрана продуктивністю 50 GPD (7,9 л/год.), склянка об'ємом 200 мл наповнюватиметься більш ніж 1,5 хв. Тому система накопичує очищену воду у баку та надає її споживачеві за потреби, а потім знову формує запас води. Об'єм бака залежить від комплектації системи. Час наповнення бака може коливатися від 1,5 до 3 годин. Після наповнення бака авторегулятор перекриває подачу води через картриджі попереднього очищення на мембрану і система вимикається. Після відкриття крана для очищеної води **3** тиск у накопичувальному баку падає та авторегулятор автоматично відкриває подачу води через картриджі попереднього очищення для поновлення запасу води у баку. Брудна вода (концентрат) скидається у каналізацію через вихід корпусу мембрани, з'єднаний трубкою червоного кольору з дренажним хомутом **8**, який встановлюється на каналізаційній трубі. Для створення протитиску, необхідного для підтримання робочого тиску всередині мембрани, у дренажну лінію встановлюється регулятор потоку **14**, який являє собою пластмасову втулку з каліброваним дросельним отвором. Регулятор потоку встановлюється у чорну трубку з боку підключення до корпусу мембрани.

З накопичувального бака очищена вода через трійник проходить на п'ятий етап очищення — вугільний постфільтр та/або мінералізатор, призначений для фінального очищення води. Вугільний постфільтр містить високоякісне активоване вугілля зі шкаралупи кокосових горіхів. Цей фільтр корегує смак та запах очищеної води, надаючи їй вишуканого солодкуватого присмаку. Вугільний постфільтр з'єднується за допомогою трубки синього кольору з краном очищеної води **3**, який встановлюється безпосередньо на мийці або кухонній стільниці.

Мінералізатор містить природну суміш мінералів Calcite та/або Corosex, а також може включати активоване вугілля залежно від моделі фільтра. Цей компонент фільтра збагачує воду кальцієм і/або магнієм, покращує її смак та сприяє здоров'ю.

## 2. ХАРАКТЕРИСТИКИ ТА КОМПЛЕКТАЦІЯ

### 2.1. УМОВНІ ПОЗНАЧЕННЯ ТА КОДИ МОДЕЛЕЙ

#### Моделі

MO 5 50 (75, 100**)
MO 5 50 (75, 100**) P
MO 6 50 (75, 100**) M
MO 6 50 (75, 100**) MAC
MO 6 50 (75, 100**) MP

#### Модель вашої системи

**MO X YYY ZZZZ AAA BVB**

**MO** — Тип фільтра. MO — зворотний осмос

**X** — Кількість ступенів очищення

**YYY** — Продуктивності зворотноосмотичної мембрани в GPD (галонів на добу)\*:

<b>50GPD</b>	190 літрів на добу	7,9 літрів на годину
<b>75GPD</b>	280 літрів на добу	11,6 літрів на годину
<b>100GPD</b>	380 літрів на добу	15,8 літрів на годину

\* Продуктивність системи зворотного осмосу в цілому має змінний характер та залежить від ряду факторів, а саме: якості вхідної води; стану (зношеності, забиття) картриджів попереднього очищення та мембранного елемента; тиску води на вході, температури води, що подається на фільтр.

**ZZZZ** — Умовні позначення додаткової комплектації:

<b>M</b>	Система додатково оснащена мінералізатором
<b>MAC</b>	Система з технологією мінералізації PURE AquaCalcium
<b>MBAL</b>	Система з технологією мінералізації PURE Balance
<b>ALK</b>	Система з технологією мінералізації PURE Alkafuse
<b>P</b>	Система додатково оснащена помпою для підвищення тиску

**AAA** — Торгова марка

**BVB** — Мовна версія

**S** — Система розміщена на металевій станині

**Наприклад:** кодування MO575PSECO означає, що у комплекті системи зворотного осмосу з 5 ступенями очищення встановлена мембрана продуктивністю 75 галонів на добу (11,6 л/год.), з додаткових опцій включені: мінералізатор, та помпа для підвищення тиску. Торгова марка Ecosoft.

\*\* Моделі, оснащені помпою для підвищення тиску (містять літеру "P" в моделі), призначені для підключення до однофазної електромережі змінного струму з напругою 230 В / 50 Гц.



**Система укомплектована кабелем живлення з вилкою та може бути включена до встановленої належним чином розетки з заземленням, яка відповідає стандарту. ПЕРЕД ПРОВЕДЕННЯМ БУДЬ-ЯКИХ РОБІТ СИСТЕМУ ПОТРІБНО ВІДКЛЮЧИТИ ВІД ДЖЕРЕЛА ЖИВЛЕННЯ.**

\*\*\* Моделі, не сертифіковані WQA



#### **УВАГА!**

**Встановлення та запуск даної системи має виконуватися спеціалістом, який має відповідну кваліфікацію та необхідний досвід. Система призначена для очищення холодної води!**



## 2. ХАРАКТЕРИСТИКИ ТА КОМПЛЕКТАЦІЯ

### 2.2. ТЕХНІЧНІ ХАРАКТЕРИСТИКИ

Найменування параметра	Значення
Тиск на вході для системи без помпи, бар	3–6*
Тиск на вході для системи з помпою, бар	2–4,5*
Тиск у мембранному баку, бар	0,4–0,6**
Температура вхідної води, °C	+4... +30***
Вага системи, кг (у базовій комплектації)	6
Припустима температура навколишнього середовища, °C	+5...+40***
Зовнішнє підключення до водопроводу, дюймів	Різьбове, 1/2", 3/8"
Габаритні розміри системи, В x Ш x Г (базова комплектація), мм	350x450x150
Габаритні розміри бака, В x Ш x Г, мм	350x260x260

\* Якщо тиск у системі водопостачання нижчий за указане значення, необхідно вибрати систему з помпою або додатково встановити помпу. Якщо тиск у системі водопостачання вищий за вказане значення, необхідно встановити регулятор тиску на вході перед системою зворотного осмосу.

\*\* Якщо тиск вищий або нижчий, ніж указаний, необхідно підкачати або «стравити» тиск.

\*\*\* Якщо температура вхідної води визначається у діапазоні +20...+30 °C, незначним чином знижується селективність мембрани та збільшується продуктивність, що спричиняє незначне збільшення показника TDS. Використання системи у випадках коли температура вхідної води перевищує +30 °C — не рекомендовано.



**Систему зворотного осмосу необхідно захистити від високого тиску та різких перепадів тиску, які можуть виникати через особливості місцевої системи водопостачання. На вході системи обов'язково має бути встановлений регулятор тиску.**

Оптимальний робочий тиск для системи становить 3,5 бар (52,5 psi) — регулятор тиску налаштований виробником на цей параметр. Відсутність регулятора тиску може призвести до пошкодження компонентів, що працюють під тиском, і до втрати гарантії.

### 2.3. ЯКІСТЬ ВОДИ

#### 2.3.1. ВИМОГИ ДО ВОДИ, ЯКА ПОДАЄТЬСЯ НА СИСТЕМУ ЗВОРОТНОГО ОСМОСУ\*

Найменування показника	Значення**
pH	6,5–8,5
Мінералізація, мг/л	<1500
Твердість, мг-екв/л	<10,0
Вільний хлор, мг/л	<0,5
Залізо, мг/л	<0,3
Марганець, мг/л	<0,1
Перманганатна окиснюваність, мг O <sub>2</sub> /л	<5
Загальне мікробне число (ЗМЧ), КУО/мл	<50
Coli-індекс, КУО/100 мл	<3

\* Якщо показники води, що подається на систему, не відповідають указаним вимогам, строк служби мембрани та картриджів може зменшитися.

\*\* Перед встановленням фільтра обов'язково проведіть аналіз водопровідної води в сертифікованій лабораторії. Це дозволить визначити її якість та відповідність параметрам, рекомендованим для коректної роботи системи.

## 2. ХАРАКТЕРИСТИКИ ТА КОМПЛЕКТАЦІЯ

### 2.3.2. СКЛАД ВОДИ ПІСЛЯ МЕМБРАНИ ЗВОРОТНОГО ОСМОСУ\*

Найменування показника	Значення
рН	5,5–6,5
Мінералізація, мг/л	5-15
Кальцій, мг/л	<2
Магній, мг/л	<1
Натрій + Калій, мг/л	<5

\* Показники визначено за наступних умов: температура вхідної води 25°C, склад вхідної води і параметри роботи фільтру відповідають рекомендованим виробником.

### 2.3.3. МІНЕРАЛЬНИЙ СКЛАД ВОДИ ПІСЛЯ ФІЛЬТРУ З МІНЕРАЛІЗАТОРОМ\*

Найменування показника	Мінералізатор Ecosoft	AquaCalcium	Pure Balance	Pure Alkafuse
рН	6,5–7,5	7–7,5	7–8,5	>8,5***
Мінералізація, мг/л	20–30**	55–65**	60–80	60–120
Кальцій, мг/л	<10,0	10–15	10–15	5–15
Магній, мг/л	—	—	4-6	5–15



#### Зверніть увагу!

Зміни смаку та запаху очищеної води після заміни вугільного постфільтра та мінералізатора пов'язані з максимальною ємністю фільтрувального матеріалу на початку ресурсу картриджів. Протягом експлуатації картриджів мінералізація та органолептичні показники води поступово знижуються.

**Дотримуйтесь регламенту сервісного обслуговування вашого фільтра для забезпечення стабільної якості очищеної води.**

\* Показники визначено за наступних умов: температура вхідної води 20°C, склад вхідної води і параметри роботи фільтру відповідають рекомендованим виробником, інтенсивність споживання води — сім'я з трьох осіб. При зниженні температури вхідної води в зимовий період вміст мінералів в очищеній воді може бути меншим, а при підвищенні температури в літній період — вищим.

\*\* Після простою фільтра понад годину вміст мінералів в першій склянці очищеної води у вигляді мутності, може бути вищим вказаних значень, оскільки за цей період може розчинитись більша кількість мінералів. Це нормально і не погіршує якість очищеної води.



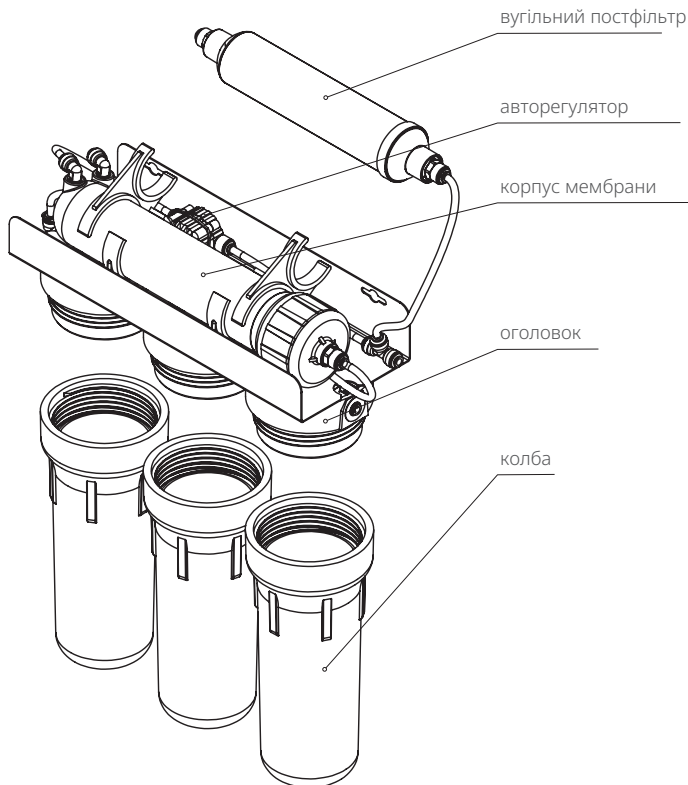
**\*\*\* Перед споживанням води з рівнем рН>8,5 проконсультуйтеся з лікарем.**

## 2. ХАРАКТЕРИСТИКИ ТА КОМПЛЕКТАЦІЯ

### 2.4. КОМПЛЕКТАЦІЯ СИСТЕМИ ЗВОРОТНОГО ОСМОСУ

Виробник залишає за собою право внесення змін у конструкцію/комплектацію виробу, у випадку якщо ці зміни не спричиняють погіршення споживчих властивостей виробу.

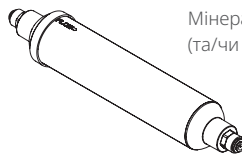
#### 1) Модуль фільтрації



#### Опції:



Помпа



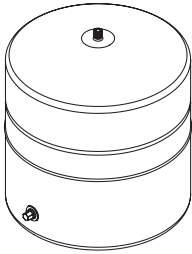
Мінералізатор  
(та/чи інший постфільтр)\*

\* В залежності від вашої комплектації.

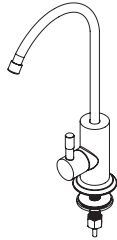
## 2. ХАРАКТЕРИСТИКИ ТА КОМПЛЕКТАЦІЯ

### 2.4. КОМПЛЕКТАЦІЯ СИСТЕМИ ЗВОРОТНОГО ОСМОСУ

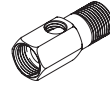
2) Накопичувальний бак



3) Кран для очищеної води



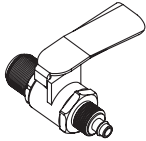
4) Вхідна муфта 1/2"



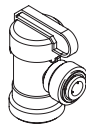
4.1) Вхідна муфта 3/8"



5) Кран подачі води



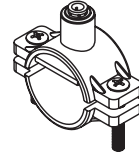
6) Кульовий кран бака



7) Комплект кольорових трубок

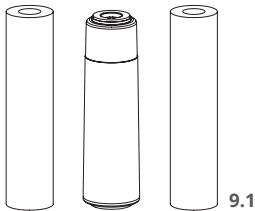


8) Дренажний хомут



9) Комплект картриджів попереднього очищення (залежить від моделі системи)

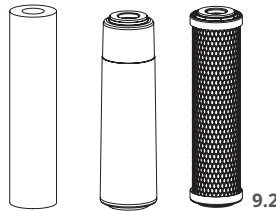
Для серії Standard



PP5 CPV25105  
GAC CHV2510  
PP1 CPV25101

9.1

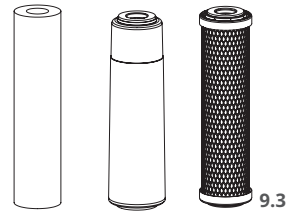
Для серії Absolute



PP5-B CPV25105BECO  
GAC CHV2510  
CTO AquaGreen

9.2

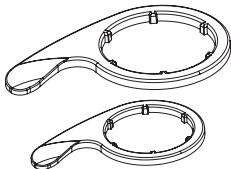
Для серії PURE



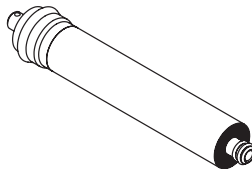
DGD-PP20/5 CPV2510205ECO  
GAC CHV2510  
CTO AquaGreen

9.3

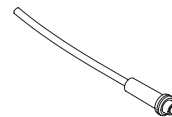
10) Ключі для корпусів префільтрів та мембрани



11) Зворотноосмотична мембрана



12) Регулятор потоку (вставлений у трубку чорного кольору)



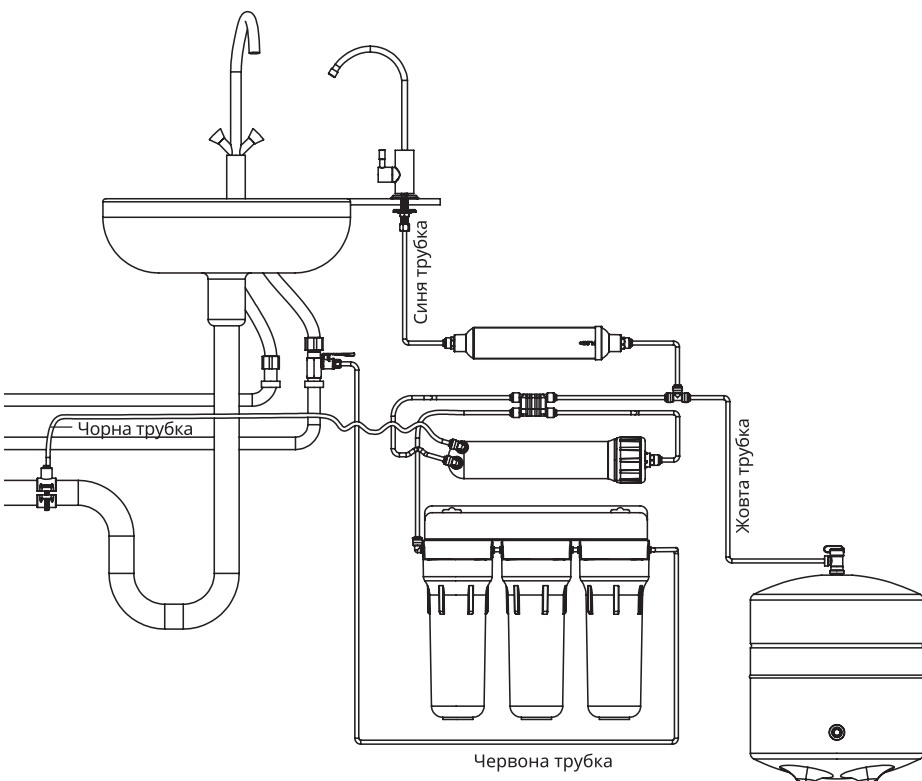
**13) Стопорна кліпса:** аксесуар, змонтований у модулі фільтрації, який служить для захисту від можливого від'єднання трубки у легко доступних місцях. Наявність кліпси не впливає на герметичність з'єднання. Кількість кліпс у виробі може змінюватися залежно від конструкції системи зворотного осмосу, що не впливає на працездатність.



### 3. СХЕМИ ПІДКЛЮЧЕННЯ

#### 3.1. СХЕМА ПІДКЛЮЧЕННЯ СИСТЕМИ В БАЗОВІЙ КОМПЛЕКТАЦІЇ

Перед початком підключення ознайомтесь з наступною схемою підключення, що відповідає моделі вашого фільтра.



#### Моделі

МО 5 50

МО 5 50 М

МО 5 75

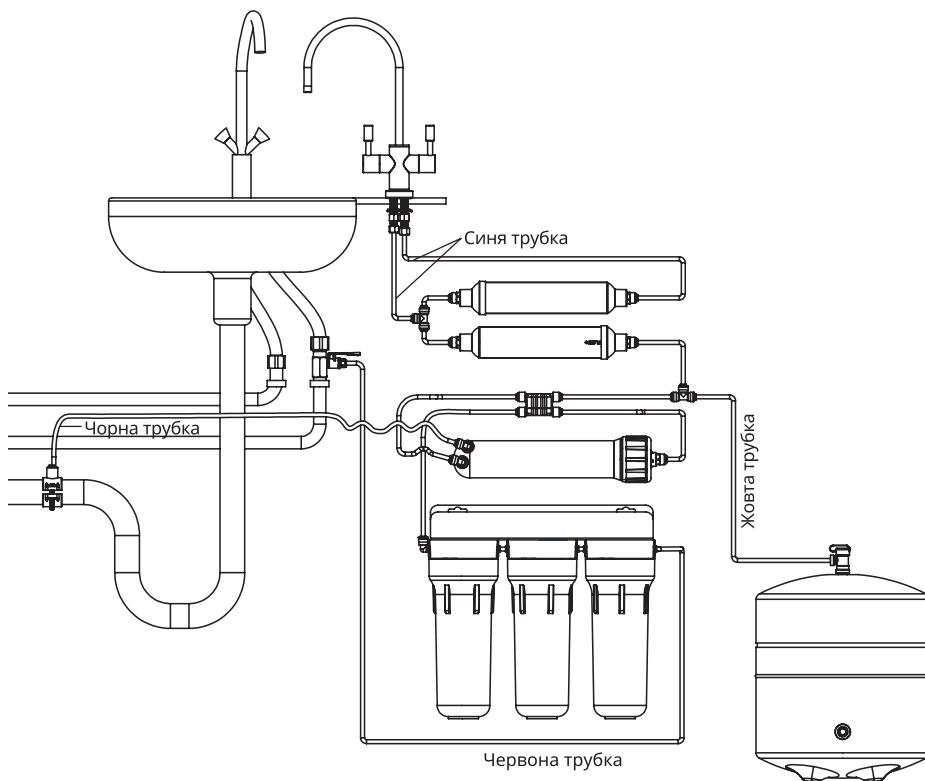
МО 5 100\*

Виробник залишає за собою право внесення змін у конструкцію/комплектацію виробу, у випадку якщо ці зміни не спричиняють погіршення споживчих властивостей виробу.

\* Модель фільтра не сертифікована WQA

### 3. СХЕМИ ПІДКЛЮЧЕННЯ

#### 3.2. СХЕМА ПІДКЛЮЧЕННЯ СИСТЕМИ З МІНЕРАЛІЗАТОРОМ ТА ПОДВІЙНИМ КРАНОМ



#### Моделі

МО 6 50 М

МО 6 75 М

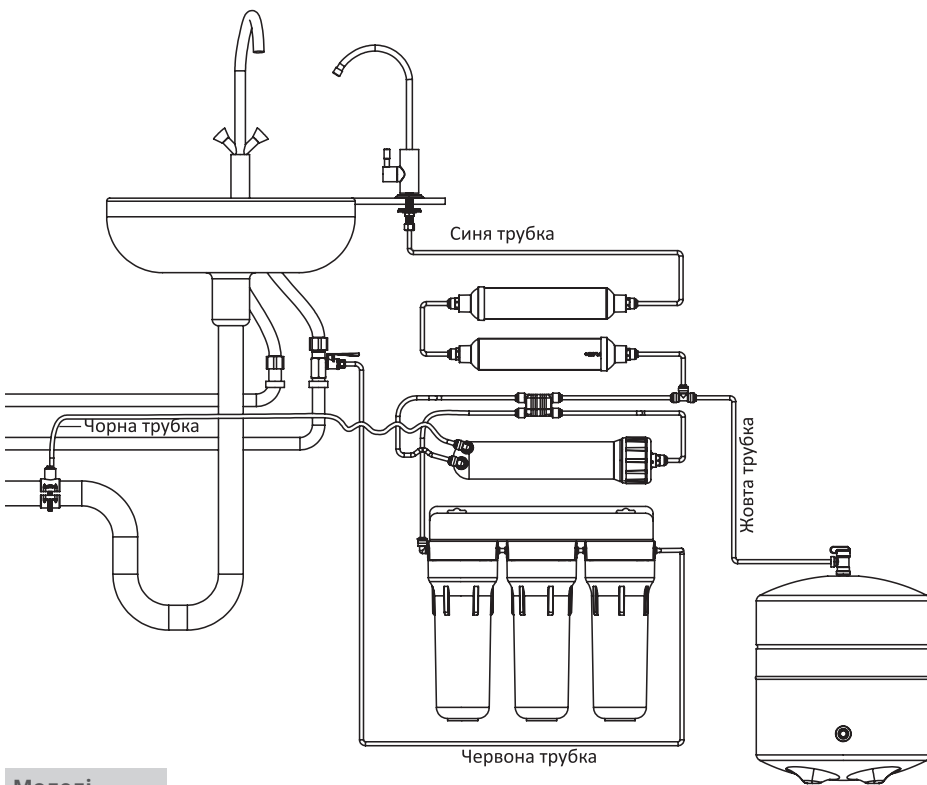
МО 6 100 М\*

Виробник залишає за собою право внесення змін у конструкцію/комплектацію виробу, у випадку якщо ці зміни не спричиняють погіршення споживчих властивостей виробу.

\* Модель фільтра не сертифікована WQA.

### 3. СХЕМИ ПІДКЛЮЧЕННЯ

#### 3.3. СХЕМА ПІДКЛЮЧЕННЯ СИСТЕМИ З МІНЕРАЛІЗАТОРОМ І ОДИНАРНИМ КРАНОМ



#### Моделі

МО 6 50 М

МО 6 75 М

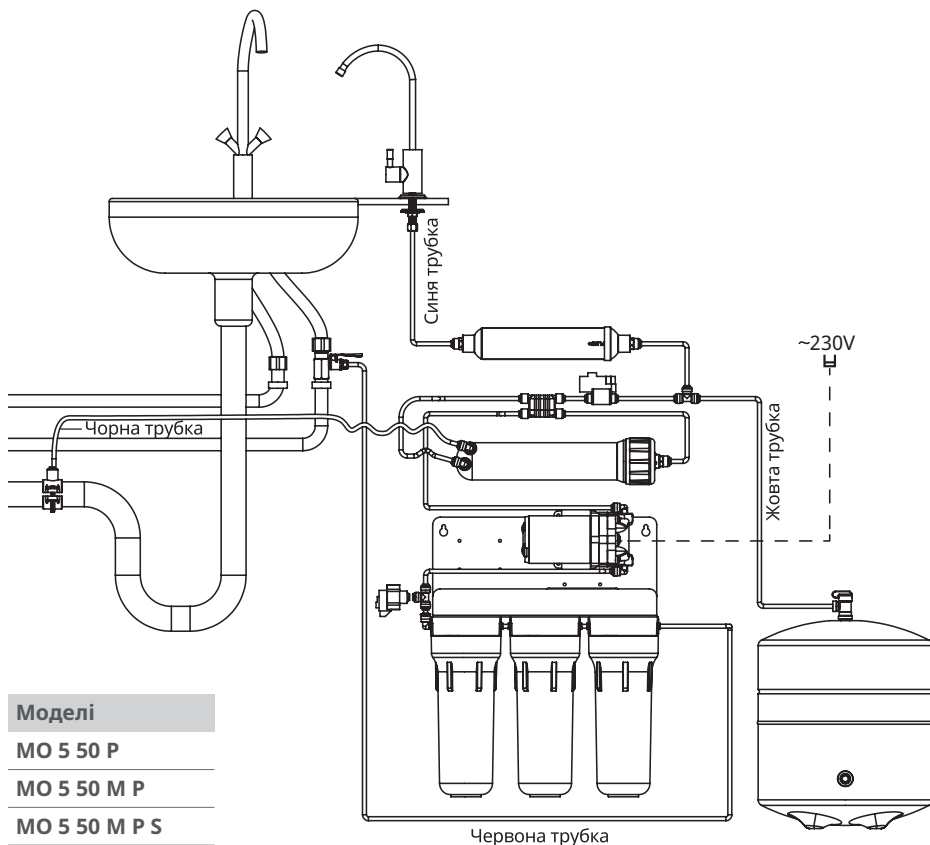
МО 6 100 М\*

Виробник залишає за собою право внесення змін у конструкцію/комплектацію виробу, у випадку якщо ці зміни не спричиняють погіршення споживчих властивостей виробу.

\* Модель фільтра не сертифікована WQA.

### 3. СХЕМИ ПІДКЛЮЧЕННЯ

#### 3.4. СХЕМА ПІДКЛЮЧЕННЯ СИСТЕМИ З ПОМПЮ (5 СТУПЕНІВ ОЧИЩЕННЯ)



#### Моделі

МО 5 50 P

МО 5 50 M P

МО 5 50 M P S

МО 5 75 P

МО 5 75 M P

МО 5 75 M P S

МО 5 100 P\*

МО 5 100 M P\*

МО 5 100 M P S\*

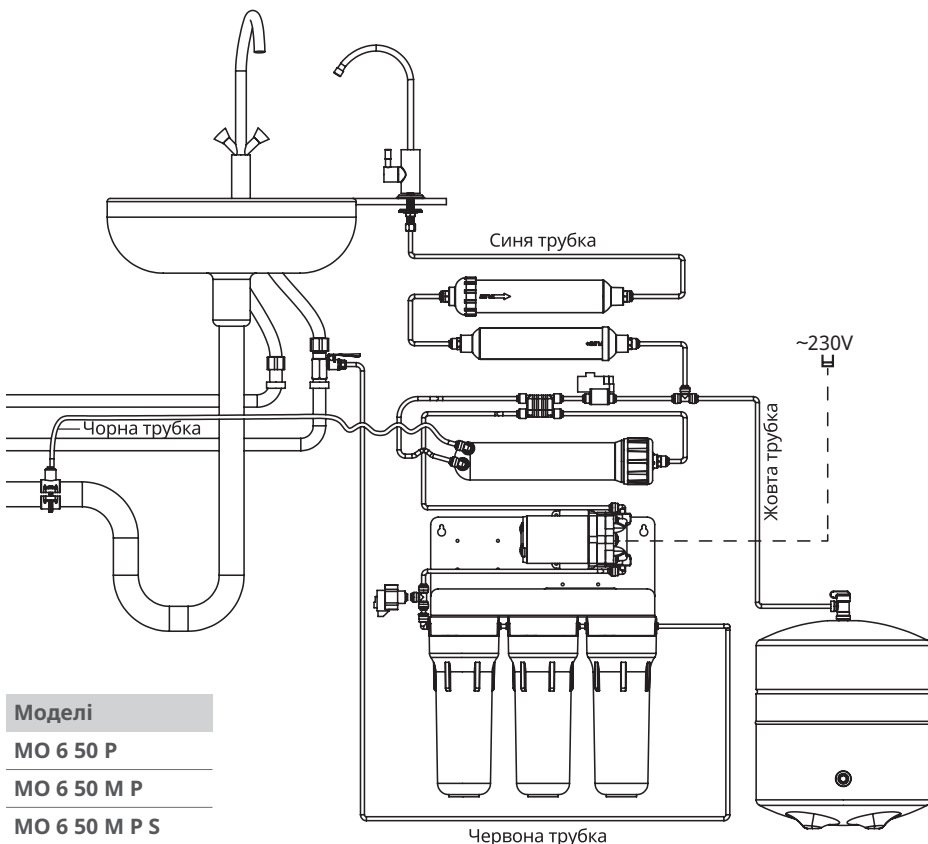
Виробник залишає за собою право внесення змін у конструкцію/комплектацію виробу, у випадку якщо ці зміни не спричиняють погіршення споживчих властивостей виробу.

\* Модель фільтра не сертифікована WQA



### 3. СХЕМИ ПІДКЛЮЧЕННЯ

#### 3.4.1 СХЕМА ПІДКЛЮЧЕННЯ СИСТЕМ З ПОМПЮЮ (6 СТУПЕНІВ ОЧИЩЕННЯ)



#### Моделі

МО 6 50 P

МО 6 50 M P

МО 6 50 M P S

МО 6 75 P

МО 6 75 M P

МО 6 75 M P S

МО 6 100 P\*

МО 6 100 M P\*

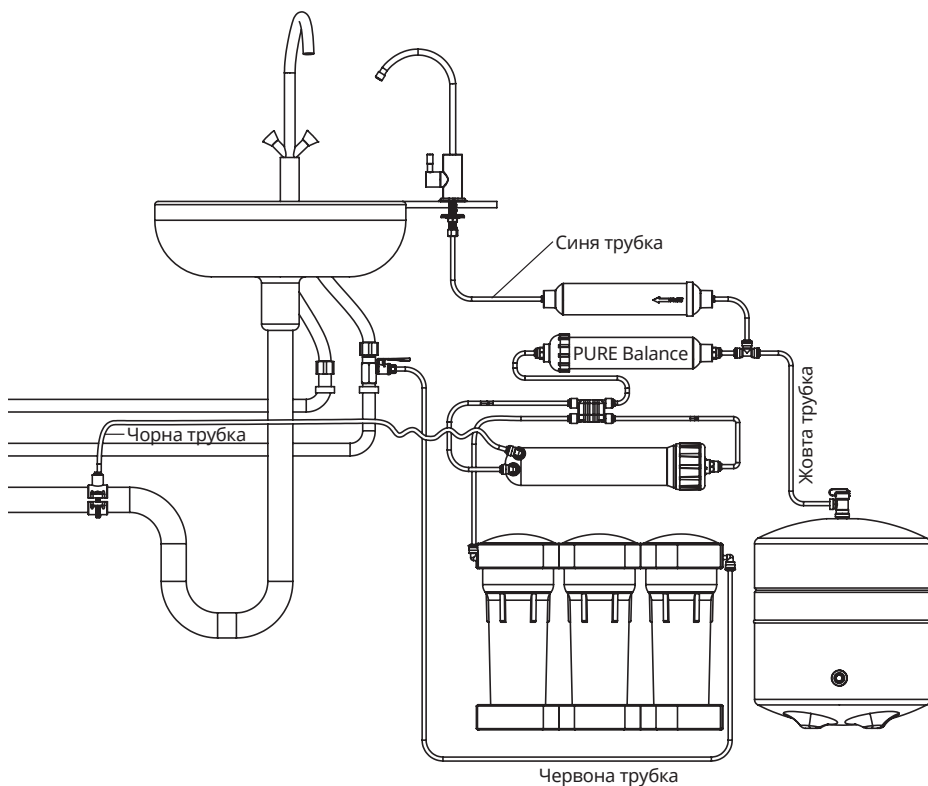
МО 6 100 M P S\*

Виробник залишає за собою право внесення змін у конструкцію/комплектацію виробу, у випадку якщо ці зміни не спричиняють погіршення споживчих властивостей виробу.

\* Модель фільтра не сертифікована WQA

### 3. СХЕМИ ПІДКЛЮЧЕННЯ

#### 3.5. СХЕМА ПІДКЛЮЧЕННЯ СИСТЕМИ PURE BALANCE



#### Моделі

МО 6 50 M VAL

МО 6 75 M VAL

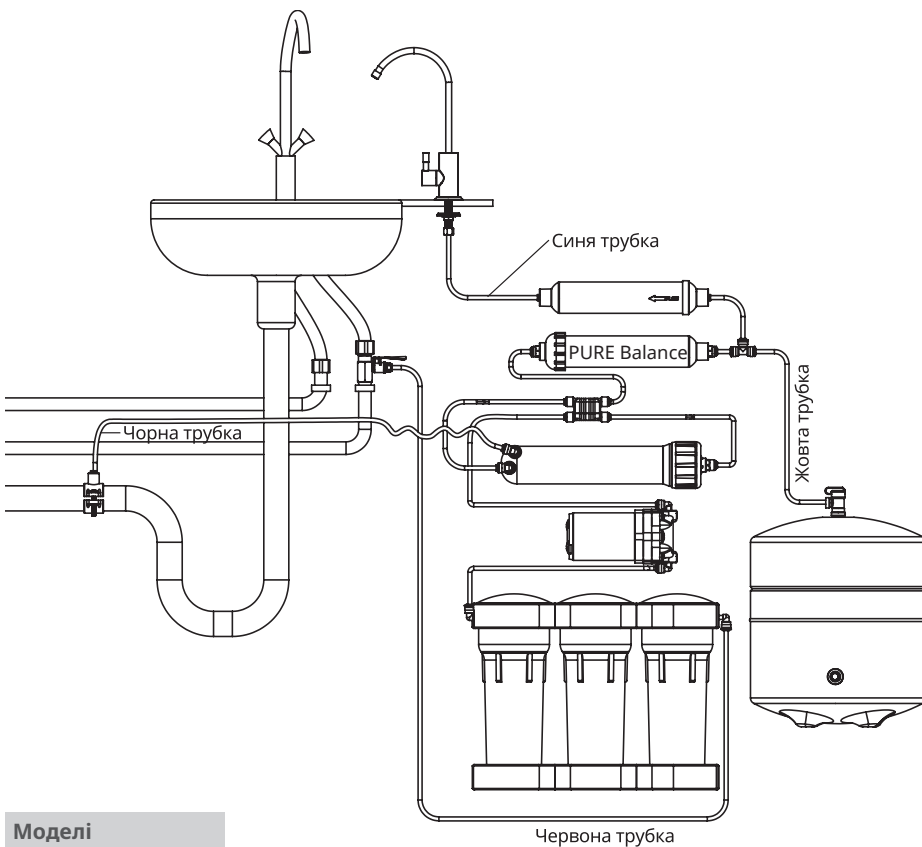
МО 6 100 M VAL\*

Виробник залишає за собою право внесення змін у конструкцію/комплектацію виробу, у випадку якщо ці зміни не спричиняють погіршення споживчих властивостей виробу.

\* Модель фільтра не сертифікована WQA

### 3. СХЕМИ ПІДКЛЮЧЕННЯ

#### 3.5.1 СХЕМА ПІДКЛЮЧЕННЯ СИСТЕМИ PURE BALANCE З ПОМПЮ



#### Моделі

МО 6 50 М Р ВАL

МО 6 75 М Р ВАL

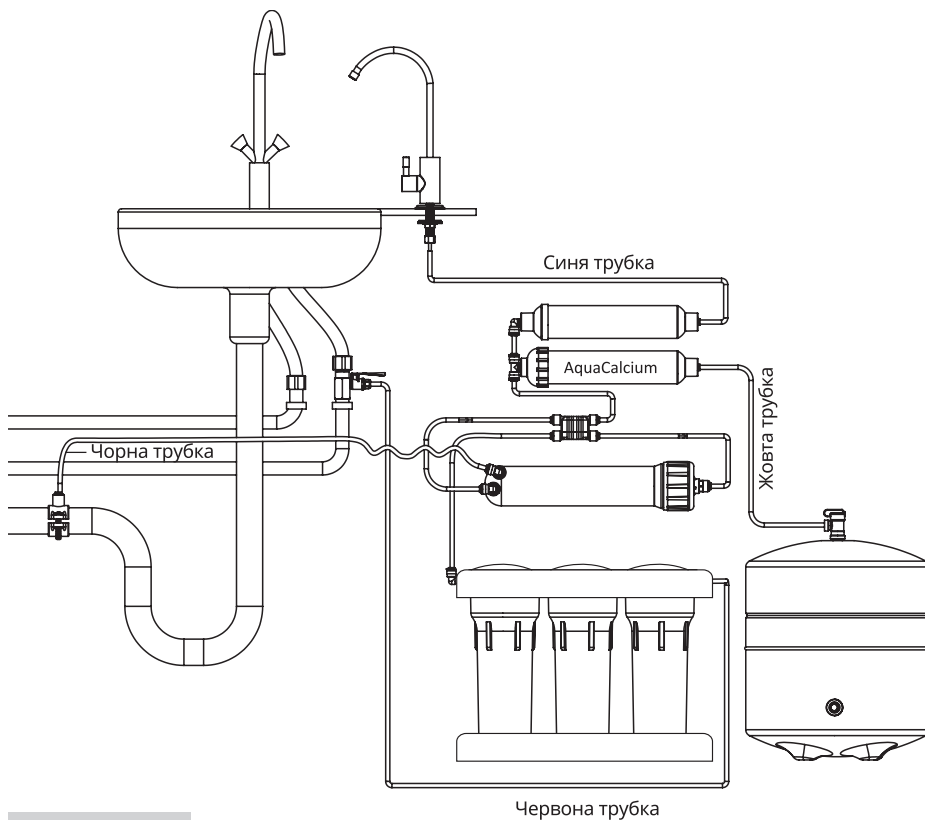
МО 6 100 М Р ВАL\*

Виробник залишає за собою право внесення змін у конструкцію/комплектацію виробу, у випадку якщо ці зміни не спричиняють погіршення споживчих властивостей виробу.

\* Модель фільтра не сертифікована WQA

### 3. СХЕМИ ПІДКЛЮЧЕННЯ

#### 3.6. СХЕМА ПІДКЛЮЧЕННЯ СИСТЕМИ PURE AQUACALCIUM



#### Моделі

МО 6 50 МАС

МО 6 75 МАС

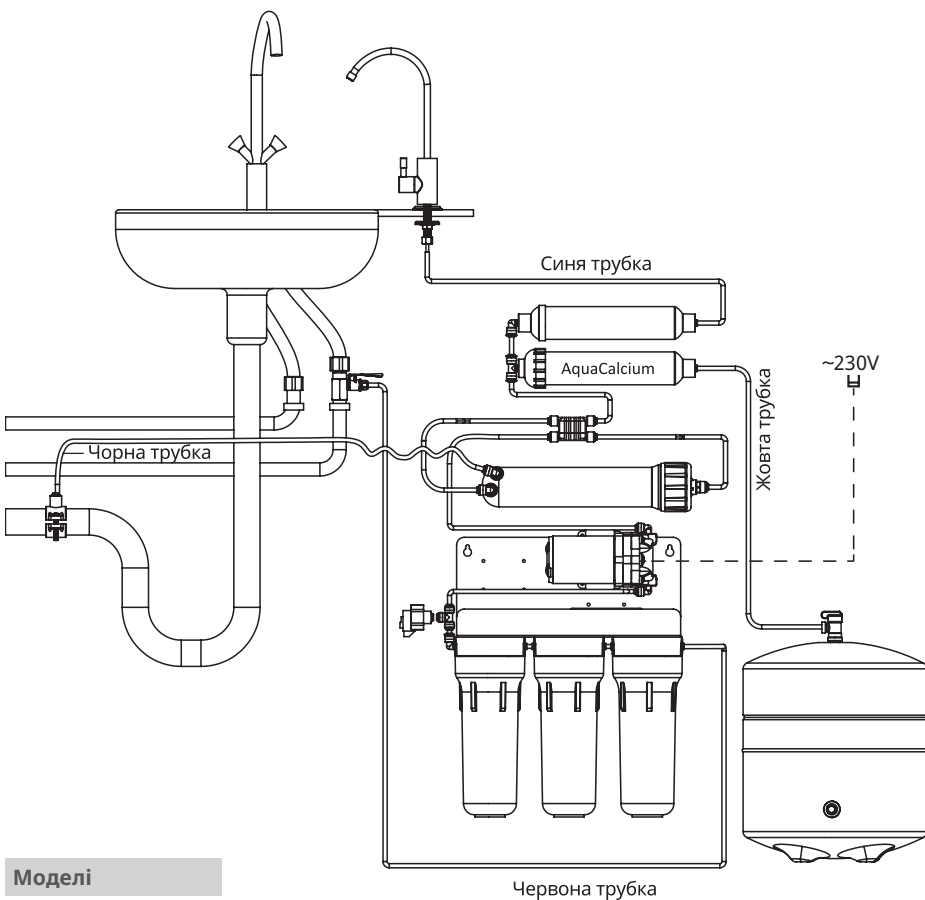
МО 6 100 МАС\*

Виробник залишає за собою право внесення змін у конструкцію/комплектацію виробу, у випадку якщо ці зміни не спричиняють погіршення споживчих властивостей виробу.

\* Модель фільтра не сертифікована WQA

### 3. СХЕМИ ПІДКЛЮЧЕННЯ

#### 3.6.1 СХЕМА ПІДКЛЮЧЕННЯ СИСТЕМИ PURE AQUACALCIUM З ПОМПОЮ



UA

#### Моделі

МО 6 50 MAC P S

МО 6 75 MAC P S

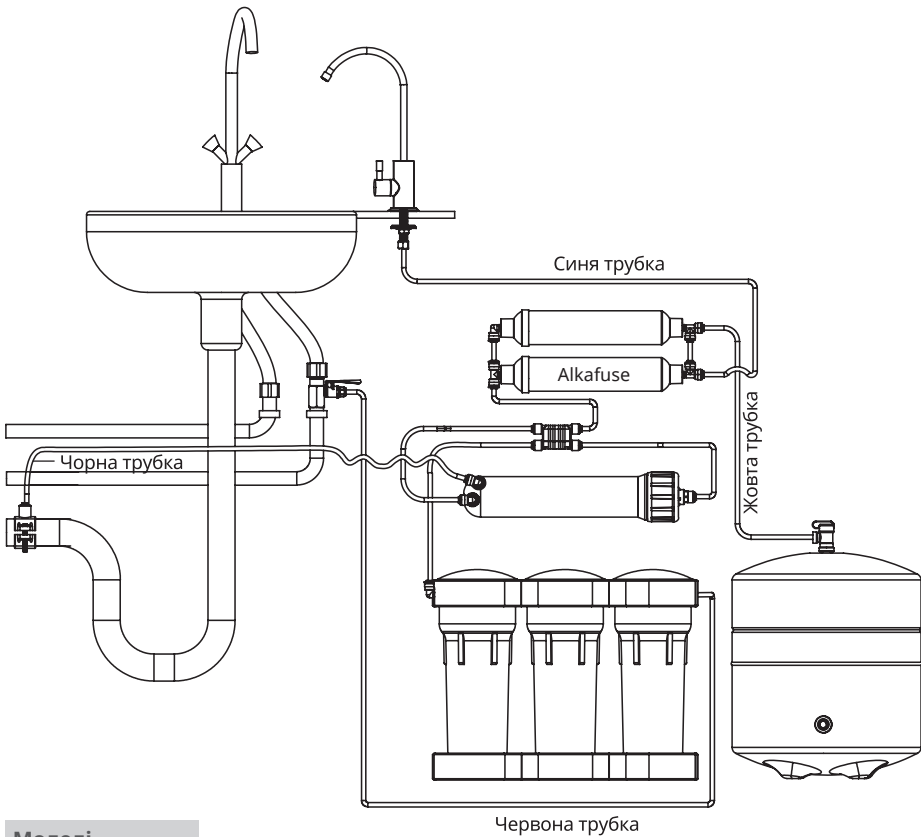
МО 6 100 MAC P S\*

Виробник залишає за собою право внесення змін у конструкцію/комплектацію виробу, у випадку якщо ці зміни не спричиняють погіршення споживчих властивостей виробу.

\* Модель фільтра не сертифікована WQA

### 3. СХЕМИ ПІДКЛЮЧЕННЯ

#### 3.7. СХЕМА ПІДКЛЮЧЕННЯ СИСТЕМИ PURE ALKAFUSE



#### Моделі

МО 6 50 ALC

МО 6 75 ALC

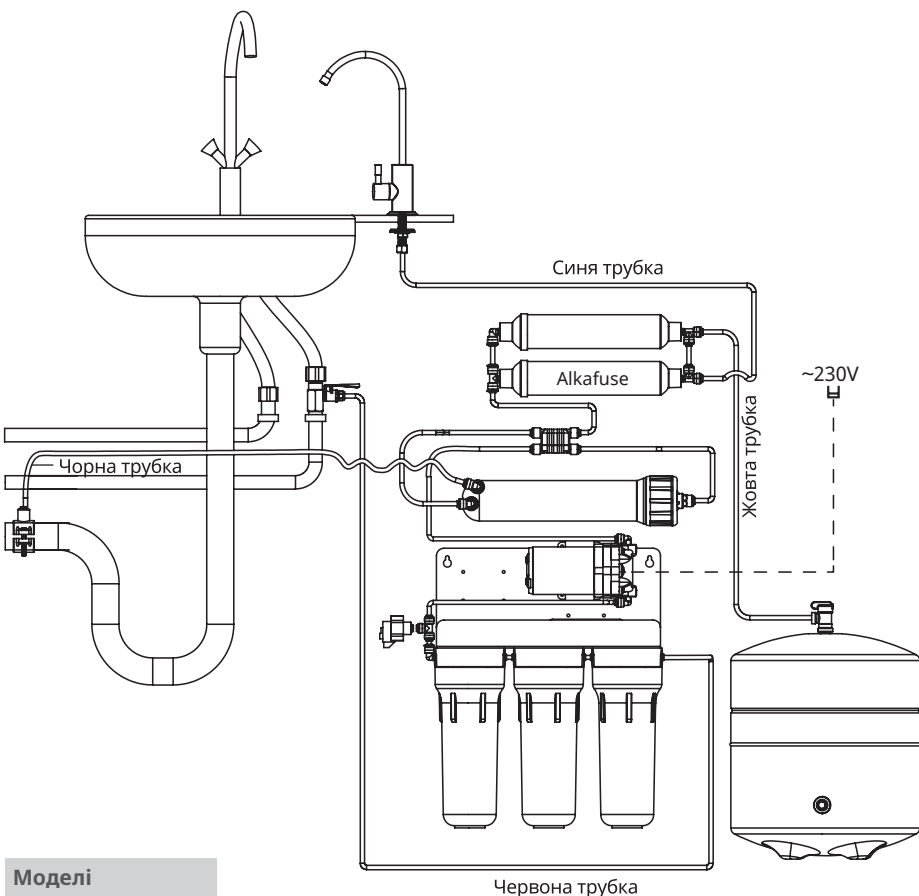
МО 6 100 ALC\*

Виробник залишає за собою право внесення змін у конструкцію/комплектацію виробу, у випадку якщо ці зміни не спричиняють погіршення споживчих властивостей виробу.

\* Модель фільтра не сертифікована WQA

### 3. СХЕМИ ПІДКЛЮЧЕННЯ

#### 3.7.1 СХЕМА ПІДКЛЮЧЕННЯ СИСТЕМИ PURE ALKAFUSE З ПОМПЮ



#### Моделі

МО 6 50 ALK P S

МО 6 75 ALK P S

МО 6 100 ALK P S\*

Виробник залишає за собою право внесення змін у конструкцію/комплектацію виробу, у випадку якщо ці зміни не спричиняють погіршення споживчих властивостей виробу.

\* Модель фільтра не сертифікована WQA

## 4. ПОСЛІДОВНІСТЬ ДІЙ ПІД ЧАС МОНТАЖУ СИСТЕМИ ЗВОРОТНОГО ОСМОСУ



**Перед встановленням системи зворотного осмосу необхідно уважно ознайомитися з даною інструкцією.**



**Ця система має бути встановлена відповідно до місцевих норм та правил.**



**Система призначена для очищення холодної води!**

### 4.1. ПЕРЕВІРКА ВХІДНИХ ПАРАМЕТРІВ

1) Перевірте наявність та відповідність усіх комплектуючих. Не можна розкривати прозорий пакет, в який упаковані деталі, до перевірки, оскільки виробник не приймає претензії щодо некомплектності у випадку якщо пакет розпечатаний.

2) Необхідно перевірити відповідність:

Тиск на вході*	Тиск у мембранному баку*	Температура вхідної води*
Перевірте тиск на вході перед системою зворотного осмосу. Тиск перед системою має відповідати вказаному у пункті 2.2.	Перевірте тиск у мембранному баку. Тиск у мембранному баку має відповідати вказаному у пункті 2.2.	Необхідно перевірити температуру вхідної води. Температура вхідної води має відповідати вказаній у пункті 2.2.

\*Якщо параметри вхідної води не відповідають вимогам, необхідно вжити заходів, указаних у пункті 2.2.

— технічних вимог (пункт 2.2);

— якості води\*\*, що подається на систему зворотного осмосу (пункт 2.3).

\*\*Якщо показники якості води, що подається на систему, не відповідають указаним вимогам, необхідно звернутися до компаній, які займаються водопідготовкою.

3) Систему зворотного осмосу необхідно захистити від високого тиску та різких перепадів тиску, які можуть виникати через особливості місцевої системи водопостачання. На вході системи обов'язково має бути встановлений регулятор тиску.

Оптимальний робочий тиск для системи становить 3,5 бар (52,5 psi) регулятор тиску налаштований виробником на цей параметр. Відсутність регулятора тиску може призвести до пошкодження компонентів, що працюють під тиском, і до втрати гарантії.

4) Перед встановленням системи необхідно підготувати місце під мийкою. Подбайте про те, щоби було достатньо місця для системи та накопичувального бака. У випадку нестачі місця під мийкою допускається встановлення системи окремо від накопичувального бака на відстані довжини з'єднувальної трубки.

5) Перед підключенням спеціаліст у щоденнику введення в експлуатацію (пункт 9.1) обов'язково має зафіксувати дату, тиск на вході, температуру води та наявність аналізу вхідної води. Ця інформація необхідна для контролю за умовами експлуатації системи, що забезпечить правильне налаштування і максимальну ефективність фільтрації. Після монтажу слід зафіксувати час наповнення бака та конверсію. Це допоможе оцінити ефективність



## 4. ПОСЛІДОВНІСТЬ ДІЙ ПІД ЧАС МОНТАЖУ СИСТЕМИ ЗВОРОТНОГО ОСМОСУ

роботи системи та забезпечить своєчасне виявлення будь-яких відхилень від норми, що можуть вплинути на продуктивність.

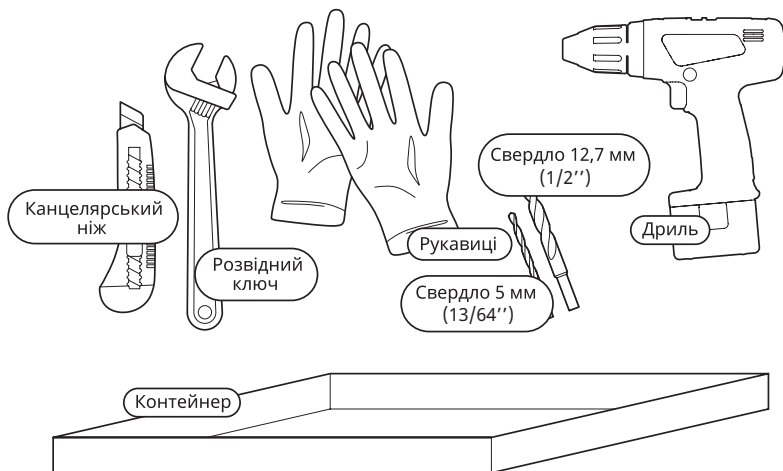
б) Підключіть систему відповідно до рекомендацій даної інструкції.

### 4.2. ВСТАНОВЛЕННЯ



**УВАГА!!!** Дана система перевірена виробником на відсутність протікань, тому всередині системи припустима наявність залишків води. Перед монтажем водопровідних трубок, картриджів, мембрани необхідно ретельно вимити руки з дезінфікуючим милом. Встановлювати дану систему у місцях, захищених від прямих сонячних променів, подалі від нагрівальних приладів.

#### 4.2.1 Рекомендовані інструменти для встановлення



Не дозволяйте дітям віком до 3 років контактувати з дрібними деталями під час встановлення або обслуговування пристрою. Уникайте доступу дітей до системи фільтрації та її компонентів без нагляду дорослих.

#### 4.2.2 Послідовність дій під час монтажу

- |    |   |
|----|---|
| 1. | Дістаньте систему зворотного осмосу з упаковки та перевірте комплектацію. Не розкривайте пакет з комплектуючими. Будьте уважні, виробник не приймає претензій щодо некомплектності, у випадку якщо пакет розпечатаний |
| 2. | Перекрийте вентиль холодної води на вході у квартиру/дім та відкрийте водопровідний кран у місці встановлення фільтра (на мийці), щоби скинути тиск у системі, після чого закрийте кран.                              |

## 4. ПОСЛІДОВНІСТЬ ДІЙ ПІД ЧАС МОНТАЖУ СИСТЕМИ ЗВОРОТНОГО ОСМОСУ

3. Вкрутіть вхідну муфту **4** у магістраль холодної води. Вкрутіть кран подачі води **5** у вхідну муфту **4**. Щоби уникнути можливого протікання води, необхідно використовувати для ущільнення фторопластову стрічку.

Розмір підключень розрахований на найбільш розповсюджений розмір трубопроводу — 1/2" та 3/8". Якщо трубопровід вашого приміщення має інші розміри, підготуйте відповідні перехідники.

Рис. А1

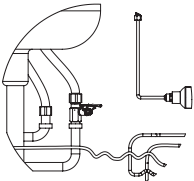


Рис. А2

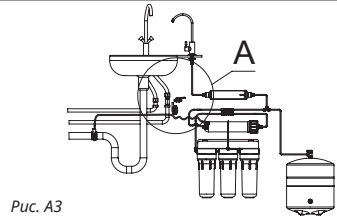
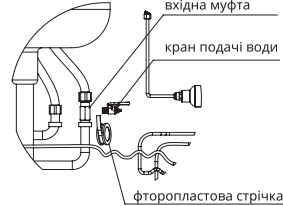
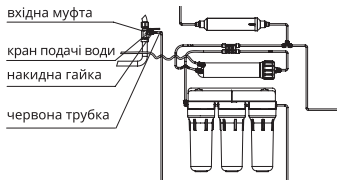


Рис. А3

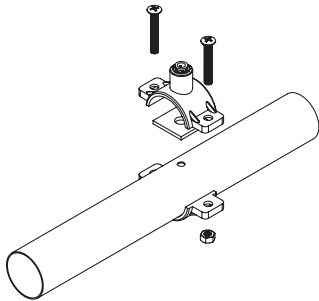


4. Відкрутіть накидну гайку зі штуцера крана подачі води **5** та надіньте її на червону трубку. Щільно натягніть червону трубку на штуцер крана подачі води **5** та закрутіть накидну гайку. Другий кінець червоної трубки з'єднайте зі швидкокорозійним фітінгом першої (крайньої справа) колби модуля фільтрації.



5. З'єднайте дренажний хомут **8** з дренажним сифоном вашої мийки. Дренажний хомут підходить до більшості стандартних каналізаційних труб. Просвердліть на дренажній трубі вашої мийки отвір діаметром 5,0 мм, на який покладіть ущільнювач з клейкою основою (входить до комплекту). Встановіть дренажний хомут **8** так, щоби отвір на дренажній трубі збігався з отвором (фітінгом) на дренажі. За допомогою викрутки затягніть гвинти дренажного хомути. Візьміть трубку чорного кольору, вставте її у фітінг дренажного хомути. Другий кінець чорної трубки з'єднайте зі швидкокорозійним фітінгом корпусу мембрани.


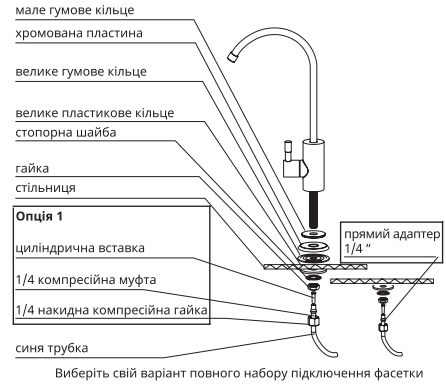
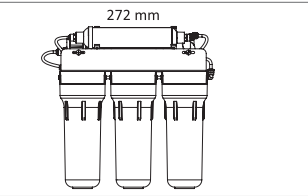
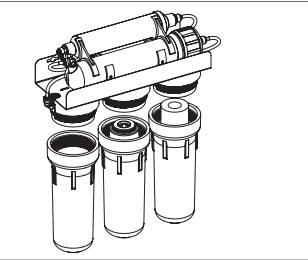
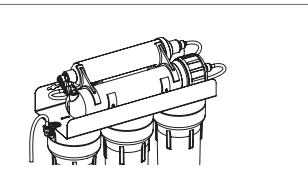
**ВАЖЛИВО!!!** Перевірте наявність регулятора потоку **12**, який має бути встановлений у чорну трубку з боку підключення до корпусу мембрани.



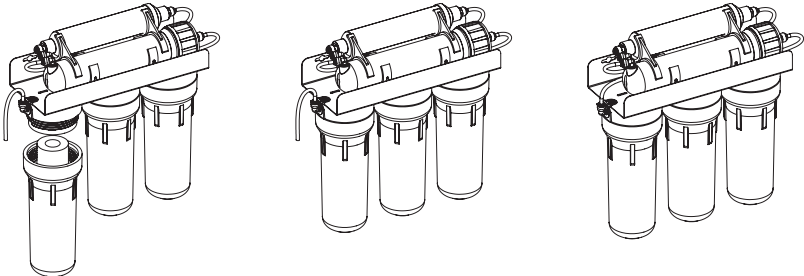
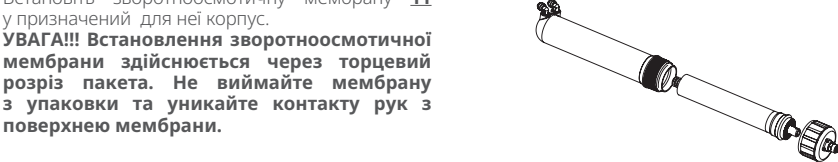
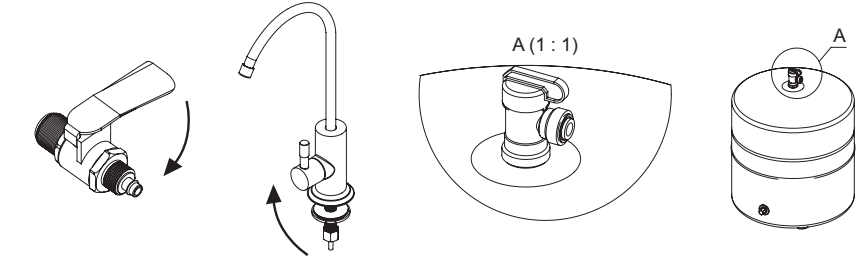
6. На різьбову частину бака **2** щільно намотайте фторопластову стрічку та накрутіть кульовий кран бака **6**. Тиск баку повинен бути на рівні 0,4–0,6 бар. За необхідності збільшіть тиск насосом з манометром. За необхідності зменшити тиск — скиньте його натисненням ніпеля бака.



#### 4. ПОСЛІДОВНІСТЬ ДІЙ ПІД ЧАС МОНТАЖУ СИСТЕМИ ЗВОРОТНОГО ОСМОСУ

7.	Підключення крана для очищеної води
7.1	<p> <b>Якщо у вашій мийці відсутній отвір для крана чистої води, його необхідно просвердлити.</b></p> <p>Для встановлення крана для очищеної води <b>3</b> просвердліть отвір діаметром 12,5 мм у зручному для вас місці на мийці або кухонній стільниці.</p> <p><b>УВАГА!!! Металева стружка може пошкодити вашу мийку, тому необхідно прибрати її одразу ж після того як ви просвердлисте отвір. Якщо поверхня для встановлення керамічна або кам'яна, вам може знадобитися спеціальне твердосплавне свердло.</b></p>
7.2	Зберіть кран на стільниці або мийці. При цьому гайка, стопорна шайба та велике пластикове кільце повинні притиснути кран до стільниці.
7.3	Візьміть синю трубку, надіньте на неї послідовно накидку компресійну гайку та компресійну муфту, після чого вставте циліндричну вставку у трубку.
7.4	Накрутіть накидку компресійну гайку на штуцер встановленого крана, спрямувавши трубку у середину штуцера, притискаючи компресійну муфту. Після встановлення кран має бути міцно закріплений на кухонній стільниці, а синя трубка щільно надягнута на патрубок крана.
7.5	Підключення подвійного крана (для моделей з відповідною комплектацією) здійснюється за таким самим принципом, як і підключення одинарного.
 <p>Виберіть свій варіант повного набору підключення фасетки</p>	
8.	<p>Виберіть стінку, на якій ви хочете розмістити фільтр, та вкрутіть у неї 2 шурупи для кріплення фільтра (не входять до комплекту) так, щоби нижні частини колб знаходилися на відстані не менш ніж 100 мм від підлоги.</p>
	
9.	Встановіть картриджі у першу та другу колби за напрямком руху води (справа наліво).
	
10.	Прикрутіть всі три колби, не докладаючи зайвих зусиль.
11.	Від'єднайте трубку, яка з'єднує третю за напрямком руху води колбу з авторегулятором.
	

#### 4. ПОСЛІДОВНІСТЬ ДІЙ ПІД ЧАС МОНТАЖУ СИСТЕМИ ЗВОРОТНОГО ОСМОСУ

12.	Відкрийте кран подачі води <b>5</b> та пропустіть через перші дві колби з картриджами 5-7 літрів води, щоби вимити вугільний пил, який може утворюватися у картриджах під час транспортування. <b>УВАГА!!! Ця вода буде виливатися через відокремлену від авторегулятора трубку, тому вам знадобиться ємність для її збору.</b>
13.	Вставте картридж у третю за напрямком руху води колбу, прикрутіть колбу та знову пропустіть не менше 4 літрів води, щоби вимити вугільний пил. Закрийте кран подачі води <b>5</b> та з'єднайте раніше відокремлену трубку з авторегулятором.
	
14.	<p>Встановіть зворотноосмотичну мембрану <b>11</b> у призначений для неї корпус.</p> <p><b>УВАГА!!! Встановлення зворотноосмотичної мембрани здійснюється через торцевий розріз пакета. Не виймайте мембрану з упаковки та уникайте контакту рук з поверхнею мембрани.</b></p>
15.	<p>Залиште кран подачі води <b>5</b> та кран очищеної води <b>3</b> відкритими на 30 хвилин. Поверніть кульовий кран <b>6</b> на бак <b>2</b> у положення «Відкрито». Закрийте кран для очищеної води <b>3</b> та уважно перевірте всі з'єднання на наявність протікань.</p> <p><b>УВАГА!!! Протягом перших двох тижнів щодня перевіряйте систему на наявність протікань, а в подальшому робіть це час від часу..</b></p> <p><b>У випадку вашої тривалої відсутності більше ніж 2 дні — відрядження чи відпустки — перекривайте подачу води до системи.</b></p> 
16.	<p>Після того як бак наповниться (ви почуєте, що потік води зупинився), злийте воду з бака у каналізацію, відкривши кран очищеної води <b>3</b>. Після того як напір води вичерпається, закрийте кран очищеної води <b>3</b>, щоби бак знову почав наповнюватися. Залежно від тиску у вашій водопровідній системі, наповнення може зайняти від 1,5 до 3 годин. Спустіть 2-3 баки води. Після цього ви можете пити очищену воду. Можливе потрапляння частинок вугілля в очищену воду з вугільного постфільтру, встановленого на фінішній стадії. Це нормально і не погіршує якість очищеної води. В моделях фільтрів з мінералізатором після монтажу очищена вода може бути дещо мутною. Додатково злийте декілька баків очищеної води в каналізацію.</p> 

## 5. ПОСЛІДОВНІСТЬ ДІЙ ПІСЛЯ МОНТАЖУ

### ПЕРЕВІРКА РОБОТИ СИСТЕМИ НА ВІДПОВІДНІСТЬ ТЕХНІЧНИМ ХАРАКТЕРИСТИКАМ

1. Оцінка часу наповнення бака. Бак наповниться в той момент, коли припинився скид концентрату в лінію каналізації. Отримане значення залежить від вихідного тиску водопроводу.

2. Визначення конверсії. Для цього потрібно: мірна ємність об'ємом не менше 1 л, секундомір. Закрийте кульовий кран бака **6** і відкрийте кран для очищеної води **3**. За допомогою мірної ємності перевірте час наповнення ємності пермеатом  $t_{\text{пермеат}}$ . Далі, закрийте кран очищеної води. Від'єднайте чорну дренажну трубку від фітинга дренажного хомута. Відкрийте кран очищеної води **3** і кран подачі води **5** і скористайтеся мірної ємністю для вимірювання часу наповнення того ж об'єму концентратом  $t_{\text{концентрат}}$ . Після цього закрийте крани **3** та **5** і відкрийте кульовий кран бака **6**. Використовуйте наступну формулу для розрахунку конверсії:

$$R = \frac{t_{\text{концентрат}}}{t_{\text{пермеат}} + t_{\text{концентрат}}} \times 100 \%$$

де R — конверсія, %;  $t_{\text{концентрат}}$  — час наповнення ємності концентратом; хв,  $t_{\text{пермеат}}$  — час наповнення ємності пермеатом, хв.

Залежно від якості вхідної води, температури води, тиску перед мембраною конверсія може бути різною. Нормальна величина конверсії повинна бути в діапазоні 10-20%.

3. Перевірка значення TDS вихідної води, TDS пермеата за допомогою каліброваного TDS-метра.

4. Перевірка спрацьовування авторегулятора. При заповненому баку та закритому крані для очищеної води закрийте кульовий кран бака **6**. Скидання концентрату має припинитися протягом 10 хвилин.

5. Перевірка системи на наявність протікань.

6. Інформування власників системи щодо правил технічного обслуговування системи, рекомендація ознайомитися з даною інструкцією.



**Внесення запису про введення в експлуатацію у щоденник технічного обслуговування у пункті 9.1 цього паспорту.**

## 6. ПРАВИЛА ЕКСПЛУАТАЦІЇ

### 1) Призначення системи

Побутова система зворотного осмосу призначена для доочищення тільки холодної води.

### 2) Заміна картриджів попереднього очищення

Якщо час наповнення бака збільшився, це може означати, що ресурс комплексу картриджів попереднього очищення вичерпаний, і комплект потребує негайної заміни. Зволікання із заміною картриджів може призвести до пошкодження або руйнування мембрани. Щоб уникнути таких критичних ситуацій, ми настійно рекомендуємо замінювати комплект картриджів попереднього очищення води не рідше ніж один раз на 6 місяців. Важливо, щоб картриджі були сумісні з вашою моделлю фільтра.

### 3) Заміна зворотноосмотичної мембрани

Якщо швидкість фільтрації значно падає, це може бути ознакою того, що зворотноосмотична мембрана потребує заміни. Для забезпечення стабільної якості очищеної води рекомендується замінювати зворотноосмотичну мембрану не рідше ніж раз на 1-1,5 роки. Якщо рівень TDS (загальних розчинених часток) в очищеній воді перевищує допустимий рівень, це також є сигналом для заміни мембрани.

### 4) Дезінфекція та заміна фільтрувальних елементів

У випадку тривалих перерв у роботі системи (більше ніж 2 тижні) необхідно провести дезінфекцію системи, описану в пункті 7, а також здійснити повну заміну всіх фільтрувальних елементів. Це дозволить уникнути накопичення мікроорганізмів і забезпечить високу якість води після її використання. Дезінфекція системи також включає обробку трубок та резервуара для води, щоб запобігти розвитку бактерій або плісняви.

### 5) Перекриття подачі води при тривалій відсутності

Якщо ви не плануєте користуватися системою протягом тривалого часу (більше 2 днів, наприклад, під час відпустки чи відрядження), рекомендується перекрити подачу води до системи. Це допоможе уникнути витоків води або потенційних пошкоджень системи, особливо в разі непередбачених ситуацій, таких як перепади тиску або проблеми з підключенням. Також важливо перевірити герметичність усіх з'єднань перед тим, як залишити систему без нагляду.

### 6) Перевірка тиску води

Вода в систему повинна подаватися з тиском, що відповідає рекомендованим параметрам виробника (зазвичай 2-4,5 бар). Якщо тиск води занадто низький, система може працювати неефективно, а якщо занадто високий — це може пошкодити мембрану. Використання редуктора тиску води для коригування тиску є обов'язковим.

### 7) Встановлення редуктора тиску перед системою зворотного осмосу

Систему зворотного осмосу необхідно захищати від високого тиску та різких перепадів тиску, які можуть виникати через особливості місцевої системи водопостачання. На вході системи

## 6. ПРАВИЛА ЕКСПЛУАТАЦІЇ

обов'язково має бути встановлений регулятор тиску. Оптимальний робочий тиск для системи становить 3,5 бар (52,5 psi). Відсутність регулятора тиску може призвести до пошкодження компонентів, що працюють під тиском, і втрати гарантії.

### 8) Не використовуйте систему для очищення води, що містить масла, розчинники чи агресивні хімічні речовини

Зворотний осмос не підходить для очищення води, що містить органічні розчинники, олії або інші агресивні хімічні речовини. Такі домішки можуть пошкодити мембрану та знизити ефективність фільтрації. Для очищення води з такими забрудненнями потрібні спеціалізовані системи фільтрації.

### 9) Очищення зовнішніх компонентів

Для підтримки чистоти і безпеки системи очищайте зовнішні компоненти (наприклад, корпус, підключення) за допомогою м'якої тканини, змоченої в розчині миючого засобу. Уникайте використання агресивних хімікатів, що можуть пошкодити поверхню і компоненти системи.

### 10) Моніторинг роботи системи

Періодично перевіряйте роботу системи, слідкуйте за змінами в продуктивності та рівні води в баку. Якщо система почала працювати із зниженими показниками або з'явилися сторонні шуми чи запахи, це може бути сигналом для негайного обслуговування чи заміни компонентів.

### 11) Під час кожного сервісного обслуговування системи фіксуйте дату та проведені роботи у щоденнику технічного обслуговування

Для зручності та коректної роботи вашої системи зворотного осмосу рекомендується вести щоденник технічного обслуговування. У ньому слід фіксувати дати заміни картриджів, мембрани та інших компонентів, а також дату проведення дезінфекції та інших важливих робіт.

### 12) Перевіряйте систему на наявність протікань

Перевіряйте систему на наявність протікань. У разі їх виявлення зверніться до сервісної служби.

#### Попередження щодо гарантії:

**Гарантія не поширюється на пошкодження, викликані порушенням умов експлуатації, таких як використання системи не за призначенням, неправильне обслуговування або модифікації, відсутність редуктора тиску чи використання води, що містить агресивні хімічні речовини. Недотримання рекомендацій щодо заміни картриджів, мембрани, перевірки тиску води чи проведення дезінфекції може призвести до втрати гарантії.**

## 6. ПРАВИЛА ЕКСПЛУАТАЦІЇ

### 6.1. ПРИЗНАЧЕННЯ ВУЗЛІВ ТА ЇХ ЗАМІНА

Ступінь фільтрації	Назва картриджа	Періодичність заміни
Перший, другий, третій	Ecosoft Поліпропіленовий фільтр попереднього очищення (5 мікрон)	1 раз на 3 місяці для всіх моделей фільтрів зворотного осмосу, крім моделей з технологією AquaGreen 1 раз на 6 місяців для моделей з технологією AquaGreen
	Ecosoft Фільтр із гранульованим активованим вугіллям	
	Ecosoft AquaGreen CTO	
	Ecosoft Поліпропіленовий фільтр попереднього очищення (1 мікрон)	
	Ecosoft CTO	
Четвертий	Ecosoft Поліпропіленовий фільтр попереднього очищення (5 мікрон) з бактеріостатичним ефектом	1 раз на рік
	Ecosoft Градієнтний картридж зі спіненого поліпропілену (20/5 мікрон)	
	Мембрана зворотного осмосу Ecosoft 50 GPD* Мембрана зворотного осмосу Ecosoft 75 GPD* Мембрана зворотного осмосу Ecosoft 100 GPD*	
П'ятий, шостий	Ecosoft Вугільний постфільтр	1 раз на 6 місяців
	Ecosoft Balance	
	Ecosoft Мінералізатор постфільтр	
	Ecosoft Alkafuse	
	Ecosoft AquaCalcium	

\* Ця система зворотного осмосу містить змінний компонент очищення, який має вирішальне значення для ефективного зменшення загального вмісту розчинених твердих речовин. Періодично слід проводити тестування вихідної води, щоб переконатися, що система працює задовільно.



**Щоб придбати запасні картриджі для вашої моделі фільтра, відвідайте <https://ecosoft.ua/ua/>**

### СУМІСНІСТЬ КАРТРИДЖІВ З МОДЕЛЯМИ ФІЛЬТРІВ

#### Серія Standard

Тип картриджа	Рекомендована періодичність заміни*, місяці	Модель фільтра		
		MO550ECOSTD	MO550PECOSTD	MO650MECOSTD
Картридж попереднього очищення	3		CPV3ECOSTD або CHV3ECO	
Мембранний елемент	12		CSV181250ECO	
Вугільний постфільтр	6		CHV2010ECOPKG	
Мінералізатор постфільтр	6	—	—	PD2010ECOPKG



## 6. ПРАВИЛА ЕКСПЛУАТАЦІЇ

Тип картриджа	Рекомендована періодичність заміни*, місяці	Модель фільтра		
		MO550MECOSTD	MO550MPECOSTD	MO550MPSECOSTD
Картриджі попереднього очищення	Кожні 3		CPV3ECOSTD	
Мембранний елемент	Кожні 12		CSV181250ECO	
Вугільний постфільтр	Кожні 6	—	—	—
Мінералізатор постфільтр	Кожні 6		PD2010ECOPKG	

### Серія Absolute

Тип картриджа	Рекомендована періодичність заміни*, місяці	Модель фільтра	
		MO675MECO	MO675MPSECO
Комплект картриджів попереднього очищення та мінералізатор та / або постфільтр	6		CHV5ECOABS
Комплект картриджів попереднього очищення та мінералізатор та / або постфільтр з мембранним елементом	12		CHV6ECOABS

### Серія PURE

Тип картриджа	Рекомендована періодичність заміни*, місяці	Модель фільтра		
		MO675MPUREBALECO MO675MBALPSECO	MO675PUREMACECO MO675PSMACECO	MO675ALCPUREECO MO675MALCPSECO
Комплект картриджів попереднього очищення та мінералізатор та / або постфільтр	6	CHV5PUREBAL	CHV5PUREMAC	CHV5PUREALC
Комплект картриджів попереднього очищення та мінералізатор та / або постфільтр з мембранним елементом	12	CHV6PUREBAL	CHV6PUREMAC	CHV6PUREALC

## 6. ПРАВИЛА ЕКСПЛУАТАЦІЇ



У разі погіршення якості вхідної води ресурс картриджів може бути знижений.



Обслуговування системи здійснюйте тільки кваліфікованим спеціалістом сервісного центру.



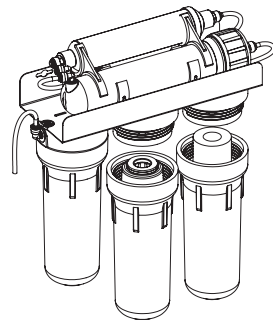
Регламентована заміна картриджів попереднього очищення здійснюється 1 раз на 3 місяці для всіх моделей фільтрів, окрім моделей з функцією AquaGreen. Для моделей з AquaGreen заміна проводиться 1 раз на 6 місяців.



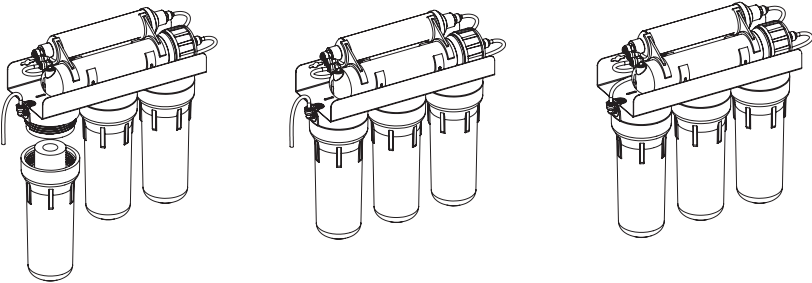
Щоб придбати змінні картриджі, відвідайте <https://ecosoft.ua/ua/>

### 6.2. ПОСЛІДОВНІСТЬ ДІЙ ПІД ЧАС ЗАМІНИ КАРТРИДЖІВ ПОПЕРЕДЬОГО ОЧИЩЕННЯ

1.	Перекрийте кран подачі води <b>5</b> , поверніть кульовий кран бака <b>6</b> у положення «Закрито».
2.	Ретельно вимийте руки антибактеріальним милом.
3.	Відкрутіть ключем першу та другу колби за напрямком руху води. Будьте обережні, колби заповнені водою.
4.	Видаліть відпрацьовані картриджі.
5.	Ретельно вимийте колби неароматизованим милом та чистою губкою, після чого ретельно ополосніть їх водою.
6.	Вставте нові картриджі у першу та другу колби за напрямком руху води (справа наліво).
7.	Від'єднайте трубку, яка з'єднує третю за напрямком руху води колбу з авторегулятором.
8.	Відкрийте кран подачі води <b>5</b> та пропустіть через перші дві колби з картриджами 5-7 літрів води, щоби вимити вугільний пил, який може утворюватися в картриджах під час транспортування. <b>УВАГА!!! Ця вода буде вилитися через відокремлену від авторегулятора трубку, тому вам знадобиться ємність для її збору.</b>



## 6. ПРАВИЛА ЕКСПЛУАТАЦІЇ

9.	Відкрутіть ключем третю за напрямком руху води колбу. Будьте обережні, колба заповнена водою.
10.	Видаліть відпрацьований картридж та ретельно вимийте колбу неароматизованим милом та чистою губкою, після чого ретельно ополосніть її водою.
11.	Вставте картридж у третю за напрямком руху води колбу, прикрутіть колбу та знов пропустіть не менше 4 літрів води, щоби вимити вугільний пил. Закрийте кран подачі води <b>5</b> та з'єднайте раніше відокремлену трубку з авторегулятором.
	
13.	Відкрийте кульовий кран бака <b>6</b> .
14.	Відкрийте кран подачі води на систему <b>5</b> .

UA

### 6.3 ПОСЛІДОВНІСТЬ ДІЙ ПІД ЧАС ЗАМІНИ МЕМБРАНИ



**Обслуговування системи здійснюйте тільки кваліфікованим спеціалістом сервісного центру.**



**Щоб придбати змінні картриджі, відвідайте <https://ecosoft.ua/ua/>**



**Регламентована заміна мембрани зворотного осмосу повинна здійснюватися 1 раз на рік.**

**(Заміна мембрани виконується спеціалістом сервісного центру)**

## 6. ПРАВИЛА ЕКСПЛУАТАЦІЇ

1.	Перекрийте кран подачі води на систему <b>5</b> , поверніть кульовий кран бака <b>6</b> у положення «Закрито».
2.	Відкрийте кран очищеної води <b>3</b> для скидання тиску в системі.
3.	Від'єднайте білу трубку від кришки корпусу мембрани.
4.	Відкрутіть кришку корпусу мембрани.
5.	Дістаньте використану зворотноосмотичну мембрану <b>11</b> (запам'ятайте її розташування у корпусі).
6.	Нанесіть мастило на гумові ущільнення нової зворотноосмотичної мембрани <b>11</b> та ущільнення кришки корпусу мембрани. <b>УВАГА!!! Щоби не пошкодити мембрану, у якості мастила використовуйте лише харчовий гліцерин.</b>
7.	Встановіть нову зворотноосмотичну мембрану у корпус, дотримуючись напрямку та положення трубки. <b>УВАГА!!! Встановлення зворотноосмотичної мембрани здійснюється через торцевий розріз пакета. Не виймайте мембрану з упаковки та уникайте контакту рук з поверхнею мембрани.</b>
8.	Закрутіть кришку корпусу мембрани.
9.	Під'єднайте білу трубку до кришки корпусу мембрани.
10.	Відкрийте кран подачі води <b>5</b> .
11.	Залиште кран подачі води <b>5</b> та кран очищеної води <b>3</b> відкритими на 30 хвилин. Поверніть кульовий кран <b>6</b> на бак <b>2</b> у положення «Відкрито». Закрийте кран для очищеної води <b>3</b> та уважно перевірте всі з'єднання на наявність протікань.
12.	Закрийте кран очищеної води <b>3</b> .
13.	Відкрийте кульовий кран бака <b>6</b> .
15.	Після того як бак наповниться (ви почуєте, як потік води припиниться), злийте воду з бака у каналізацію, відкривши кран очищеної води <b>3</b> , щоби бак знову почав заповнюватися. Залежно від тиску у вашій водопровідній системі заповнення може тривати від 1,5 до 3 годин. Після того як бак наповниться вдруге, ви можете пити очищену воду.

## 6. ПРАВИЛА ЕКСПЛУАТАЦІЇ

### 6.4 ПОСЛІДОВНІСТЬ ДІЙ ПІД ЧАС ЗАМІНИ ВУГІЛЬНОГО КАРТРИДЖА ТА/АБО МІНЕРАЛІЗАТОРА



Обслуговування системи здійснюйте тільки кваліфікованим спеціалістом сервісного центру.

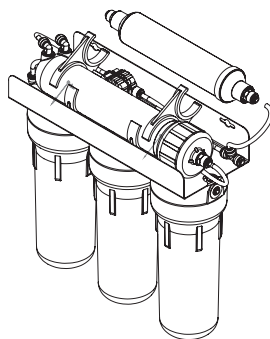


Щоб придбати змінні картриджі, відвідайте <https://ecosoft.ua/ua/>



Регламентована заміна мембрани зворотного осмосу повинна здійснюватися 1 раз на рік.

1.	Перекрийте кран подачі води на систему <b>5</b> , поверніть кульовий кран бака <b>6</b> у положення «Закрито».
2.	Відкрийте кран очищеної води <b>3</b> , щоби скинути тиск у системі.
3.	Від'єднайте трубки, які з'єднують вугільний постфільтр та/або мінералізатор з системою.
4.	Зніміть відпрацьований вугільний постфільтр та/або мінералізатор з пластикових тримачів (кліпс).
5.	Встановіть новий вугільний постфільтр та/або мінералізатор, керуючись стрілками, що позначають напрям потоку води.
6.	Під'єднайте трубки, якими вугільний постфільтр та/або мінералізатор з'єднується з системою.
7.	Відкрийте подачі води <b>5</b> . Відкрийте кульовий кран бака <b>6</b> .
8.	Злийте воду з бака у каналізацію, відкривши кран очищеної води <b>3</b> . Після того як напір води вичерпається, закрийте кран очищеної води <b>3</b> , щоби бак знову почав заповнюватися. Залежно від тиску у вашій водопровідній системі заповнення може тривати від 1,5 до 3 годин. Після того як бак наповниться вдруге, ви можете пити очищену воду. В моделях фільтрів з мінералізатором після заміни очищена вода може бути дещо мутною. Додатково злийте декілька баків очищеної води в каналізацію.



## 7. ДЕЗІНФЕКЦІЯ СИСТЕМИ ЗВОРОТНОГО ОСМОСУ



**Обслуговування системи здійснюйте тільки кваліфікованим спеціалістом сервісного центру.**

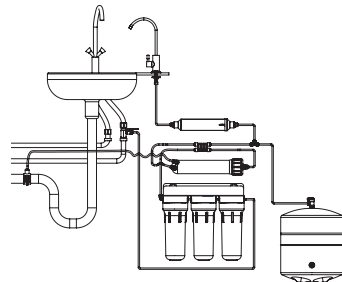
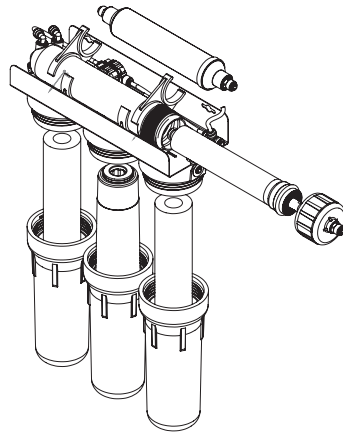
Дезінфекцію фільтрів питної води рекомендується проводити після їх тривалої експлуатації (~6 місяців), а також у якщо фільтр тривалий час не використовувався (2 тижні). Також бажано проводити дезінфекцію системи при заміні картриджів.

Для дезінфекції рекомендується використовувати таблетки на основі активного хлору.

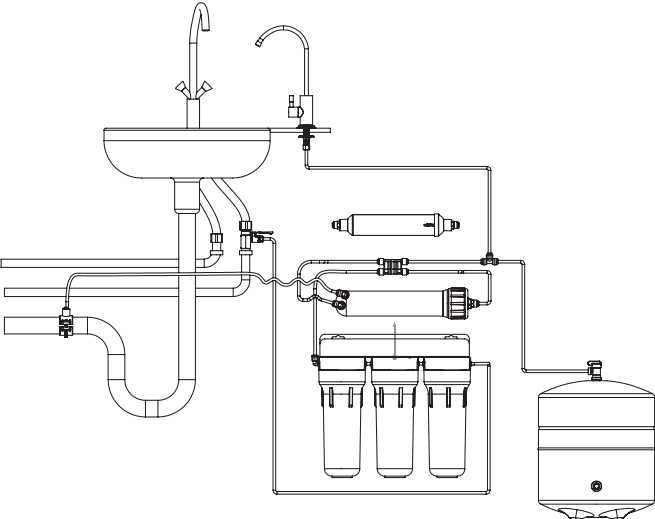
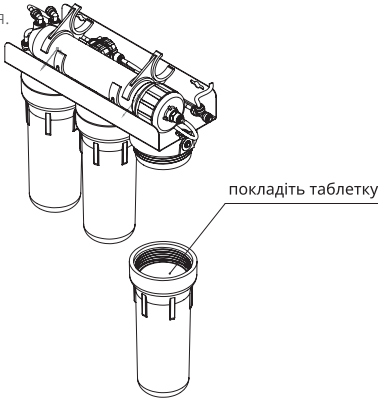


**Дезінфікуючий засіб шкідливий! Зберігайте його в недоступних для дітей місцях. Після використання дезінфікуючого засобу ретельно вимийте руки.**

1.	Перекрийте кран подачі води <b>5</b> , поверніть кульовий кран бака <b>6</b> у положення «Закрито».
2.	Дістаньте та утилізуйте картриджі попереднього очищення та вугільний постфільтр.
3.	Дістаньте зворотноосмотичну мембрану, герметично її упакуйте та покладіть у холодильник з температурою +2...+5 °С (щоби дістати мембранний елемент, можна скористатися круглоглубцями).
4.	Закрутіть другу та третю колби за напрямком руху води, корпус мембрани, підключіть трубку від крана очищеної води до трійника замість вугільного постфільтра.



## 7. ДЕЗІНФЕКЦІЯ СИСТЕМИ ЗВОРОТНОГО ОСМОСУ

4.	
5.	<p>Покладіть у першу колбу таблетку для знезаражування. Залийте колбу водою та закрутіть.</p> 
6.	Через 15 хвилин відкрийте кран для очищеної води <b>3</b> та кран подачі води <b>5</b> .
7.	У момент коли з крана очищеної води піде вода з запахом хлору, закрийте кран для очищеної води <b>3</b> та кран подачі води <b>5</b> .
8.	Залиште систему, заповнену розчином, на 2-3 години..
9.	Відкрийте кран для очищеної води <b>3</b> та кран подачі води <b>5</b> . Дочекайтеся зникнення запаху хлору у воді з крана.
10.	Встановіть у систему всі фільтруючі елементи, відкрийте кульовий кран бака <b>6</b> . Відкрийте кран подачі води <b>5</b> .
11.	Наповніть та злийте не менше двох баків води (до повного зникнення запаху хлору).

## 7. ДЕЗІНФЕКЦІЯ СИСТЕМИ ЗВОРОТНОГО ОСМОСУ

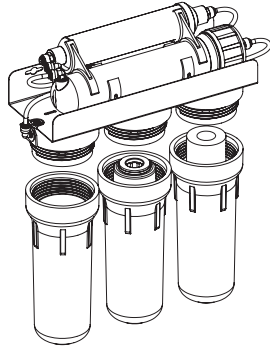
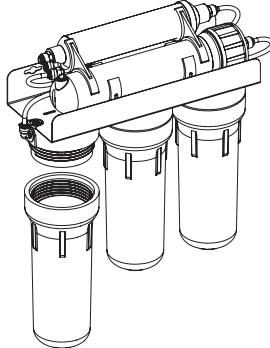
### 7.1 ДЕЗІНФЕКЦІЯ НАКОПИЧУВАЛЬНОГО БАКА



Обслуговування системи здійснюйте тільки кваліфікованим спеціалістом сервісного центру.

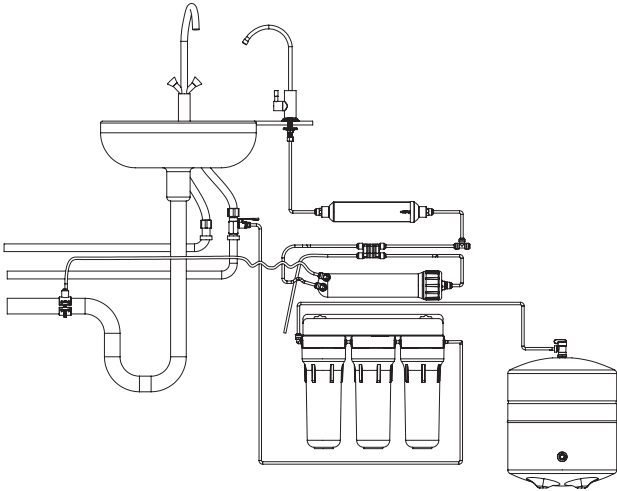


Дезінфікуючий засіб шкідливий! Зберігайте його в недоступних для дітей місцях. Після використання дезінфікуючого засобу ретельно вимийте руки.

1.	Перекрийте кран подачі води <b>5</b> .
2.	Відкрийте кран для очищеної води <b>3</b> та злийте всю воду у каналізацію.
3.	Перекрийте кульовий кран бака <b>6</b> .
4.	<p>Дістаньте картриджі попереднього очищення.</p> 
5.	<p>Закрутіть другу та третю колби за напрямком руху води.</p> 



## 7. ДЕЗІНФЕКЦІЯ СИСТЕМИ ЗВОРОТНОГО ОСМОСУ

6.	<p>Відключіть трубку, що йде до накопичувального бака, від трійника вугільного постфільтра та під'єднайте її до фітинга третьої колби.</p> 
7.	<p>Покладіть у першу колбу таблетку для знезаражування. Залийте колбу водою та закрутіть.</p>
8.	<p>Через 15 хвилин відкрийте кульовий кран бака <b>6</b>.</p>
9.	<p>Відкрийте кран подачі води <b>5</b> на 5 хвилин.</p>
10.	<p>Закрийте кульовий кран бака та залиште бак заповненим розчином на 1-2 години.</p>
11.	<p>Злийте воду з накопичувального бака <b>6</b>, відключивши його трубку від фітинга третьої колби. Відновіть початкове підключення трубок.</p>
12.	<p>Встановіть картриджі у систему, відкрийте кульовий кран бака <b>6</b> та кран подачі води <b>5</b>.</p>
13.	<p>Наповніть та злийте не менше трьох баків води (до повного зникнення запаху хлору).</p>

## 8. МОЖЛИВІ НЕСПРАВНОСТІ ТА СПОСОБИ ЇХ УСУНЕННЯ

Несправність	Причина	Як усунути
Протікання води з-під фітингів	Не герметично під'єднані трубки	Від'єднайте та заново підключіть трубки
Протікання з-під дренажного хомута	Дренажний хомут встановлений неправильно	Правильно встановіть дренажний хомут
Протікання з-під колби	Неправильно встановлене кільце ущільнення	Перевірте правильність встановлення кільця ущільнення (у жолобі колби)
	Колба закручена недостатньо щільно	Щільно закрутіть колбу
Вода з крана тече дуже слабко	Низький тиск на вході в систему	Перевірте вхідний тиск. Якщо тиск нижчий ніж 3 бар — встановіть помпу для підвищення тиску
	Забруднені картриджі префільтра	Замініть картриджі префільтра
	Забруднена мембрана	Замініть мембрану
	Перетиснута з'єднувальна трубка	Перевірте трубку по всій довжині
	Низький тиск у накопичувальному баку	Тиск у накопичувальному баку без води має бути 0,4–0,6 бар. За необхідності підкачайте тиск насосом. Операція виконується спеціалістом сервісного центру (СЦ)
Підвищений рівень шуму	Повітря в авторегуляторі	Повітря буде витіснене з авторегулятора природним шляхом через деякий час
	Тиск на вході в систему вищий за необхідний	Встановіть регулятор тиску. Зверніться в СЦ
Стук авторегулятора	Коливання тиску в мережі	Встановіть зворотний клапан на вході водопровідної мережі в квартиру. Перевірте тиск у сухому мембранному баку. Тиск у накопичувальному баку без води має бути 0,4–0,6 бар. За необхідності підкачайте тиск насосом. Операція виконується спеціалістом сервісного центру

## 8. МОЖЛИВІ НЕСПРАВНОСТІ ТА СПОСОБИ ЇХ УСУНЕННЯ

Вода постійно тече в дренаж	Низький тиск на вході в систему	Перевірте вхідний тиск. Якщо тиск нижчий за 3 бар. — встановіть помпу для підвищення тиску
	Забруднені картриджі префільтра	Замініть картриджі префільтра
	Забруднена мембрана	Замініть мембрану
	Несправний авторегулятор	Перевірте працездатність авторегулятора (при закритому кульовому крані накопичувального бака авторегулятор через декілька хвилин має перекрити подачу води на систему). Зверніться в СЦ
	Несправний зворотний клапан у корпусі мембрани	При несправному зворотному клапані накопичувальний бак заповнений, скидання води в дренаж не припиняється. Зверніться в СЦ
	Низький тиск у накопичувальній ємності	Перевірте тиск у сухому накопичувальному баку. Тиск у накопичувальному баку без води має бути 0,4–0,6 бар. За необхідності підкачайте тиск насосом. Операція виконується спеціалістом сервісного центру
Відсутній або неправильно встановлений обмежувач потоку	Перевірте наявність обмежувача потоку на виході з мембранотримача (корпусу мембрани). Він має бути вставлений у трубку чорного кольору та під'єднаний до виходу з мембранотримача. Якщо той бік трубки, у який вставлений обмежувач потоку, спрямований у каналізацію — переставте трубку (прочистивши обмежувач). Якщо обмежувача потоку немає — ймовірно, його зміло в каналізацію. Встановіть новий обмежувач потоку (під'єднайте кінець трубки з обмежувачем до виходу з мембранотримача)	
Вода не витікає з дренажної трубки при подачі води на систему	Накопичувальний бак заповнений	Відкрийте кран очищеної води. Якщо після зливання очищеної води з бака почнеться злив у дренаж — система працює нормально
	Забитий обмежувач потоку	Прочистіть або замініть обмежувач потоку
	Невідповідність отвору у дренажному хомуті та каналізаційній трубі	Встановіть дренажний хомут правильно, повторно перевірте роботу системи

## 8. МОЖЛИВІ НЕСПРАВНОСТІ ТА СПОСОБИ ЇХ УСУНЕННЯ

Вода має білий відтінок, який зникає при відстоюванні	Повітря у системі	Повітря в системі — нормальне явище на початку роботи системи. Через деякий час цей ефект проходить. Увага! Бульбашки повітря можуть з'явитися в очищеній воді у холодну пору року, при значній різниці температур води та приміщення
Вода має присмак та запах	Ресурс вугільного постфільтра вичерпаний	Замініть картридж
	Дезінфікуючий розчин мембрани не змітий	Спустіть всю воду з бака в стік, наберіть бак повторно
	Забруднення в системі	Проведіть знезаражування системи відповідно до рекомендацій розділів 7 та 7.1
	Забруднений бак	Замініть бак <b>Увага! Бак може забруднюватися під час тривалої експлуатації системи та при несвоєчасній заміні картриджів</b>
Мало води в накопичувальному баку	Високий тиск у повітряній камері накопичувального бака	Тиск у накопичувальному баку без води має бути 0,4–0,6 бар. За необхідності стравіть тиск. Операція виконується спеціалістом СЦ
	Закритий кран на накопичувальному баку	Перевірте положення крана на баку

## 9. ЩОДЕННИК ТЕХНІЧНОГО ОБСЛУГОВУВАННЯ

Виробник настійно рекомендує вести записи у щоденнику технічного обслуговування, фіксуючи всі проведені роботи, такі як введення в експлуатацію заміна картриджів, мембрани, дезінфекція та інші процедури. Ця інформація допоможе технічному спеціалісту під час діагностики вашої системи зворотного осмосу, а також може бути затребувана виробником у випадку гарантійних звернень або відхилень у роботі системи.

### 9.1 ВВЕДЕННЯ В ЕКСПЛУАТАЦІЮ

Дата введення в експлуатацію, ДД:ММ:РР	Тиск на вході	Температура вхідної води, °С	Наявність редуктора тиску (ТАК/НІ)	Виконано знезараження, (ТАК/НІ)	Час наповнення бака, ГГ:ММ	Конверсія (recovery)	Рекомендації	Наявність аналізу вхідної води (ТАК/НІ), (дата проведення)	Відомості про додатково встановлене обладнання: найменування, дата монтажу (приклад: редуктор, помпа, фільтри попереднього очищення та ін.)	Назва компанії, що провела монтаж системи	ПІБ технічного спеціаліста, що провів монтаж системи

РОБОТИ З ПІДКЛЮЧЕННЯ ВИКОНАНІ, ВИРІБ ПЕРЕВІРЕНИЙ, ПРЕТЕНЗІЙ ЩОДО ЯКОСТІ РОБОТИ ТА КОМПЛЕКТАЦІЇ НЕМАЄ. ВИКОНАННЯ РОБІТ ПІДТВЕРДЖУЮ

Власник обладнання \_\_\_\_\_

Підпис/ПІБ

Представник сервісного центру \_\_\_\_\_

Підпис/ПІБ

## 9. ЩОДЕННИК ТЕХНІЧНОГО ОБСЛУГОВУВАННЯ

### 9.2 ТЕХНІЧНЕ ОБСЛУГОВУВАННЯ

Найменування робіт	Витратні матеріали, які були використані при технічному обслуговуванні	Температура води, °С	Тиск на вході	Проведена дезінфекція системи / бака	Час наповнення бака, чч.мм	Співвідношення пермеат/концентрат	Дата технічного обслуговування	Назва компанії, яка виконувала технічне обслуговування	ПІБ спеціаліста	Роботи виконані, претензій до якості виконаної роботи немає. Підпис власника обладнання

## 10. ДАНІ ПРО ПРОДУКТИВНІСТЬ

Ця система була протестована відповідно до NSF/ANSI 58 для зниження концентрації речовин, зазначених нижче. Концентрація зазначених речовин у воді, що надходить до системи, була знижена до рівня, меншого або рівного допустимій межі для води, що виходить із системи, відповідно до стандарту NSF/ANSI 58.

Речовина	Концентрація у вихідній воді (мг/л)	Максимальна допустима концентрація у очищеній воді (мг/л)
Миш'як (п'ятивалентний)*	0,30 ± 10%	0,010
Барій*	10,0 ± 10%	2,0
Кадмій*	0,03 ± 10%	0,005
Мідь*	3,0 ± 10%	1,3
Хром (гексавалентний та тривалентний)*	0,3 ± 10% (гексавалентний), 0,3 ± 10% (тривалентний)	0,05 (гексавалентний) та 0,05 (тривалентний)
Фтор*	8,0 ± 10%	1,5
Свинець*	0,15 ± 10%	0,010
Радій 226/228*	25 pCi/л ± 10%	5 pCi/л ± 10%
Селен*	0,10 ± 10%	0,05
Каламутність*	11 ± 1 NTU	0,5 NTU

\*Системи, які оснащені мембранами TW30-1812-50, TW30-1812-75, CSV181250ECO, сертифіковані на відповідність цим заявам про зниження.

Речовина	Концентрація у вихідній воді (мг/л)	Мінімальний рівень зниження, %
Мінімальний рівень зниження, %	750 ± 40 мг/л	75%

### 10.1 ФАКТИ ПРО МИШ'ЯК

#### Наявність і форми миш'яку у воді

Миш'як (As) — це природний забруднювач, що зустрічається в багатьох джерелах підземних вод. Зазвичай він існує у двох формах, відомих як валентності або ступені окислення: п'ятивалентний миш'як (As(V), As(+5) або арсенат) і тривалентний миш'як (As(III), As(+3) або арсеніт). У природній підземній воді миш'як може бути присутнім як тривалентний, п'ятивалентний або у їх комбінації. Обидві форми шкідливі для здоров'я людини, але тривалентний миш'як вважається більш небезпечним.

## 10. ДАНІ ПРО ПРОДУКТИВНІСТЬ

### Визначення миш'яку у воді та ефективність системи

Споживачі, які використовують воду з централізованих систем, можуть звернутися до місцевих водоканалів, щоб дізнатися, чи використовується в процесі очищення води вільний хлор. Це важливо для перетворення тривалентного миш'яку на п'ятивалентний. Для приватних джерел води або вод без залишкового хлору рекомендується перевіряти воду, щоб визначити форму миш'яку. У деяких випадках може знадобитися додаткове очищення для окиснення тривалентного миш'яку до п'ятивалентного, щоб система ефективно його видала.

### Заяви щодо видалення п'ятивалентного миш'яку

Системи спеціально розроблені для видалення п'ятивалентного миш'яку з води. Вони не перетворюють тривалентний миш'як на п'ятивалентний. У лабораторних умовах система знижувала рівень п'ятивалентного миш'яку з 0,30 мг/л до 0,010 мг/л (10 ppb) або нижче, що відповідає стандарту USEPA для безпечної питної води. Фактична продуктивність системи може варіюватися залежно від умов використання, і рекомендується регулярно перевіряти очищену воду, щоб переконатися, що система працює належним чином.

### Умови, які можуть вплинути на продуктивність

Здатність системи видаляти п'ятивалентний миш'як може змінюватися залежно від якості води на місці встановлення. Наприклад, наявність заліза або інших домішок у воді може вплинути на її ефективність.

### Компонент для видалення миш'яку та обслуговування

Компонент зворотного осмосу (RO) у системах TW30-1812-50, TW30-1812-75, CSV181250ECO, CSV181275ECO відповідає за видалення п'ятивалентного миш'яку. Для збереження ефективності системи RO-компонент слід регулярно замінювати відповідно до рекомендацій, зазначених у керівництві користувача. Частота заміни та інформація про місця придбання замінних компонентів зазначені в інструкції з монтажу та експлуатації.

## 11. БЕЗПЕКА ЗДОРОВ'Я ТА НАВКОЛИШНЬОГО СЕРЕДОВИЩА

Виріб не чинить хімічного, радіоактивного, електрохімічного впливу на навколишнє середовище. Не належить до шкідливих за ступенем дії на організм людини, відповідає санітарному законодавству України при використанні за призначенням.

## 12. ПРАВИЛА КУПІВЛІ

Купівлю бажано здійснювати у авторизованих центрах продажів.

При купівлі необхідно перевірити цілісність упаковки, наявність механічних пошкоджень та інших відхилень, комплектацію (не розкриваючи пакет), наявність супроводжувальної документації, зокрема інструкції та гарантійного талона.



### 13. ТРАНСПОРТУВАННЯ ТА ЗБЕРІГАННЯ

Транспортування виробу допускається будь-яким транспортним засобом (крім неопалюваних у холодну пору року) відповідно до правил перевезення вантажів, які діють на кожному виді транспорту.

Під час вантажно-розвантажувальних робіт та транспортування необхідно дотримуватися вимог маніпуляційних знаків на упаковці.

Вироби мають зберігатися у закритих приміщеннях, де виключена можливість механічних пошкоджень, впливу вологи та хімічно активних речовин. Вироби мають зберігатися в упаковці виробника при температурі навколишнього середовища від +5 до +40 °C та відносній вологості 80 %, на відстані не менше ніж 1 м від опалювальних приладів.

UA

### 14. ЗАСТЕРЕЖЕННЯ

Шановний користувачу, перед використанням вашої системи зворотного осмосу, будь ласка, уважно ознайомтесь з наступними застереженнями та рекомендаціями. Дотримання цих інструкцій не тільки забезпечить правильну роботу системи, але й допоможе уникнути серйозних проблем, які можуть призвести до пошкодження обладнання та втрати гарантії.

1. Перед встановленням та використанням системи зворотного осмосу уважно ознайомтеся з посібником користувача, місцевими сантехнічними нормами та правилами, і строго дотримуйтеся усіх вказівок. Дотримання інструкцій забезпечує безпечну й ефективну роботу системи, а також захищає від можливих травм або пошкоджень. Для встановлення системи та виконання будь-яких супутніх робіт рекомендується звертатися до кваліфікованих фахівців.

2. **Захист від високого тиску:** Для коректної роботи системи необхідно забезпечити захист від високого тиску та різких перепадів тиску у водопостачальній мережі. На вході **обов'язково має бути встановлений регулятор тиску**. Відсутність регулятора тиску може призвести до пошкодження компонентів системи і втрати гарантії. Оптимальний робочий тиск для системи становить 3,5 бар (52,5 psi).

3. Виробник настійно рекомендує вести записи у щоденнику технічного обслуговування (пункт **9.1**), детально фіксуючи всі проведені роботи, такі як введення в експлуатацію, заміна картриджів, мембрани, дезінфекція та інші процедури. Ця інформація важлива для роботи технічного спеціаліста під час діагностики вашої системи зворотного осмосу, а також може бути необхідною виробнику у разі гарантійних звернень чи відхилень у роботі системи.

4. **Встановлення та запуск системи** повинні виконуватися лише кваліфікованим спеціалістом. Система призначена тільки для очищення холодної води.

5. **Аналіз води:** Перш ніж використовувати систему, обов'язково проведіть аналіз вхідної води у сертифікованій лабораторії, щоб визначити її якість та відповідність параметрам (пункт **2**) для коректної роботи системи.

## 14. ЗАСТЕРЕЖЕННЯ

**Вимоги до води, яка подається на систему зворотного осмосу:**

Найменування показника	Значення
рН	6,5–8,5
Мінералізація, мг/л	<1500
Твердість, мг-екв/л	<10,0
Вільний хлор, мг/л	<0,5
Залізо, мг/л	<0,3
Марганець, мг/л	<0,1
Перманганатна окиснюваність, мг O <sub>2</sub> /л	<5
Загальне мікробне число (ЗМЧ), КУО/мл	<50
Coli-індекс, КУО/100 мл	<3

6. **Дезінфекція води:** Не використовуйте систему для очищення мікробіологічно небезпечної води або води невідомої якості без належної попередньої дезінфекції.

7. **Перевірка тиску води:** Вода повинна подаватися в систему з тиском, що відповідає рекомендованим параметрам виробника (2-6 бар). **Використання редуктора тиску є обов'язковим.**

8. **Перевірка системи на протікання:** Після встановлення перевіряйте систему на наявність протікань, особливо протягом перших двох тижнів після монтажу. Після цього також перевіряйте раз на тиждень.

9. **Регулярна заміна фільтруючих елементів та технічне обслуговування фільтра:** Заміна картриджів попереднього очищення повинна відбуватися не рідше ніж раз на 6 місяців. Вчасна заміна допоможе уникнути пошкодження мембрани і забезпечить ефективну роботу системи (пункт **6**).

10. **Заміна зворотноосмотичної мембрани:** Для підтримки стабільної якості води необхідно міняти мембрану зворотного осмосу не рідше ніж раз на 1–1,5 роки. Якщо рівень TDS в очищеній воді перевищує 15 мг/л, це сигнал до заміни мембрани та звернення до кваліфікованої сервісної підтримки (пункт **6**).

11. **Дезінфекція при тривалій перерві у роботі:** Якщо система не працювала більше 2 тижнів, необхідно провести дезінфекцію та повну заміну фільтрувальних елементів (пункт **7**).

12. **Перекриття подачі води при тривалій відсутності:** У разі тривалої відсутності (більше 2 днів) рекомендується перекрити подачу води до системи для запобігання витокам чи пошкодженням.

13. Виробник не несе відповідальності за будь-які випадкові або непрямі збитки, спричинені невідповідністю вашого пристрою явним або неявним гарантійним умовам, або будь-яким

## 14. ЗАСТЕРЕЖЕННЯ

іншим дефектом пристрою. Це включає втрату чи пошкодження пристрою, втрату часу, незручності, пошкодження особистого майна, втрату доходу, комерційні збитки, витрати на доставку, проїзд, телефонні витрати чи інші збитки подібного характеру.

**14. Увага до гарантії:** Неправильне встановлення, відсутність регулятора тиску, несвоєчасна заміна компонентів або порушення інструкцій призводять до втрати гарантії.

Дотримання цих рекомендацій забезпечить стабільну роботу вашої системи зворотного осмосу та захистить вас від небажаних проблем.

## 15. ГАРАНТІЙНІ ЗОБОВ'ЯЗАННЯ

Ми вдячні вам за те, що ви придбали систему зворотного осмосу виробництва компанії Ecosoft. Сподіваємось, що наша система служитиме вам довго та даруватиме вам і вашій родині задоволення від чистої питної води.

### Гарантійний строк

Гарантійний строк експлуатації складає **12 місяців** від дня продажу через роздрібну мережу (якщо інше не вказано в гарантійному талоні виробу).

### Умови гарантії

Виробник гарантує, що дана система очищення води не містить виробничих дефектів, і ці дефекти не виявляться протягом гарантійного строку за умови, що система очищення встановлена та працює відповідно до технічних вимог та умов експлуатації.

### Важливо!

Перед початком експлуатації ретельно вивчіть:

- інструкцію з підключення та експлуатації системи зворотного осмосу,
- умови гарантійних зобов'язань,
- перевірте правильність заповнення гарантійного талону та наявність документа, що підтверджує придбання (касовий чек, товарний чек, накладна, акт введення в експлуатацію).

### Гарантійний талон

Гарантійний талон дійсний лише за наявності:

- правильно вказаних моделі та дати продажу,
- чітких печаток фірми-продавця.

### Захист від високого тиску

Для коректної роботи системи необхідно забезпечити захист від високого тиску та різких перепадів тиску у водопостачальній мережі.

## 15. ГАРАНТІЙНІ ЗОБОВ'ЯЗАННЯ

### Необхідно:

- На вході обов'язково має бути встановлений регулятор тиску.
- Оптимальний робочий тиск для системи — 3,5 бар (52,5 psi).

### Важливо!

Відсутність регулятора тиску може призвести до пошкодження компонентів системи та втрати гарантії.

### Умови втрати гарантії

Неправильне встановлення, відсутність регулятора тиску, несвоєчасна заміна компонентів, невідповідність вимогам до вхідної води або порушення інструкцій призводять до **втрати гарантії**.

### Гарантійні зобов'язання не поширюються на:

- Пошкодження, **викликані звичайним зносом**.
- Поломки, обумовлені **неправильним використанням**.
- Пошкодження, викликані **модифікаціями, змінами або ремонтом**, здійсненими покупцем або третьою особою.
- **Витратні матеріали** (картриджі, зворотноосмотична мембрана, вугільний постфільтр, мінералізатор та інші змінні елементи), термін служби яких залежить від якості води та умов експлуатації.
- Пошкодження, спричинені **зовнішніми факторами**: перепади тиску, температури, забруднення, механічні або хімічні впливи.
- **Електричне обладнання** за відсутності заземлення або стабілізатора напруги в мережі.
- Недотримання умов **зберігання, транспортування чи експлуатації товару**.
- Несправності та неполадки, що виникли через **несвоєчасну заміну змінних елементів** або при використанні елементів інших виробників.

### Важливо!

Всі претензії щодо якості води, **смаку** та **запаху**, очищеної за допомогою цього фільтра, приймаються лише за наявності підтверджуючого **протоколу аналізу**, виконаного дослідною акредитованою лабораторією.

### Гарантійне зобов'язання припиняється:

- у разі **використання товару не за призначенням**;
- у разі **невиконання умов експлуатації**, зазначених у паспортно-експлуатаційних документах;
- якщо перевищено граничні **технічні норми** для експлуатації товару (пункт 2);
- у разі порушення **правил техніки безпеки**, умов зберігання або переміщення товару;
- якщо ремонт або інше втручання в роботу товару було проведено **неуповноваженим сервісом**;
- за відсутності встановленого **редуктора тиску** перед системою.

**Рекомендуємо** скористатися послугами **авторизованих сервісних центрів** для монтажу та

## 15. ГАРАНТІЙНІ ЗОБОВ'ЯЗАННЯ

запуску системи. Якщо ви обираєте самостійний монтаж або монтаж сторонніми сервісними інженерами, гарантія може бути **анульована** у разі:

- Неправильного монтажу системи, що спричинило некоректну роботу або протікання вузлів.
- Некоректної роботи системи через порушення послідовності дій при введенні в експлуатацію.
- Відсутності **редуктора тиску** перед системою.

Дотримання цих рекомендацій забезпечить стабільну роботу вашої системи зворотного осмосу та захистить вас від небажаних проблем.

**Після виконання гарантійних робіт** Постачальник оформляє та направляє покупцю акт з переліком виконаних робіт та матеріалів, які не підлягають оплаті. Покупець зобов'язаний підписати акт та повернути один примірник протягом **5 календарних днів** з моменту отримання.

Якщо акт не буде повернутий чи не надано заперечень у цей строк, роботи та матеріали вважаються прийнятими покупцем без зауважень.

### **Увага! Для отримання безумовної гарантії 5 років потрібно:**

- здійснити монтаж та введення в експлуатацію Авторизованим сервісним центром;
- змінювати картриджі Авторизованим сервісним центром згідно регламенту виробника.

### **Безумовна гарантія 5 років надає додаткові переваги:**

- гарантійну заміну будь якого вузла та/або компонента системи (за виключенням змінних картриджів) на протязі всього гарантійного терміну;
- стеження за ресурсом картриджів до вашого фільтру, своєчасне нагадування та їх заміна Авторизованим сервісним центром;
- отримання індивідуальних знижок на змінні картриджі та послуги Авторизованого сервісного центру.

### **Стандартне підключення працівником сервісної служби**

Стандартне підключення виконується тільки на труби діаметром 1/2 дюйма за наявності вентиля для підключення води безпосередньо у квартирі.

### **Перелік робіт, що виконує працівник сервісної служби при стандартному підключенні:**

- встановлення вхідної муфти та крана подачі води у водопровідну трубу;
- встановлення крана для очищеної води на мийку або стільницю;
- встановлення модуля фільтрації, дренажного хомута та підключення кольоровими трубками;
- перевірка системи на герметичність робочих вузлів та коректності роботи в цілому;
- заповнення акту виконаних робіт;
- заповнення журналу технічного обслуговування.

### **Додатково працівник сервісної служби може запропонувати та встановити:**

- регулятор тиску;
- компенсатор гідроудару;
- систем захисту від протікання води;
- інше обладнання, яке покращить роботу основного обладнання;
- сервісне обслуговування.

## 15. ГАРАНТІЙНІ ЗОБОВ'ЯЗАННЯ

### Додатково оплачуються:

- транспортні витрати сервісної служби;
- виїзд сервісної служби у неробочий час;
- підключення до наявних точок водопостачання, де не забезпечене гнучке з'єднання та потрібна зміна конструкції водопроводу з застосуванням спеціального інструменту та додаткових матеріалів та комплектуючих;
- встановлення крана для очищеної води на поверхні, виготовлений з матеріалу, який потребує застосування спеціального обладнання (чавун, штучний камінь, керамограніт та інші штучні матеріали);
- встановлення регулятора тиску
- встановлення компенсатора гідроудару;
- встановлення системи захисту від протікання води;
- встановлення іншого обладнання, яке покращить роботу основного обладнання;
- сервісне обслуговування.

Сервісна служба не несе відповідальності за стан підвідних водопровідних труб та сантехнічної арматури покупця. Незадовільний стан підвідних водопровідних труб, сантехнічної арматури та невиконання покупцем необхідних згідно з інструкцією з експлуатацією вимог для підключення фільтра є підставою для відмови у наданні послуг з підключення.



**УВАГА!!! У випадку самостійного підключення системи виробник не несе відповідальності та не приймає претензії, які можуть бути викликані неправильним підключенням та некоректною роботою системи в цілому.**

## 16. СЕРТИФІКОВАНІ СЕРВІСНІ ЦЕНТРИ У ВАШОМУ РЕГІОНІ

Перелік авторизованих сервісних центрів вказаний на сайі [www.ecosoft.com](http://www.ecosoft.com)



