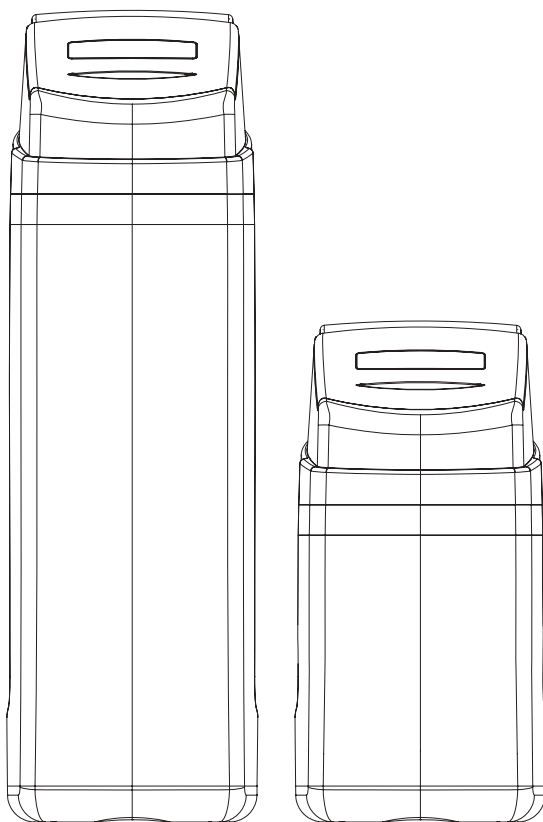


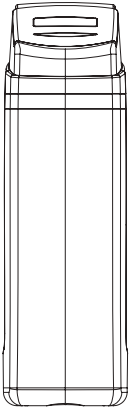
ecosoft

MANUAL FOR ECOSOFT COMPACT WATER
SOFTENERS TITANIUM GOLD AND ARCTIC BLUE

ПОСІБНИК З ЕКСПЛУАТАЦІЇ КОМПАКТНОГО
ПОМ'ЯКШУВАЧА ВОДИ ECOSOFT TITANIUM GOLD
ТА ARCTIC BLUE

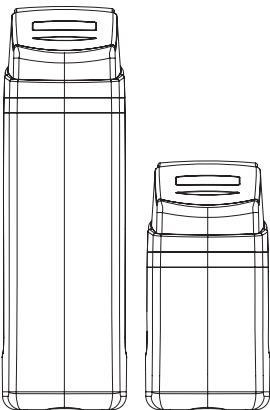


ECOSOFT COMPACT WATER SOFTENER RANGE



Compact ADVANCED water softener

Part #	Description	Quantity of ECOMIX®, L
FK1035CABCEMIXC	Ecosoft FK1035CABCEMIXC compact advanced water softeners	25
FK1235CABCEMIXC	Ecosoft FK1235CABCEMIXC compact advanced water softeners	37



Compact water softener

Part #	Description	Quantity of media, L
FU1018CABCEMV	Ecosoft FU1018CABCE compact water softener	12
FU0835CABCEMV	Ecosoft FU0835CABCE compact water softener	18
FU1035CABCEMV	Ecosoft FU1035CABCE compact water softener	25
FU1235CABCEMV	Ecosoft FU1235CABCE compact water softener	37

CONTENTS

1	Introduction	4
1.1	General provisions	4
1.2	Manufacturer	4
1.3	Safety rules	4
2	Technical data	6
2.1	Dimensions	6
2.2	FK cabinets series	7
2.3	FU cabinets series	7
3	Product package	8
4	Preparation of the installation site	9
5	Installation procedure of FU/FK cabinets	9
5.1	Optional equipment	10
6	Quick Set Up Guide	12
7	FK, FU installation diagram	14
8	Service	15
8.1	Maintenance work	15
8.2	User responsibility	15
8.3	Service and spare parts	15
8.4	Disposal	15
9	Troubleshooting	16
10	Guarantee	18
11	Serial information	19

1. INTRODUCTION

1.1 General provisions

Filter installation should be carried out by a specialist with appropriate qualifications and experience. Children aged 8 years and older, as well as people with limited physical, sensory and mental abilities, with the lack of necessary knowledge and experience to use this device, they can use softener only under supervision and in compliance with the specified data security rules equipment and understand the hazards involved. Cleaning and user maintenance shall not be made by children without supervision. Do not allow children to play with the device!

If the softener is not used for a long time used: If you do not plan soon sometimes use the equipment (for example, during holidays) put it in bypass mode and turn it off it from the water supply network. For this it is necessary move the three taps to the opposite position (according to the installation section of this manual softener); or carry out the necessary procedures for using the Multiblock block (depending on what you are the one using it).

If the installation has not been used for a long time, we recommend softener regeneration in manual mode, in accordance with Section 4.2. given instructions Protection against extreme temperatures: Do not install the softener where it is joining it (including drainage pipes and overflow hose) can be exposed to temperature below 5°C or above 40 °C.

1.2 Manufacturer

ECOSOFT 22 BV
Leuvensesteenweg 633,
1930, Zaventem,
Belgium

ECOSOFT SPC LTD
1ї, Pokrovska Str.,
08203, Irpin,
Ukraine

1.3 Safety rules

Electrical safety — we ask you use an adapter or battery (option) supplied with equipment Before using the device, check compatibility of the technical characteristics of the power supply unit with characteristics of the local power supply network.

A 50Hz 230V input voltage must be used to connect the water softener.



ELECTRIC SHOCK!

Danger to life due to electric shock.

Work with electrical equipment is allowed only to authorized service centers or qualified electricians who have been instructed.

1. INTRODUCTION



TOUCHING LIVE PARTS CAN LEAD TO ELECTRIC SHOCK

When carrying out service work with the control valve of the softener, turn off the power supply from the outlet.

The power cord cannot be replaced. If the power cord is damaged, the appliance should not be used. If the power cord is damaged, please ask consultation with a qualified electrician. In the event of a power outage during regeneration, ensure the draining of wastewater into the drain. So BE SURE to connect to a softener overflow hose and drainpipes and connect them to suitable for this drainage / sewage system to avoid spillage of water in the room.

Warning: Do not use aggressive detergents. Wipe contaminated surfaces dry with a damp cloth.

Maintenance: When carrying out installation and technical works maintenance and repair of the softener isolate it. To make the softener last longer maintained good work results, necessary regularly carry out service work service. In more detail you can find out about it by contacting the nearest one partner service organization of the Ecosoft company.



PIPELINES OF WATER SOFTENING SYSTEMS ARE UNDER PRESSURE

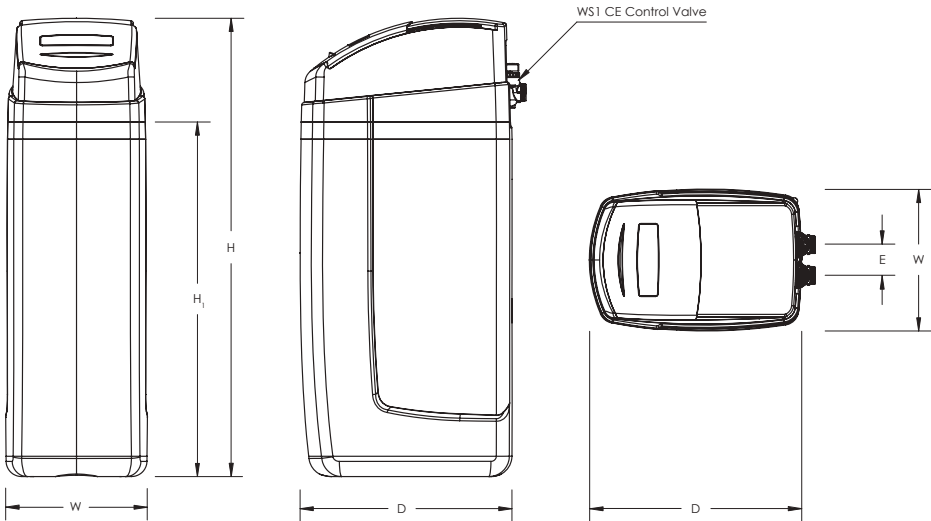
Before starting work with water softening systems, it is necessary to eliminate the pressure in the water supply.

Opening threaded connections or taps can cause injury!

Unauthorized modification or changes to the system design may adversely affect the safety of people and the operation of the system.

2. TECHNICAL DATA

2.1 DIMENSIONS



Model	Control valve port sizes (port height**, mm)				E (distance between Inlet / Outlet)	Dimensions*, mm			
	Water Inlet	Water Outlet	Drain Outlet	Brine Inlet		W	D	H	H ₁
FU1018CABCEMV	1" M (540)	1" M (540)	3/4" M (640)	3/8" CF (640)	78	350	524	700	450
FU0835CABCEMV	1" M (970)	1" M (970)	3/4" M (1070)	3/8" CF (1070)	78	350	524	1130	880
FK1035CABCEMIXC FU1035CABCEMV	1" M (970)	1" M (970)	3/4" M (1070)	3/8" CF (1070)	78	350	524	1130	880
FK1235CABCEMIXC FU1235CABCEMV	1" M (970)	1" M (970)	3/4" M (1070)	3/8" CF (1070)	78	350	524	1130	880

2. TECHNICAL DATA

2.2 FK CABINETS SERIES

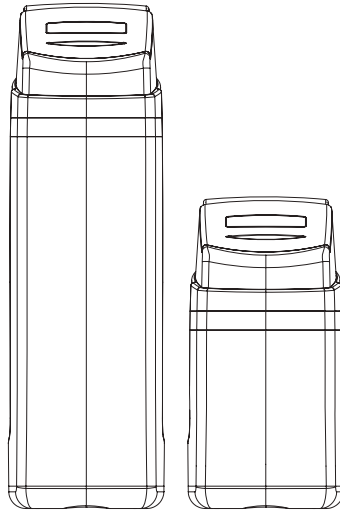
Parameter	FK1035CABCEMIXC	FK1235CABCEMIXC
Operating/maximum flow rate, m ³ /h	1.0/1.2	1.4/1.8
Quantity of ECOMIX®, L	25	37
Volume capacity, m ³ 250 mg/L CaCO ₃ influent hardness	3	4.5
Usage of salt per regeneration, kg	2.5 – 4.0	3.7 – 6.0
Usage of water per regeneration (discharge per regeneration), m ³	0.25	0.37
Duration of regeneration, minutes	80 – 110	
Pressure drop in service mode, bar	0.5	
Inlet pressure, bar	2 – 6	
Electrical requirements	230 V, 50 Hz	
Power consumption, W	30	
Inlet/outlet pipe connections	1"	
Dry weight, kg	30	
Overall dimensions, (Width × Depth × Height), mm	350 × 524 × 1130	

2.3 FU CABINETS SERIES

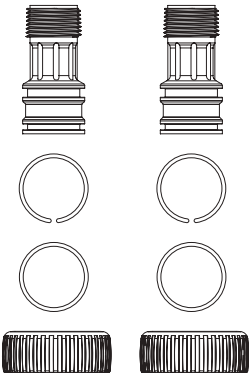
Parameter	FU1018CABCE	FU0835CABCE	FU1035CABCE	FU1235CABCE
Operating/maximum flow rate, m ³ /h	0.8/1.0	1.0/1.3	1.5/2.0	2.2/2.8
Quantity of DOWEX® HCR-S/S, L	12	18	25	37
Volume capacity, m ³ 250 mg/L CaCO ₃ influent hardness	2.4	3.5	5	7.5
Usage of salt per regeneration, kg	1.2 – 1.9	1.8 – 2.8	2.5 – 4.0	3.7 – 6.0
Usage of water per regeneration (discharge per regeneration), m ³	0.12	0.18	0.25	0.37
Duration of regeneration, minutes	80 – 110			
Pressure drop in service mode, bar	0.5			
Inlet pressure, bar	2 – 6			
Electrical requirements	230 V, 50 Hz			
Power consumption, W	30			
Inlet/outlet pipe connections	1"			
Dry weight, kg	18	25	30	42
Overall dimensions, (Width × Depth × Height), mm	350 × 524 × 700	350 × 524 × 1130	350 × 524 × 1130	350 × 524 × 1130

3. PRODUCT PACKAGE

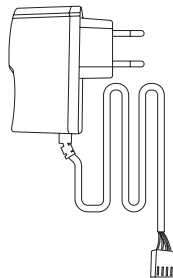
Ecosoft fabric softener comes in Kits with the following parts and blocks:



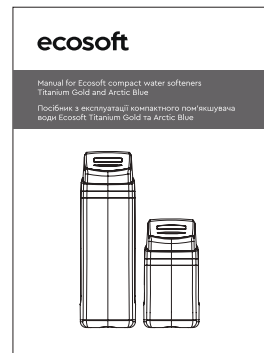
a) Softener body assembly
(includes pressure tank with media inside, Ecosoft CE control valve)



b) Connection kit



c) Plug connector for connection to power grids (EU)



d) Equipment manual

4. PREPARATION OF THE INSTALLATION SITE

- Installation area must meet all relevant building code. Water and power supply, and ambient conditions must meet Specification requirements of this manual.
- Observe all local plumbing and electrical code when connecting system to utilities.
- Install check valve when connecting the filter to water mains. Install second check valve after the system to prevent back flow.
- Particles such as sand, scale or rust can damage the control valve. Install a point-of-entry sediment filter.
- Equip the system with sampling taps and pressure gauges as shown on drawings. It will help in case any maintenance or troubleshooting is necessary.
- Install a vacuum relief valve as shown if there is a booster pump downstream of Ecosoft filters. The FRP tanks may implode if subjected to negative pressure.
- If your system does not include bypass valve assembly, run a bypass pipeline along the entire system. This may be necessary for diagnostics and maintenance.

5. INSTALLATION PROCEDURE OF FU/FK CABINETS

If your cabinet was delivered pre-loaded with media, place the cabinet in the installation spot, fill salt compartment with salt pellets, and then only carry out steps 5 – 8 of the procedure, skipping steps 1 – 4. If the resin was shipped in bag, then carry out all of the following steps.

- 1.** Disconnect the flexible tube from brine inlet of the control valve. Unmount the valve by screwing it counterclockwise.
- 2.** Put a plug or cap on the top end of the riser pipe to prevent getting any media inside the pipe. Pour the media in the tank using the funnel. When loading the tank, keep riser pipe vertical. If the pipe tilts, restore it to straight vertical direction. When finished, rinse the thread of tank opening with water to remove any beads of media stuck in the groove.
- 3.** Mate the top distributor with the top end of riser pipe, then screw control valve in the tank opening. Connect the free end of brine tube back to the brine inlet of the control valve.
- 4.** Place the cabinet in the installation spot. Open top lid and fill the salt compartment with softener salt pellets at least half full.
- 5.** Connect drain pipe to the male threaded drain outlet of the control valve. Run the drain pipe to floor drain or gravity drain pipe socket. Secure the drain pipe end above the receiving fixture with at least 1" air gap.
- 6.** Mount the pipe thread elbow adapters to the control valve's In and Out ports and tighten the coupling nuts. Do not put any mechanical load on fittings or use them to support pipes.

Connect the system to water supply and downstream pipework without turning on the water supply. Do not confuse In and Out ports. They are embossed with direction arrows.

5. INSTALLATION PROCEDURE OF FU/FK CABINETS

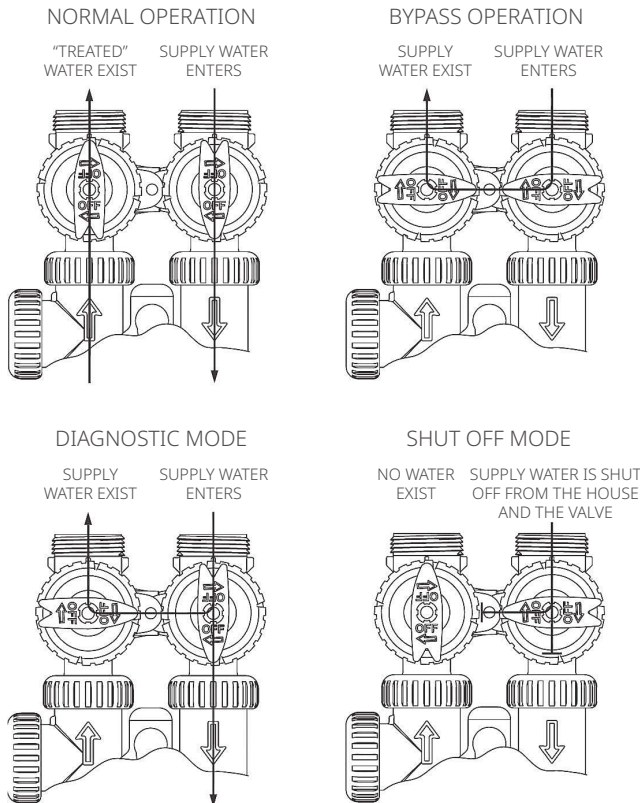
7. Remove the front panel by pulling the locking tabs on the left and right side. Run the power cord through the cord guide in the control valve's backplate and connect it to 12 VAC socket on the circuit board. Plug the power supply in the mains to power up the system.

8. Start manual regeneration of the system. Scroll regeneration to backwash if it isn't the 1st step of the sequence. When the control valve starts the backwash, turn on mains water supply slightly at first. Air will be displaced from the system via drain line while the pressure tank is being filled with water. When the tank is full, water will start flowing down the drain line. At this point, fully open mains water supply.

Let the system complete regeneration, then perform one more manual regeneration.

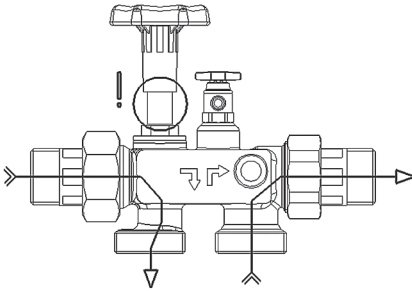
5.1 OPTIONAL EQUIPMENT

Softening systems can be additionally equipped with a Clack or Multiblock bypass valve. The Clack bypass valve is attached directly to the inlet and purified water pipes and has 4 operating modes, listed below:

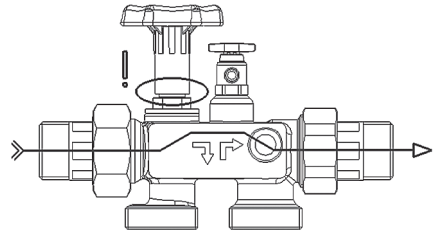


5. INSTALLATION PROCEDURE OF FU/FK CABINETS

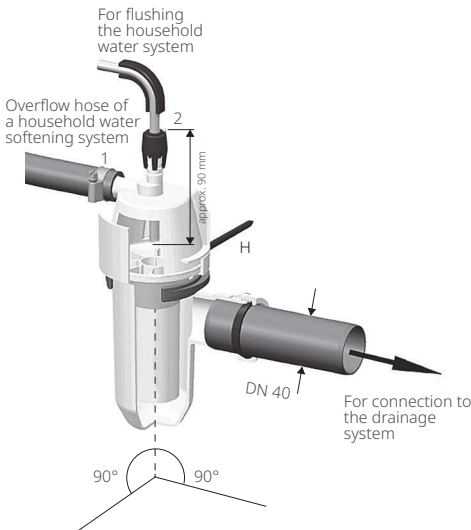
The multiblock performs a bypass function, is equipped with a sampler and has 2 modes of operation:



Open position — Supply via softener/ limescale protection system: handwheel in UPPER position (stop)



Bypass position — Supply via softener/ limescale protection system: handwheel in LOWER position (stop)



Place the fitting of the overflow hose **(1)** at least 20 mm below the height of the safety overflow of the domestic water softening system. Fix vertically with the bracket **(H)**.

Connect the flush water hose with a downward slope to the fitting **(2)** and insert to a depth of approx 90 mm.

Connect the overflow hose from the brine tank to the fitting **(1)** and fix with a hose clamp.

The flush water hose and the overflow hose mustn't be connected and mustn't have narrowing in the cross section.

6. QUICK SET UP GUIDE

After installing and powering up an Ecosoft FU or FK system, enter display language, water hardness, current time, and regeneration options in the **Installer** menu of control valve.

Use **▲** and **▼** buttons to change setting; **NEXT** button to save and go to next step; **CLOCK** to save and exit menu; **REGEN** to move back one step.

To proceed, hold **NEXT** and **▲** buttons simultaneously for 3 seconds.

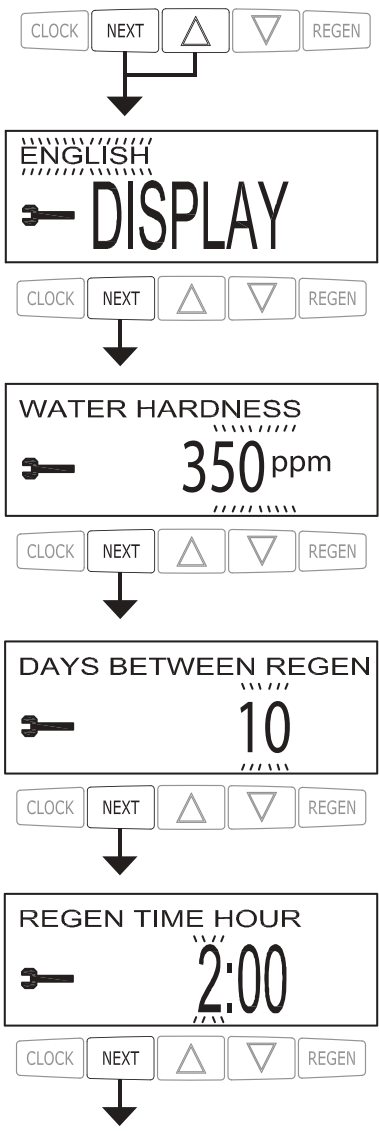
Language menu will show up. Select display language. This menu entry is only accessible in CE valves.

Hardness: Set the amount of hardness in grains of hardness as calcium carbonate per PPM, dH° or meq/l, using **▼** or **▲**. This display will not appear if «FILTERING» is selected in **Step 3SS** or if OFF or a number is set in **Step 9SS**. Press **NEXT** to go to **Step 4I**. Press **REGEN** to exit Installer Display Settings

If the control valve is equipped with internal hard water mixing valve, there will be Service Hardness entry (hardness of the mixed product water) after influent water hardness.

Set Day Override (maximum number of days in service, after which control valve will carry out preventive regeneration). 10 days is recommended. If the water is of poor quality, we recommend regeneration more often.

Set the preferred time of delayed regeneration, hours then minutes (factory set to 2 AM). Any time when water is not used can be set.



6. QUICK SET UP GUIDE

Choose whether to Turn off display backlight 5 minutes after last keypad input event (only accessible in CE valves). Pressing **NEXT** will exit the menu.



NORMAL MODE

Enter current time setting by pressing **CLOCK**.



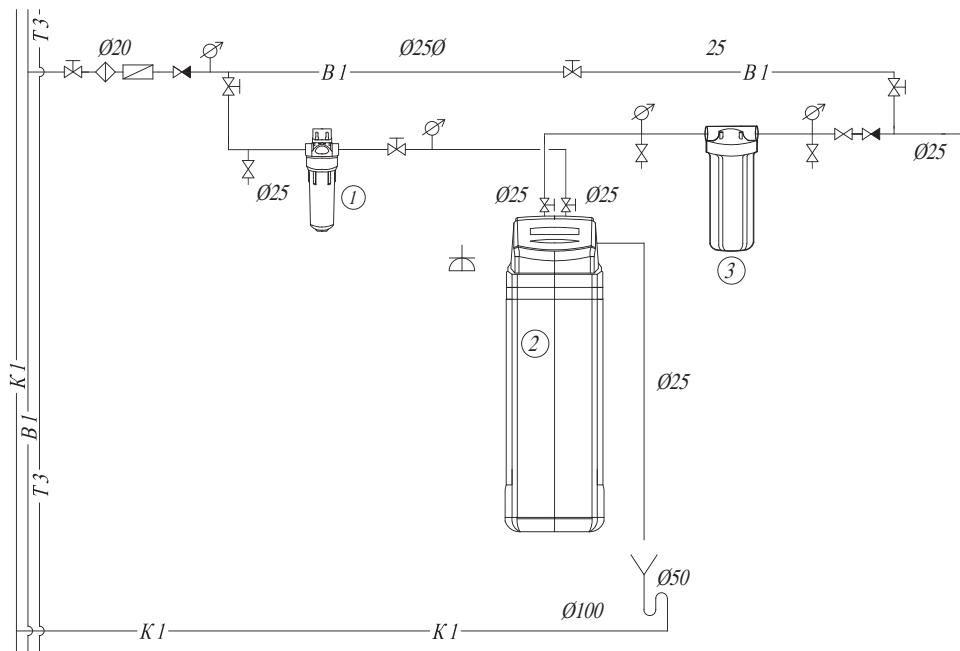
Set current time, hours then minutes.



NORMAL MODE

7. FK, FU INSTALLATION DIAGRAM

Compact water softener



8. SERVICE

8.1 MAINTENANCE WORK

To ensure proper operation softener, the user should regularly carry out the following checks:

Check the presence of salt and if necessary, add.

Check water hardness: hardness of drinking water and the hardness of mixed water should be checked no less than 2 times a year, if necessary, it should be adjusted the hardness of the mixed water (see the "Installation" section).

Check for tightness, carry out: visual inspection: check for possible leakage of all connections and pipelines. Check the cleanliness of the salt and saline solution storage capacity 1 time in 2 months, if necessary, clean and rinse clean water

The indicated terms of the recommended inspections are available are minimal and must be adjusted, depending on operating conditions.

8.2 USER RESPONSIBILITY

Any technical equipment requires regular maintenance.

Constantly monitor the quality and level of softened pressure water. If the water quality has changed, change it too parameter settings are set. If necessary, consult a specialist.

Regular checks by the operator are required as a guarantee normal functioning of the device. Emollient water should be regularly inspected compliance with the conditions of its operation.

Frequency of checks performed by the user:

After use: add salt for regeneration.

2 times a year: check the pressure.

2 times a year: check water quality.

Once a year: clean the salt tank.

8.3 SERVICE AND SPARE PARTS

Parts that wear out must also be replaced in the specified maintenance period so that to guarantee flawless operation of the installation and perform warranty conditions. Softener maintenance it is recommended to carry out once a year.

Replacement of wearing parts can be performed only qualified personnel (specialists of the organization water supply or service).

We recommend concluding a service contract service with our service department.

Cleaning: do not use alcohol for cleaning or alcohol-based detergents to avoid damage surfaces of plastic parts.

8.4 DISPOSAL

After the end of the service life of the installation contact Ecosoft Service to arrange softener replacement. Disposal of softener and of all electrical parts is carried out only in specialized recycling centers.

9. TROUBLESHOOTING

Problem	Cause	Correction
1. Decreased service flow capacity	Decreased supply water pressure	Increase supply water pressure
	Clogged filter bed	See paragraph 3
	Obstructed/clogged drain line	Clean the drain line
	Clogged control valve	Inspect and clean the control valve
	NHWBP/MAV failure (if used)	Inspect and repair the motorized valve
2. Decreased quality of treated water	Faulty chemical analysis of water	Perform one more test using freshly prepared reagents
	Supply water chemistry has changed	Make new check analysis and if changed contact your dealer
	Bypass valve is set to bypass	Turn bypass valve to operating position
	Riser pipe or seals are damaged	Take apart the filter, inspect and replace or lubricate pipe and seals if necessary
	Clogged filter bed	See paragraph 3
	Filter media loss	See paragraph 4
	Improper filter regeneration	See paragraph 6
3. Clogged filter bed	Leakage of raw water inside the control valve	Take apart the control valve, inspect and replace or lubricate the seals if needed
	Insufficient backwash flow rate	Check backwash flow rate. If supply pressure is within the limits and the flow rate is insufficient, inspect and clean the drain line flow control or replace it if needed
	Insufficient backwash stage	Increase the duration of backwash stage
	Clogged top distributor	Clean the top distributor
4. Filter media entrainment	Excessive backwash flow rate	Measure backwash flow rate. If supply pressure is normal and the flow rate is exceeding, consider changing the drain line flow control
	Filter media is entrained and discharged during backwash	Replace the top distributor if needed
5. System will not regenerate	Filter media is entrained and discharged during service	Replace the bottom distributor if needed
	No electric power	Check power supply
	No/insufficient salt in brine tank	Check the amount of salt in brine tank and add salt if needed
	Brine is not sucked in during regen., or not all brine is drawn	See paragraph 6
	Control valve is out of order or settings were changed	Check the control valve and its settings (see the manual for the control valve)
	Brine tank is not refilled or is refilled with not enough water	See paragraph 7

9. TROUBLESHOOTING

Problem	Cause	Correction
6. Brine will not draw during regeneration or not all brine will draw	Low supply water pressure	Check supply water pressure
	Clogged injector or brine tube	Clean brine injector and/or brine tube
	Clogged basket or salt crystals on ball in air check valve	Clean air check valve basket and/or ball
	High pressure drop on the filter (control valve, distributors or filter media are clogged)	See paragraphs 1 and 4
	Air is injected due to brine line not being airtight	Check airtightness of the drain line
	Control valve settings changed	Increase brine stage duration
7. Brine tank is not refilled or refilled with less water than needed	Low supply water pressure	Check supply water pressure
	Clogged injector or brine tube	Clean brine injector and/or brine tube
	Stuck ball in the air check valve	Clean the air check valve
	Control valve settings changed	Check the duration of brine tank refill and correct if necessary
8. Excess use of salt per regeneration	Control valve settings changed	Decrease the amount of salt per regeneration in the control valve settings
	Brine tank filled with excess water	See paragraph 9
9. Brine tank is refilled with excess water	High main water pressure	Check water pressure. Install pressure regulator if needed
	Control valve settings changed	Check the duration of brine tank refill and correct if necessary



10. GUARANTEE

WARRANTY OBLIGATIONS

The warranty period of the water purification system is 12 months and is counted from the day of sale of the system through the retail network (unless otherwise stated in the product warranty card).

The manufacturer guarantees that this water purification system does not contain manufacturing defects and that such defects will not be detected during the warranty period specified in the warranty card, from the moment of sale from the manufacturer's warehouse or retail network, in the event that the purification system is installed and operates in accordance with the technical requirements and operating conditions. Before using the water purification system, be sure to read the instructions for connecting and operating the water purification system and the terms of the warranty obligations.

Carefully check the appearance of the water purification system and its completeness. Submit all claims regarding appearance and completeness to the seller upon receipt of the product.

We reserve the right to make changes to the design, configuration, or manufacturing technology, such changes do not impose obligations to replace or improve previously released products.

The warranty card is valid only if the model, date of sale, and clear stamps of the seller are correctly specified.

Consumer claims, in accordance with current legislation, can be submitted during the warranty period of operation, provided that the defects of the water purification system did not arise as a result of:

- non-observance of the conditions of operation and storage of systems specified in the instructions for connection and operation of the system;
- caused by transport damage, incorrect installation, careless use or misuse, connection to a power supply voltage that does not correspond to that specified in the operating instructions, failure to follow the attached connection and operating instructions;
- operation with unremedied defects, or with defects that arose as a result of maintenance or repair by persons or organizations that are not representatives of an authorized service center;
- causes independent of the manufacturer, such as: power supply voltage drops, natural phenomena, and natural disasters, fire, ingress of foreign objects (liquids) or other substances into the product;
- external and internal contamination, scratches, cracks, bruises, abrasions, and other mechanical damage that occurred during operation;
- changing the design or unauthorized opening of system nodes, when changing the serial number of the product or the date of manufacture;
- untimely replacement of elements, the terms of which are indicated in the instructions for connection and operation, as well as when using replaceable elements of other manufacturers.

10. GUARANTEE

WARRANTY OBLIGATIONS

Warranty obligations do not extend to:

- replaceable elements (cartridges, reverse osmosis membrane, carbon postfilter, mineralized, and other replaceable elements that can be equipped with the system) and sealing rings;
- components that need to be replaced as a result of their wear and tear;
- types of work, such as adjustment, cleaning, replacement of consumables, and other care of water purification systems, stipulated by the instructions for connecting and operating the product.

The manufacturer shall not be liable for any damage or any other damage, including lost profits, arising incidentally or as a result of the use or inability to use this product. The material liability of the Manufacturer under this Warranty cannot exceed the cost of the water treatment system.

In the case of an independent connection of the system, the manufacturer is not responsible and does not accept claims that may be caused by incorrect connection and incorrect operation of the system as a whole. The list of authorized service centers is indicated on the website <https://ecosoft.ua/contacts/>

All claims regarding the quality of water, taste, smell and other properties of water purified with the help of water purification systems are accepted only in the presence of a confirming protocol of analysis performed by a research accredited laboratory in accordance with the ISO 17025 standard.

Cases not covered by this Warranty are regulated by the Legislation.

11. SERIAL INFORMATION

INSTALLATION

date of installation

address and phone

accepted (customer`s name and signature)

INSTALLER

organization

date of sells

address and phone

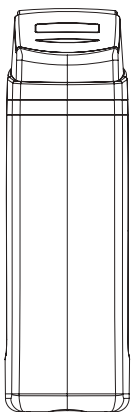
dealer company

works accomplished (name and signature)

saller name

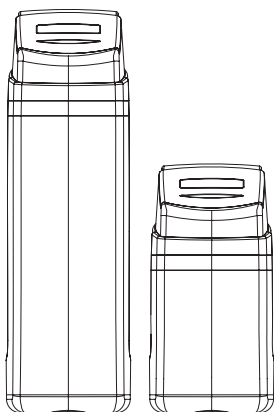


СЕРІЯ КОМПАКТНИХ ПОМ'ЯКШУВАЧІВ ВОДИ ECOSOFT



Компактний пом'якшувач води ADVANCED

Артикул	Опис	Кількість ЕСОМІХ®, л
FK1035CABCEMIX	Ecosoft FK1035CABCEMIX компактні покращені пом'якшувачі води	25
FK1235CABCEMIX	Ecosoft FK1235CABCEMIX компактні покращені пом'якшувачі води	37



Компактний пом'якшувач води

Артикул	Опис	Кількість смоли, л
FU1018CABCEMV	Компактний пом'якшувач води Ecosoft FU1018CABCE	12
FU0835CABCEMV	Компактний пом'якшувач води Ecosoft FU0835CABCE	18
FU1035CABCEMV	Компактний пом'якшувач води Ecosoft FU1035CABCE	25
FU1235CABCEMV	Компактний пом'якшувач води Ecosoft FU1235CABCE	37

ЗМІСТ

1	Вступ	22
1.1	Загальні положення	22
1.2	Виробник	22
1.3	Правила безпеки	22
2	Технічні дані	24
2.1	Габарити	24
2.2	Серія кабінетів FK	25
2.3	Серія кабінетів FU	25
3	Упаковка продукту	26
4	Підготовка місця встановлення	27
5	Процедура встановлення кабінетів FU/FK	27
5.1	Додаткове обладнання	28
6	Посібник з швидкого налаштування	30
7	Схема монтажу FK, FU	32
8	Обслуговування	33
8.1	Технічне обслуговування	33
8.2	Відповідальність користувача	33
8.3	Сервіс та запасні частини	33
8.4	Утилізація	33
9	Усунення несправностей	34
10	Гарантія	36
11	Серійна інформація	37

1. ВСТУП

1.1 Загальні положення

Установку фільтра повинен виконувати фахівець з відповідною кваліфікацією та досвідом. Діти віком від 8 років і старше, а також люди з обмеженими фізичними, сенсорними і розумовими здібностями, при відсутності необхідних знань і досвіду для використання даного пристрою, можуть використовувати пом'якшувач тільки під наглядом і з дотриманням зазначених правил безпеки обладнання та розуміючи пов'язані з цим небезпеки. Очищення та обслуговування приладу не повинно проводитися дітьми без нагляду дорослих. Не дозволяйте дітям гратися з пристроєм!

Якщо пом'якшувач не використовується протягом тривалого часу, вимкніть його: якщо ви не плануєте найближчим часом іноді використовувати обладнання (наприклад, під час відпустки), переведіть його в режим байпасу і відключіть від водопровідної мережі. Для цього необхідно перевести три крани в протилежне положення (відповідно до розділу установки цього посібника з експлуатації пом'якшувача); або виконати необхідні процедури по використанню блоку Multiblock (в залежності від того, для чого ви його використовуєте).

Якщо установка не використовувалася протягом тривалого часу, ми рекомендуємо провести регенерацію пом'якшувача в ручному режимі, відповідно до розділу 4.2. даної інструкції. Захист від екстремальних температур: Не встановлюйте пом'якшувач там, де його з'єднання (включаючи дренажні труби та переливний шланг) можуть піддаватися впливу температури нижче 5°C або вище 40°C.

1.2 Виробник

ECOSOFT 22 BV
Leuvensesteenweg 633,
1930, Завентем,
Бельгія

ТОВ «НВО «ЕКОСОФТ»
вул. Покровська, 1ї,
08203, Ірпінь,
Україна

1.3 Правила безпеки

Електробезпека — просимо використовувати адаптер або акумулятор (опція), що постачається з обладнанням. Перед використанням пристрою перевірте сумісність технічних характеристик блоку живлення з характеристиками місцевої електромережі.

Для підключення пом'якшувача води необхідно використовувати вхідну напругу 50 Гц 230 В.



ЕЛЕКТРИЧНИЙ СТРУМ!

Небезпека для життя через ураження електричним струмом.

Робота з електрообладнанням дозволяється тільки авторизованим сервісним центрам або кваліфікованим електрикам, які пройшли інструктаж.

1. ВСТУП



ДОТИК ДО СТРУМОВЕДУЧИХ ЧАСТИН МОЖЕ ПРИЗВЕСТИ ДО УРАЖЕННЯ ЕЛЕКТРИЧНИМ СТРУМОМ

При проведенні сервісних робіт з клапаном управління пом'якшувача необхідно відключити електроживлення від розетки.

Шнур живлення не підлягає заміні. Якщо шнур живлення пошкоджений, прилад не можна використовувати. Якщо шнур живлення пошкоджений, зверніться за консультацією до кваліфікованого електрика. У разі відключення електроенергії під час регенерації забезпечте злив стічних вод у каналізацію. Тому **ОБОВ'ЯЗКОВО** під'єднайте до пом'якшувача переливний шланг і зливні труби та підключіть їх до відповідної для цього дренажної/каналізаційної системи, щоб уникнути розливу води в приміщенні.

Попередження: Не використовуйте агресивні миючі засоби. Забруднені поверхні витирайте насухо вологою ганчіркою.

Обслуговування: При проведенні монтажних і технічних робіт з обслуговування і ремонту пом'якшувача необхідно його ізолювати. Для того, щоб пом'якшувач служив довше і зберігав хороші результати роботи, необхідно регулярно проводити сервісне обслуговування. Більш детально про це можна дізнатися, звернувшись до найближчої партнерської сервісної організації компанії «Екософт».



ТРУБОПРОВІДИ СИСТЕМ ПОМ'ЯКШЕННЯ ВОДИ ЗНАХОДЯТЬСЯ ПІД ТИСКОМ

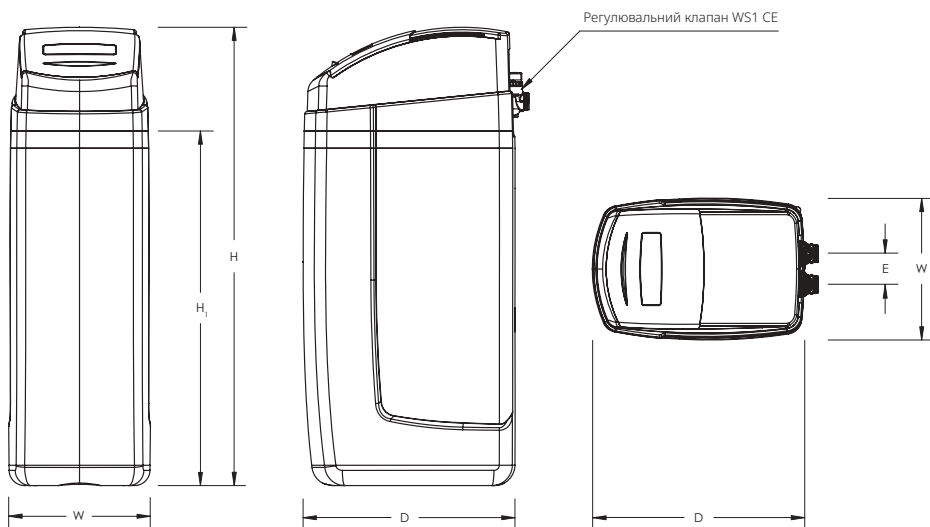
Перед початком роботи з системами пом'якшення води необхідно усунути тиск у водопроводі.

Відкривання різьбових з'єднань або кранів може призвести до травмування!

Несанкціонована модифікація або зміна конструкції системи може негативно вплинути на безпеку людей і роботу системи.

2. ТЕХНІЧНІ ДАНІ

2.1 ГАБАРИТИ



Розміри отворів регулюючого клапана (висота отвору**, мм)

Розміри*, мм

Модель	Вхід води	Вихід води	Зливний отвір	Сольова лінія	E	W	D	H	H ₁
FU1018CABCEMV	1" M (540)	1" M (540)	3/4" M (640)	3/8" CF (640)	78	350	524	700	450
FU0835CABCEMV	1" M (970)	1" M (970)	3/4" M (1070)	3/8" CF (1070)	78	350	524	1130	880
FK1035CABCEMIXC FU1035CABCEMV	1" M (970)	1" M (970)	3/4" M (1070)	3/8" CF (1070)	78	350	524	1130	880
FK1235CABCEMIXC FU1235CABCEMV	1" M (970)	1" M (970)	3/4" M (1070)	3/8" CF (1070)	78	350	524	1130	880

2. ТЕХНІЧНІ ДАНІ

2.2 СЕРІЯ КАБІНЕТІВ FK

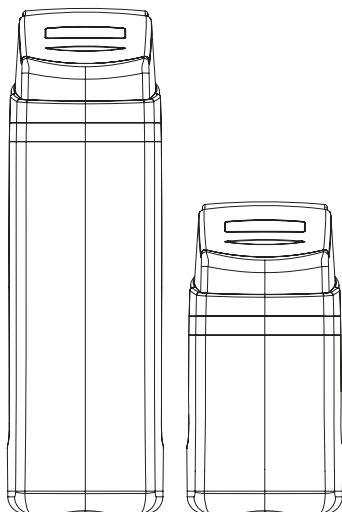
Параметр	FK1035CABCEMIXC	FK1235CABCEMIXC
Робоча/максимальна продуктивність, м ³ /год	1.0/1.2	1.4/1.8
Кількість ЕСОМІХ®, л	25	37
Ресурс, м ³ (при жорсткості 5 мг-екв/л)	3	4.5
Використання солі на регенерацію, кг	2.5 – 4.0	3.7 – 6.0
Використання води на регенерацію (скид за регенерацію), м ³	0.25	0.37
Тривалість регенерації, хвилин	80 – 110	
Падіння тиску в робочому режимі, бар	0.5	
Тиск на вході, бар	2 – 6	
Вимоги до електрики	230 В, 50 Гц	
Споживана потужність, Вт	30	
З'єднання входних/вихідних труб	1"	
Маса сухої системи, кг	30	
Габаритні розміри, (Ширина × Глибина × Висота), мм	350 × 524 × 1130	

2.3 СЕРІЯ КАБІНЕТІВ FU

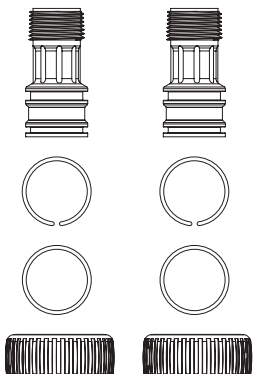
Параметр	FU1018CABCE	FU0835CABCE	FU1035CABCE	FU1235CABCE
Роб./макс. продуктивність, м ³ /год	0.8/1.0	1.0/1.3	1.5/2.0	2.2/2.8
Кількість DOWEX® HCR-S/S, L	12	18	25	37
Ресурс, м ³ (при жорсткості 5 мг-екв/л)	2.4	3.5	5	7.5
Використання солі на регенерацію, кг	1.2 – 1.9	1.8 – 2.8	2.5 – 4.0	3.7 – 6.0
Використання води на регенерацію (скид за регенерацію), м ³	0.12	0.18	0.25	0.37
Тривалість регенерації, хв	80 – 110			
Падіння тиску в робочому режимі, бар	0.5			
Тиск на вході, бар	2 – 6			
Вимоги до електрики	230 В, 50 Гц			
Споживана потужність, Вт	30			
З'єднання входних/вихідних труб	1"			
Маса сухої системи, кг	18	25	30	42
Габаритні розміри, (Ширина × Глибина × Висота), мм	350 × 524 × 700	350 × 524 × 1130	350 × 524 × 1130	350 × 524 × 1130

3. УПАКОВКА ПРОДУКТУ

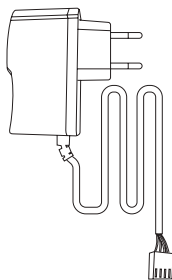
Пом'якшувач для води Ecosoft
Комплектується наступними деталями та блоками:



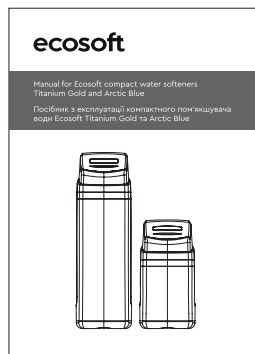
а) Корпус пом'якшувача в зборі
(включає балон з іонообмінним матеріалом, регулюючий клапан Clack CE)



б) Комплект підключення



с) Блок живлення (EC)



д) Посібник з експлуатації обладнання

4. ПІДГОТОВКА МІСЦЯ ВСТАНОВЛЕННЯ

- Місце встановлення повинно відповідати всім відповідним будівельним нормам і правилам. Водо- та електропостачання, а також умови навколишнього середовища повинні відповідати специфікаціям, наведеним у цьому посібнику.
- Під час підключення системи до інженерних мереж дотримуйтесь усіх місцевих сантехнічних та електричних норм і правил.
- Встановіть зворотний клапан при підключенні фільтра до водопроводу. Встановіть другий зворотний клапан після системи, щоб запобігти зворотному потоку.
- Частинки, такі як пісок, окалина або іржа, можуть пошкодити регулювальний клапан. Встановіть осадковий фільтр на вході.
- Обладняйте систему кранами для відбору проб і манометрами, як показано на кресленнях. Це допоможе в разі необхідності технічного обслуговування або усунення несправностей.
- Якщо після фільтрів Ecosoft встановлений підкачувальний насос, встановіть клапан скидання вакууму, як показано на малюнку. Резервуари зі склопластику можуть вибухнути під дією від'ємного тиску.
- Якщо у вашій системі немає байпасного клапана, прокладіть байпасний трубопровід вздовж усієї системи. Це може знадобитися для діагностики та обслуговування.

5. ПРОЦЕДУРА ВСТАНОВЛЕННЯ КАБІNETІВ FU/FK

Якщо система була попередньо завантажена іонообмінними матеріалами, встановіть систему на місце установки, заповніть відсік для солі таблетованою сіллю, а потім виконайте тільки кроки 5 — 8, пропускаючи кроки 1 —4. Якщо смола була доставлена в мішку, то виконайте всі наступні кроки.

1. Від'єднайте гнучку трубку від входу розсолу на керувальному клапані. Зніміть клапан, відкрутивши його проти годинникової стрілки.
2. Закрийте верхній кінець центральної труби заглушкою або ковпачком, щоб запобігти потраплянню смоли всередину труби. За допомогою лійки засипте смолу в балон. Під час завантаження балону тримайте центральну трубу вертикально. Якщо труба нахилилася, поверніть її у пряме вертикальне положення. Закінчивши, промийте різьбу отвору балону водою, щоб видалити застрягли в канавці частинки смоли.
3. З'єднайте верхній дистриб'ютор з верхнім кінцем центральної труби, а потім вкрутіть керувальний клапан в отвір балону. Приєднайте вільний кінець трубки для розсолу назад до входу розсолу на керувальному клапані.
4. Встановіть кабінет на місце встановлення. Відкрийте верхню кришку і заповніть відсік для солі таблетованою сіллю щонайменше наполовину.
5. Підключіть зливну трубу до дренажного отвору з зовнішньою різьбою на керувальному клапані. Підведіть зливну трубу до дренажного отвору в підлозі або до гнізда самопливної зливної труби. Закріпіть кінець зливної труби над дренажним пристроєм з повітряним зазором не менше 1".
6. Встановіть кутові підключення з трубою різьбою на вхідні та вихідні отвори керувального клапана та затягніть накидні гайки. Не піддавайте фітинги механічному навантаженню та не використовуйте їх як опору для труб. Підключіть систему до водопроводу, не вмикаючи водопостачання. Не переплутайте вхідний і вихідний отвори. Вони позначені стрілками, що вказують напрямком.

5. ПРОЦЕДУРА ВСТАНОВЛЕННЯ КАБІНЕТІВ FU/FK

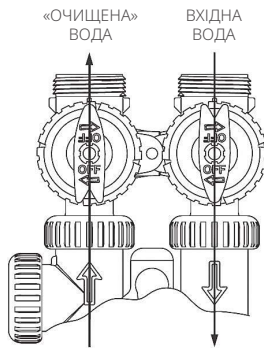
7. Зніміть передню кришку клапана, потягнувши за фіксатори з лівого та правого боку. Проведіть шнур живлення через направляючу в задній панелі клапана керування та підключіть його до гнізда 12 В змінного струму на платі. Увімкніть блок живлення в мережу, щоб увімкнути систему.

8. Запустіть ручну регенерацію системи. Пропустіть регенерацію до зворотного промивання, якщо це не 1-й крок послідовності. Коли керувальний клапан почне зворотну промивку, спочатку злегка ввімкніть подачу води з мережі. Повітря буде витіснятися з системи через дренажну лінію, поки балон наповнюється водою. Коли балон заповниться, вода почне стікати по зливному трубопроводу. У цей момент повністю відкрийте водопровід. Дайте системі завершити регенерацію, потім виконайте ще одну регенерацію вручну.

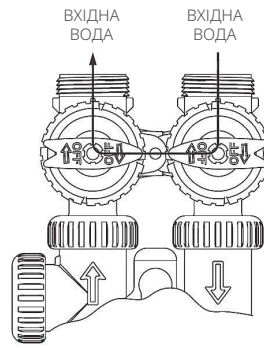
5.1 ДОДАТКОВЕ ОБЛАДНАННЯ

Системи пом'якшення можуть бути додатково обладнані байпасним клапаном Clack або Multiblock. Байпасний клапан Clack встановлюється безпосередньо на трубах вхідної та очищеної води і має 4 режими роботи, перелічені нижче:

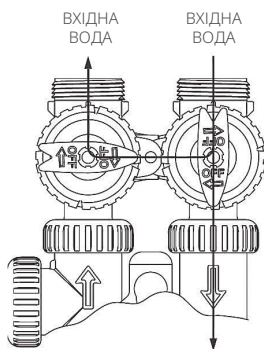
НОРМАЛЬНИЙ РЕЖИМ РОБОТИ



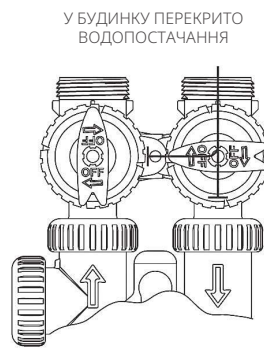
РЕЖИМ БАЙПАСУ



РЕЖИМ ДІАГНОСТИКИ



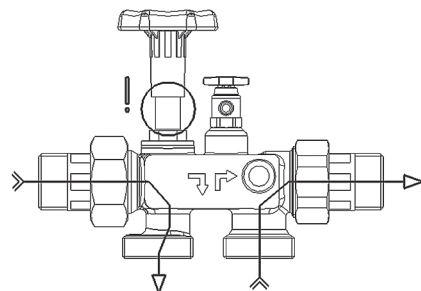
РЕЖИМ ВИМКНЕННЯ



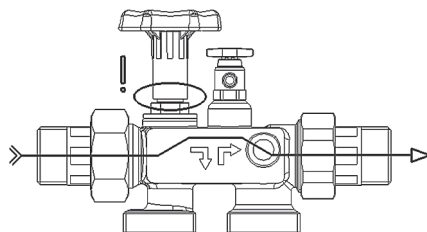
У БУДИНКУ ПЕРЕКРИТО
ВОДОПОСТАЧАННЯ

5. ПРОЦЕДУРА ВСТАНОВЛЕННЯ КАБІНЕТІВ FU/FK

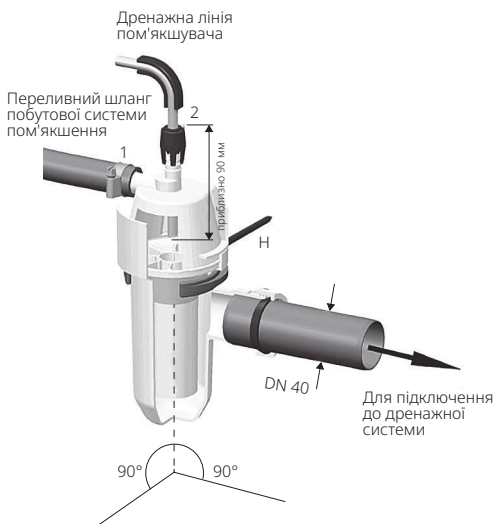
Мультиблок виконує функцію байпасу, оснащений пробовідбірником і має 2 режими роботи:



Відкрите положення — подача через пом'якшувач/систему захисту від накипу: ручка у ВЕРХНЬОМУ положенні



Байпасне положення — подача через пом'якшувач/систему захисту від накипу: ручка у нижньому положенні



Встановіть фітінг переливного шланга **(1)** щонайменше на 20 мм нижче рівня запобіжного переливу побутової системи пом'якшення води. Закріпіть вертикально за допомогою кронштейна **(H)**.

Підключіть шланг для змиву води з нахилом донизу до фітінга **(2)** і вставте його на глибину приблизно 90 мм.

Підключіть переливний шланг від резервуара для розсолу до фітінга **(1)** і зафіксуйте його хомутом.

Шланг для змиву і переливний шланг не повинні бути з'єднані і не повинні мати звуження в поперечному перерізі.

6. ПОСІБНИК З ШВИДКОГО НАЛАШТУВАННЯ

Після встановлення та увімкнення системи Ecosoft FU або FK введіть мову дисплея, жорсткість води, поточний час та параметри регенерації в меню інсталятора на регулюючому клапані.

Використовуйте кнопки ▲ і ▼ для зміни налаштувань; кнопку **NEXT** для збереження і переходу до наступного кроку; кнопку **CLOCK** для збереження і виходу з меню; кнопку **REGEN** для повернення на один крок назад.

Щоб продовжити, одночасно утримуйте кнопки **NEXT** і ▲ на 3 секунди.

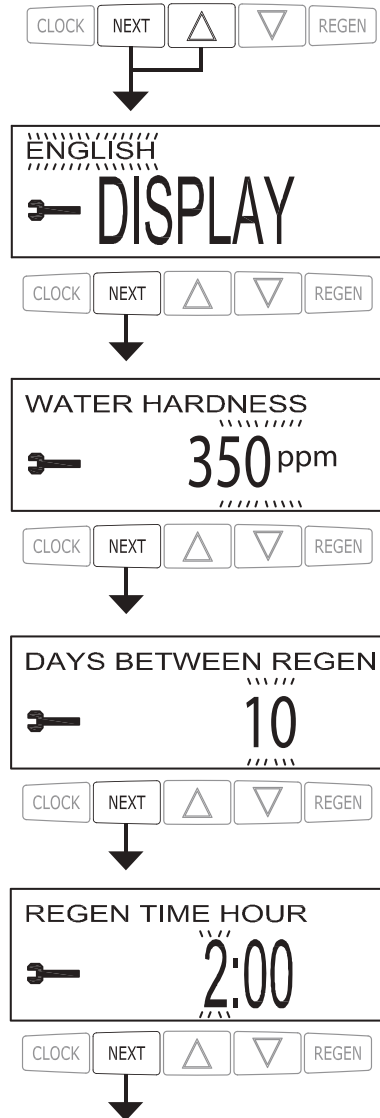
З'явиться мовне меню. Виберіть мову дисплея. Цей пункт меню доступний лише для клапанів CE.

Жорсткість: Встановіть кількість твердості в зернах твердості у вигляді карбонату кальцію на PPM, dH° або мекв/л, використовуючи ▼ або ▲. Цей дисплей не з'явиться, якщо на **кроці 3SS** вибрано «ФІЛЬТРУВАННЯ», або якщо на **кроці 9SS** встановлено значення OFF, або задано число. Натисніть **NEXT**, щоб перейти до **кроку 4I**. Натисніть **REGEN**, щоб вийти з налаштувань дисплея інсталятора.

Якщо регульовальний клапан оснащений внутрішнім змішувальним клапаном жорсткої води, після жорсткості вхідної води буде введено значення робочої жорсткості (жорсткість змішаної води продукту).

Встановіть Day Override (максимальна кількість днів в експлуатації, після якої регулюючий клапан буде проводити профілактичну регенерацію). Рекомендується 10 днів. Якщо вода поганої якості, ми рекомендуємо проводити регенерацію частіше.

Встановіть бажаний час відкладеної регенерації, спочатку в годинах, потім у хвилинах (за замовчуванням встановлено 2 години ночі). Можна встановити будь-який час, коли вода не використовується.



6. ПОСІБНИК З ШВИДКОГО НАЛАШТУВАННЯ

Виберіть, чи потрібно вимикати підсвічування дисплея через 5 хвилин після останньої події введення з клавіатури (доступно лише для клапанів CE). Натискання кнопки **NEXT** призведе до виходу з меню.



↓
НОРМАЛЬНИЙ РЕЖИМ

Введіть поточний час, натиснувши кнопку **CLOCK**.



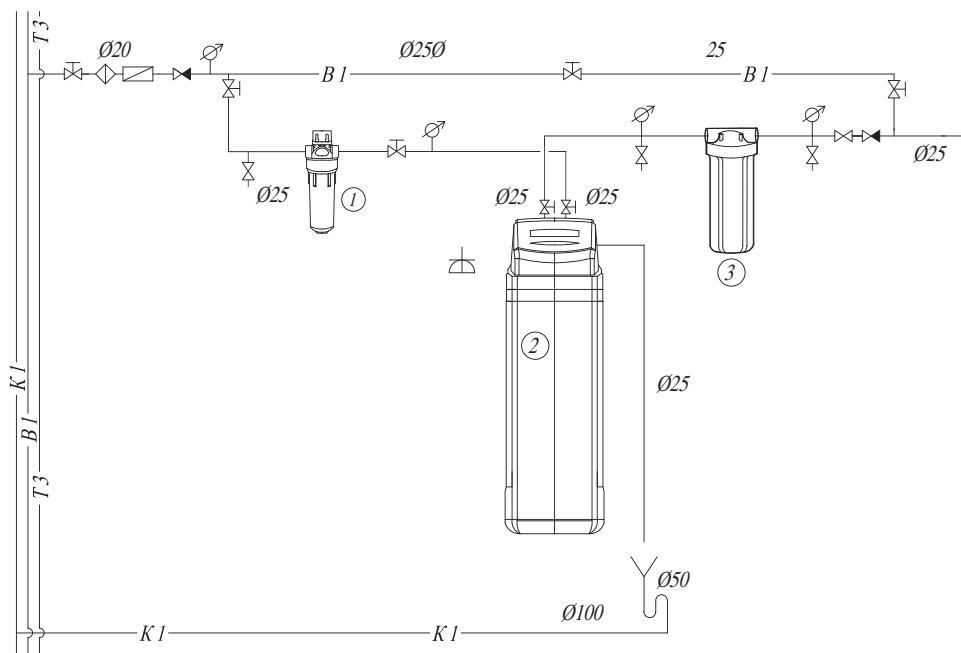
Встановіть поточний час, години, потім хвилини.



↓
НОРМАЛЬНИЙ РЕЖИМ

7. СХЕМА МОНТАЖУ FK, FU

Компактний пом'якшувач води



8. ОБСЛУГОВУВАННЯ

8.1 ТЕХНІЧНЕ ОБСЛУГОВУВАННЯ

Для забезпечення належної роботи пом'якшувача користувач повинен регулярно проводити наступні перевірки:

Перевірте наявність солі і при необхідності додайте її.

Перевіряйте жорсткість води: жорсткість питної води і жорсткість змішаної води слід перевіряти не рідше 2 разів на рік, при необхідності слід відрегулювати жорсткість змішаної води (див. розділ «Встановлення»).

Перевірте герметичність, проведіть: візуальний огляд: перевірте на предмет можливого протікання всіх з'єднань і трубопроводів. Перевіряти чистоту ємності для зберігання солі і фізіологічного розчину 1 раз на 2 місяці, при необхідності очистити і промити чистою водою.

Зазначені терміни рекомендованих перевірок є мінімальними і повинні бути скориговані в залежності від умов експлуатації..

8.2 ВІДПОВІДАЛЬНІСТЬ КОРИСТУВАЧА

Будь-яке технічне обладнання потребує регулярного обслуговування.

Постійно контролюйте якість і рівень пом'якшеної напірної води. Якщо якість води змінилася, змініть налаштування параметрів. За необхідності зверніться до фахівця. Регулярні перевірки з боку оператора є гарантією нормального функціонування пристрою.

Пом'якшувач води слід регулярно перевіряти на відповідність умовам його експлуатації.

Частота перевірок, що виконуються користувачем:

Після використання: додати сіль для регенерації.

2 рази на рік: перевіряти тиск.

2 рази на рік: перевіряти якість води.

1 раз на рік: очищайте резервуар для солі.

8.3 СЕРВІС ТА ЗАПАСНІ ЧАСТИНИ

Для забезпечення бездоганної роботи установки та виконання гарантійних зобов'язань необхідно замінювати деталі, що зношуються, у зазначений період технічного обслуговування. Технічне обслуговування пом'якшувача рекомендується проводити один раз на рік.

Заміну швидкозношуваних деталей може виконувати тільки кваліфікований персонал (фахівці водопостачальної або сервісної організації).

Ми рекомендуємо укласти договір на обслуговування з нашим сервісним відділом.

Очищення: не використовуйте спирт для очищення або миючі засоби на спиртовій основі, щоб уникнути пошкодження поверхонь пластикових деталей..

8.4 УТИЛІЗАЦІЯ

Після закінчення терміну служби установки зверніться до Ecosoft Service для організації заміни пом'якшувача. Утилізація пом'якшувача і всіх електричних частин здійснюється тільки в спеціалізованих центрах утилізації.

9. УСУНЕННЯ НЕСПРАВНОСТЕЙ

Проблема	Причина	Рішення
1. Зменшення пропускної здатності сервісного потоку	Зниження тиску водопостачання	Підвищити тиск подачі води
	Забитий фільтруючий шар	Див. пункт 3
	Перешкода/засмічення зливної лінії	Прочистіть зливну лінію
	Забився клапан управління	Огляньте та почистіть регулювальний клапан
	Відмова NHWP/MAV (якщо використовується)	Перевірте та відремонтуйте клапан з електроприводом
2. Зниження якості очищеної води	Неправильний хімічний аналіз води	Виконайте ще один тест, використовуючи свіжоприготовані реагенти
	Змінився хімічний склад водопровідної води	Зробіть новий аналіз чеків і, якщо щось змінилося зверніться до свого дилера
	Байпасний клапан встановлено на байпас	Поверніть байпасний клапан в робоче положення
	Пошкоджено стояк або ущільнення	Розберіть фільтр, перевірте та замініть або за необхідності змастити трубу та ущільнення
	Забитий фільтруючий шар	Див. пункт 3
	Втрата фільтруючого матеріалу	Див. пункт 4
	Неправильна регенерація фільтра	Див. пункт 6
	Витік сирі води всередину регулятора клапан	Розберіть регулюючий клапан, огляньте і за потреби замініть або змастіть ущільнення
3. Засмічення фільтруючого шару	Недостатня швидкість потоку зворотного промивання	Перевірте швидкість потоку зворотного промивання. Якщо тиск подачі знаходиться в межах норми, а швидкість потоку недостатня, перевірте та очистіть регулятор потоку зливної лінії або за потреби замініть його
	Недостатня стадія зворотного промивання	Збільшити тривалість етапу зворотного промивання
	Забитий верхній розподільник	Очистіть верхній розподільник
	Надмірна витрата води для зворотного промивання	Виміряйте швидкість потоку зворотного промивання. Якщо тиск подачі в нормі, а витрата перевищує норму, розгляньте можливість заміни регулятора витрати на зливній лінії
4. Захоплення фільтруючого матеріалу	Під час експлуатації фільтрувальний матеріал захоплюється і вивантажується	За потреби замініть верхній розподільник
	Filter media is entrained and discharged during service.	За потреби замініть нижній розподільник

9. УСУНЕННЯ НЕСПРАВНОСТЕЙ

Проблема	Причина	Рішення
5. Система не регенерується	Немає електрики	Перевірте живлення
	Відсутність/недостатня кількість солі в розсолі	Перевірте кількість солі в ємності для розсолу і посолити, якщо потрібно
	Розсіл не всмоктується під час регенерації, або не весь розсіл витягується	Див. пункт 6
	Клапан керування вийшов з ладу або були змінені налаштування	Перевірте регулювальний клапан і його налаштування (див. інструкцію до регулювального клапана)
	Резервуар для розсолу не заповнюється або заповнюється з недостатньою кількістю води	Див. пункт 7
6. Під час регенерації розсіл не всмоктується або всмоктується не весь розсіл	Низький тиск водопостачання	Перевірте тиск подачі води
	Засмічення інжектора або трубки розсолу	Очистіть інжектор розсолу та/або трубку розсолу
	Забита корзина або кристали солі на кульці повітряного зворотного клапана	Очистіть кошик та/або кульку повітряного зворотного клапана
	Високий перепад тиску на фільтрі (засмічення регулюючого клапана, розподільників або фільтруючого матеріалу)	Див. пункти 1 і 4
	Повітря потрапляє через негерметичність розсолотривою	Перевірте герметичність зливної лінії
	Змінено налаштування регулюючого клапана	Збільшити тривалість стадії розсолу
7. Бак для розсолу не поповнюється або поповнюється меншою кількістю води, ніж потрібно	Низький тиск водопостачання	Перевірте тиск подачі води
	Засмічення інжектора або трубки розсолу	Очистіть інжектор розсолу та/або трубку розсолу
	Застрягла кулька в повітряному зворотному клапані	Очистіть повітряний зворотний клапан
	Змінено налаштування регулюючого клапана	Перевірте тривалість поповнення розсолу в баку та виправити, якщо потрібно
8. Надмірне використання солі на одну регенерацію	Змінено налаштування регулюючого клапана	Зменшіть кількість солі на регенерацію в налаштуваннях регулюючого клапана
	Бак для розсолу заповнений надлишком води	Див. пункт 9
9. Розсольний бак доливається від надлишку води	Високий тиск у водопроводі	Перевірте тиск води. Встановіть тиск регулятора, якщо це необхідно
	Змінено налаштування регулюючого клапана	Перевірте тривалість поповнення розсолу в баку та виправити, якщо потрібно

10. ГАРАНТІЯ

ГАРАНТІЙНІ ЗОБОВ'ЯЗАННЯ

Гарантійний термін експлуатації системи очищення води становить 12 місяців і відраховується від дня продажу системи через роздрібну мережу (якщо інше не зазначено в гарантійному талоні на виріб).

Виробник гарантує, що дана система очищення води не містить виробничих дефектів і що такі дефекти не будуть виявлені протягом гарантійного терміну, зазначеного в гарантійному талоні, з моменту продажу зі складу виробника або роздрібною мережі, в разі, якщо система очищення встановлена і експлуатується відповідно до технічних вимог і умов експлуатації. Перед початком експлуатації системи очищення води обов'язково ознайомтеся з інструкцією по підключенню та експлуатації системи очищення води та умовами гарантійних зобов'язань.

Уважно перевірте зовнішній вигляд системи очищення води та її комплектність. Усі претензії щодо зовнішнього вигляду та комплектності пред'являйте продавцю після отримання товару.

Ми залишаємо за собою право вносити зміни в конструкцію, конфігурацію або технологію виробництва, такі зміни не накладають зобов'язань щодо заміни або поліпшення раніше випущених продуктів.

Гарантійний талон дійсний лише за умови правильного зазначення моделі, дати продажу та чітких печаток продавця.

Претензії споживача, відповідно до чинного законодавства, можуть бути пред'явлені протягом гарантійного терміну експлуатації, за умови, що дефекти системи водоочищення виникли не в результаті:

- недотримання умов експлуатації та зберігання систем, зазначених в інструкції з підключення та експлуатації системи;
- внаслідок пошкодження під час транспортування, неправильного встановлення, недбалого або неправильного використання, підключення до мережі живлення, напруга якої не відповідає зазначеній в інструкції з експлуатації, недотримання інструкцій з підключення та експлуатації, що додаються до приладу;
- експлуатація з неусунутими дефектами, або з дефектами, що виникли в результаті обслуговування або ремонту особами або організаціями, які не є представниками авторизованого сервісного центру;
- незалежні від виробника причини, такі як: перепади напруги в електромережі, природні явища та стихійні лиха, пожежа, потрапляння всередину виробу сторонніх предметів (рідин) або інших речовин;
- зовнішні та внутрішні забруднення, подряпини, тріщини, синці, потертості та інші механічні пошкодження, що виникли під час експлуатації;
- зміна конструкції або несанкціоноване розкриття вузлів системи, при зміні серійного номера виробу або дати виготовлення;
- несвоєчасної заміни елементів, терміни якої вказані в інструкції з підключення та експлуатації, а також при використанні змінних елементів інших виробників.

10. ГАРАНТІЯ

ГАРАНТІЙНІ ЗОБОВ'ЯЗАННЯ

Гарантійні зобов'язання не поширюються на:

- змінні елементи (картриджі, мембрана зворотного осмосу, вугільний постфільтр, мінералізований та інші змінні елементи, якими може бути укомплектована система) та ущільнювальні кільця;
- компоненти, які потребують заміни в результаті їх зносу;
- види робіт, такі як налагодження, чистка, заміна витратних матеріалів та інший догляд за системами очищення води, передбачені інструкцією з підключення та експлуатації виробу..

Виробник не несе відповідальності за будь-які пошкодження або будь-яку іншу шкоду, включаючи упущену вигоду, що виникла випадково або в результаті використання або неможливості використання цього виробу. Матеріальна відповідальність Виробника за цією Гарантією не може перевищувати вартості системи водопідготовки.

У разі самостійного підключення системи виробник не несе відповідальності і не приймає претензії, які можуть бути викликані неправильним підключенням і некоректною роботою системи в цілому. Перелік авторизованих сервісних центрів вказано на сайті <https://ecosoft.ua/contacts/>

Всі претензії щодо якості води, смаку, запаху та інших властивостей води, очищеної за допомогою систем водопідготовки, приймаються тільки при наявності підтверджуючого протоколу аналізу, виконаного дослідницькою акредитованою лабораторією відповідно до стандарту ISO 17025.

Випадки, на які не поширюється дія цієї Гарантії, регулюються законодавством.

11. СЕРІЙНА ІНФОРМАЦІЯ

ВСТАНОВЛЕННЯ

дата встановлення

адреса та телефон

прийнято (ім'я та підпис замовника)

ІНСТАЛЯТОР

адреса та телефон

дата продажу

організація

дилерська компанія

виконані роботи (ім'я та підпис)

продавець

