

## BI BLOCK COMMERCIAL SOFTENERS ASSY 21x62, 1.25 CE WITHOUT MEDIA

Pre-configured and assembled systems with properly selected components. All you need to do is to add ECOMIX® or ion-exchange resin.

### KEY FEATURES:

- The basic set ready for ECOMIX® and softening resin\*
- Overflow protection of the brine tank
- The set is designed for convenient and quick installation

### COMPONENTS:

#### Clack® control valve assembly:

- Clack® CE control valve
- Meter assembly
- Top stack distributor
- Drain fitting
- Power supply
- Injector, DLFC – for ECOMIX® and ion-exchange resin
- Funnel
- Valve instruction manual, instruction manual

#### FRP tank assembly:

- FRP tank
- Riser
- Bottom stack distributor

#### Brine tank assembly:

- Brine tank
- Brine well assembly (brine valve, overflow set)
- Brine grid

\* For operation with another filter media just need to change the DLFC and injector



### PHYSICAL PARAMETERS

Inlet, outlet	G 1,25"
Drine	G 1"
Brine line	G 3/8"
Operating pressure	2 - 6 bar
Operating temperature	+4...+30 °C
Electrical requirements	230 V, 50 Hz
Electrical power	30 W
Volume of pressure tank	311 L
The volume of the rounded side	25 L
Volume of brine tank	378 L
Dry system weight	45 kg

### Water flow rate\*\*

Code	Product	Service, m <sup>3</sup> /h (pressure drop 1 bar)	Backwash, m <sup>3</sup> /h (pressure drop 1,7 bar)
RF2162CE125	Softener assy w/o media 21x62, 1.25" CE valve	7,7	7,3

\*For operation with another filter media just need to change the DLFC and injector

\*\*Only for Clack WS1.25 CE control valves includes meter, bypass, and 1.25" fitting kit

### ACCESSORIES\*\*

Code	Description
V3006	WS1 Bypass Assembly
V3009	WS1 Auxiliary Microswitch Assembly
V3070FM	Bypass shut-off valve during regeneration (no-Bypass valve) for 1" and 1.25" systems
V3069MM-01	Water Specialist 1" & 1.25" Motorized Alternating Valve
V3191-01	WS1 Bypass Vertical Adapter Assy

\*\* Not included in the basic set.  
Can installed as additional equipment

### RECOMMENDED MEDIA VOLUME

Code	Description	Volume
ECOMIXA25	Ecomix Type A filter media, 25 L bag	150 L***
ECOMIXC25	Ecomix Type C filter media, 25 L bag	150 L***
ECOMIXP25	Ecomix Type P filter media, 25 L bag	150 L***
HCRSS	Strong acid cation exchange resin HCRS-S	200...225 L
PC002	Strong acid cation exchange resin PC002	200...225 L

The volume of filter material depends on the its characteristics.  
TDS on filter materials can be found on the official website [www.ecosoft.com](http://www.ecosoft.com).  
\*\*\* The amount of Ecomix can be increased by no more than 25 liters

### CONFIGURATIONS



#### TWIN ASSEMBLY PARTS

1. RF2162CE125 - 2 pcs.
2. V3069MM-01 - 1 pcs.
3. V3191-01 - 4 pcs.
4. Filter media<sup>1</sup>

#### TWIN



#### DUPLEX ASSEMBLY PARTS

1. RF2162CE125 - 2 pcs.
2. DUPLECO1 - 1 pcs.
3. Filter media<sup>1</sup>

#### DUPLEX

Twin set may operate 2 units with alternative mode (the first unit in operation, the second - in regeneration or stand by) and can produce water during the day at constant flow rate.

#### KEY FEATURES

- Ensures stable water quality with constant flow
- User friendly installation
- Doesn't create hydraulic shocks

Duplex set may operate 2 units parallel and can provide double flow rate during peak consumption.

#### KEY FEATURES

- Double flow rate for peak consumption
- User friendly installation
- Doesn't create hydraulic shocks



#### 2 - 6 SYSTEMS

### SET FOR 2...6 UNITS WITH CLACK SYSTEM CONTROLLER

1. RF2162CE125 - 2...6 pcs.
2. Filter media<sup>1</sup>
3. WSSYSTCON2\* - 1 pcs.

The Clack system controller may operate 2 - 6 units and has 4 operating modes that ensure efficient operation of the set for various needs.

#### KEY FEATURES

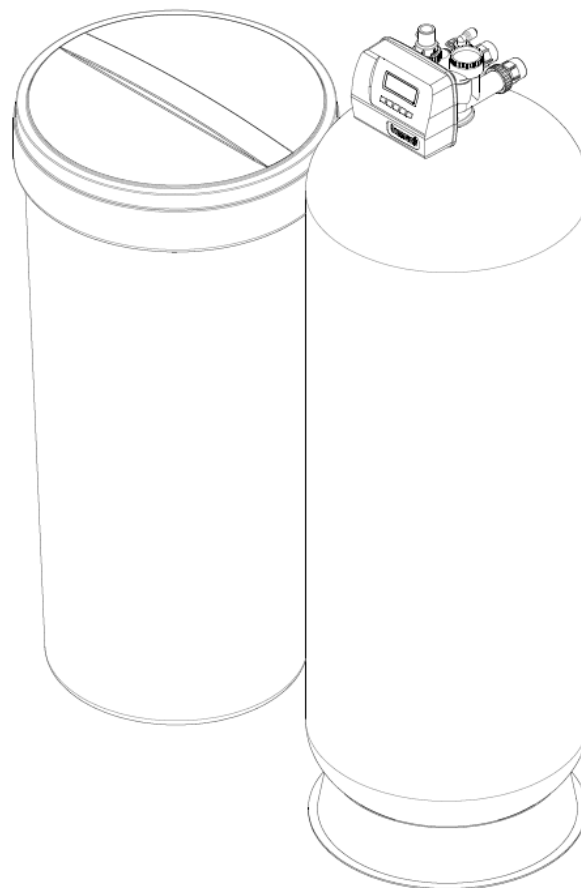
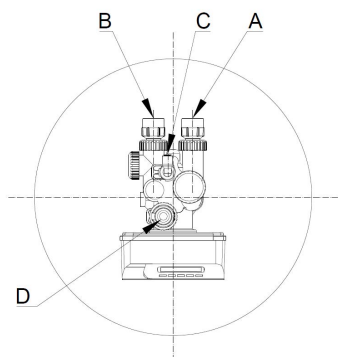
- System Controller may operate 2 - 6 units or be used as a water monitor only
- Clack 1.0", 1.25", 1.5" or 2" control valves may be used
- 4 available operating modes: Progressive flow, Alternator, Series, Random

WSSYSTCON2\* - includes a kit for connecting 2 systems. The last number indicates the number of possible connected systems

<sup>1</sup> See "Recommended media volume"

BWT WATER PROFESSIONALS

CONNECTIONS



Marking	Nomenclature	Connection	Height
A	Inlet	PH G 1,25"	1675±30
B	Outlet	PH G 1,25"	1675±30
C	Brine line	PH G 3/8"	1770±30
D	Drain	PH G 1"	1830±30

DIMENSIONS OF SYSTEM

