

# BACKWACH FILTER W/O MEDIA 42x72, 2" CE valve

## SET OF EQUIPMENT

- WS2CE control valve<sup>1</sup>
- Pressure tank 42x72, 6"<sup>2</sup>

### <sup>1</sup>WS2CE valve assembly (V2CEDTE):

- WS2CE control valve
- Top stack distributor, insert 50 mm
- Power supply
- Valve instruction manual, Instruction manual

### <sup>2</sup>Pressure tank assembly:

- Pressure tank 42x72, 6"
- Flange 6" - 4"
- Adaptor 4" - 2"
- Riser DN 50 mm
- Connection kit
- Bottom stack distributor TMHL 42, 50 mm solvent

## KEY FEATURES

- Ready sets for different filtration medias
- Basic set ready to work with carbon medias\*
- The set is designed for convenient and quick installation

## CE CONTROL VALVE KEY FEATURES

- Possibility to change the cycle of regeneration stages and their range of time
- Multilanguage menu: English, German, French, Ukrainian
- Different setting modes are available:
  - twin or duplex configurations
  - up to 6 systems to the system controller
  - 2 external devices simultaneously can be connected

## PHYSICAL PARAMETERS

Inlet, outlet	G 2"
Drine	G 1,5"
Operating pressure	2 - 6 bar
Operating temperature	+4...+30 °C
Electrical requirements	230 V, 50 Hz
Electrical power	30 W
Volume of pressure tank	1494 L
The volume of the rounded side	170 L
Dry system weight	220 kg



## Softener assy w/o media, 2" CE valve

Code	Product	Water flow rate**	
		Service, m <sup>3</sup> /h (pressure drop 1 bar)	Backwash, m <sup>3</sup> /h (pressure drop 1,7 bar)
BF4272CE2	Backwash filter assy 42x72, 2" CE valve	26,1	18,2

\*For operation with another filter media just need to change the DLFC and injector

\*\*Only for Clack WS2.0 CE control valves includes meter

## ACCESSORIES\*\*

Code	Description
V3017	WS2 Service or Fill Switch Assembly
V3076BSPT	Motor Alternating Valve 2 BSPT Revision 2
V3094BSPT	WS2 Meter Assembly Male x Female BSPT

\*\* Not included in the basic set.  
Can installed as additional equipment

## RECOMMENDED MEDIA VOLUME

Code	Description	Volume
A8014	Filter-AG filter media, 28.3 L bag	707,5 L***
A8023	Filter-AG PLUS Filter media, 28.3 L bag	707,5 L***
A8006	Birm filter media , 28.3 L bag	707,5 L***
CENT1240	Granular activated carbon Centaur 12x40	375 KG***
FILTR300	Activated Carbon Filtrasorb 300	375 KG***

The volume of filter material depends on the its characteristics.  
TDS on filter materials can be found on the official website [www.ecosoft.com](http://www.ecosoft.com).  
\*\*\* Recommended to use support layer, 250 Kg

## CONFIGURATIONS

### TWIN



### TWIN ASSEMBLY PARTS

1. RF4272CE2 - 2 pcs.
2. VLV2BSPT - 1 pcs.
3. Filter media<sup>1</sup>

Twin set may operate 2 units with alternative mode (the first unit in operation, the second - in regeneration or stand by) and can produce water during the day at constant flow rate.

### KEY FEATURES

- Ensures stable water quality with constant flow
- User friendly installation
- Doesn't create hydraulic shocks

### DUPLEX



### DUPLEX ASSEMBLY PARTS

1. RF4272CE2 - 2 pcs.
2. DUPLECO2 - 1 pcs.
3. Filter media<sup>1</sup>

Duplex set may operate 2 units parallel and can provide double flow rate during peak consumption.

### KEY FEATURES

- Double flow rate for peak consumption
- User friendly installation
- Doesn't create hydraulic shocks

### 2 - 6 SYSTEMS



### SET FOR 2...6 UNITS WITH CLACK SYSTEM CONTROLLER

1. RF4272CE2 - 2...6 pcs.
2. Filter media<sup>1</sup>
3. WSSYSTCON2\* - 1 pcs.

The Clack system controller may operate 2 - 6 units and has 4 operating modes that ensure efficient operation of the set for various needs.

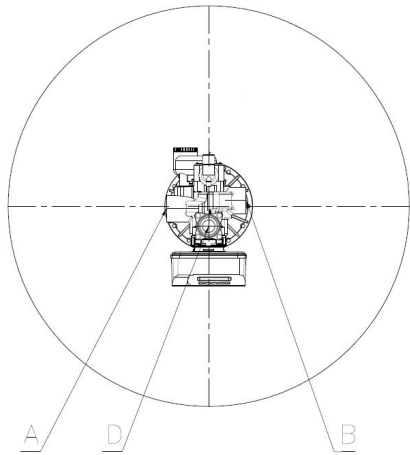
### KEY FEATURES

- System Controller may operate 2 - 6 units or be used as a water monitor only
- Clack 1.0", 1.25", 1.5" or 2" control valves may be used
- 4 available operating modes: Progressive flow, Alternator, Series, Random

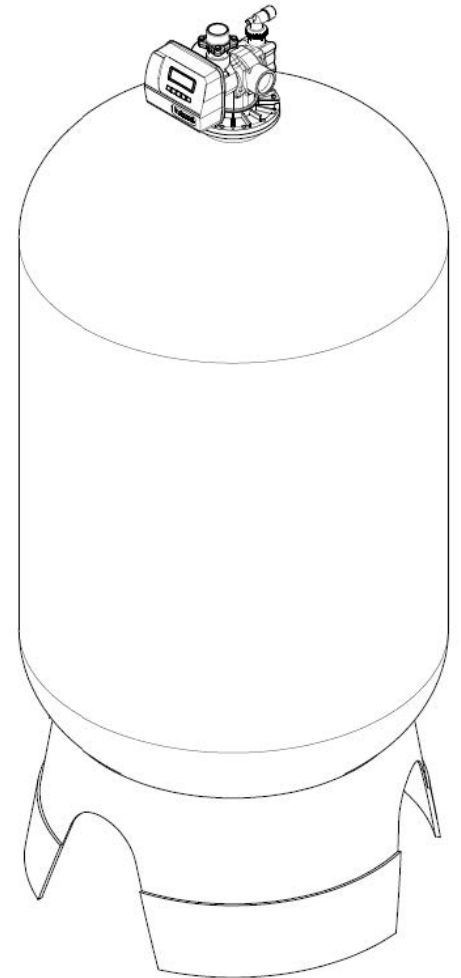
WSSYSTCON2\* - includes a kit for connecting 2 systems. The last number indicates the number of possible connected systems

<sup>1</sup> See "Recommended media volume"

**CONNECTIONS**



Marking	Nomenclature	Connection	Height
A	Inlet	PH G 2"	2435±30
B	Outlet	PH G 2"	2435±30
D	Drain	PH G 1,5"	2590±30



**DIMENSIONS OF SYSTEM**

