

SOFTENER ASSY W/O MEDIA 14x65, 1" CE valve

SET OF EQUIPMENT

- CE 1" control valve¹
- Pressure tank 14x65, 2,5"²
- Brine tank³

¹CE 1" valve assembly (V1CEDME):

- CE 1" control valve
- Top stack distributor, 11 segments
- Connection kit 1"
- Power supply
- Injector, DLFC - for Ecomix and cation exchange resin
- Funnel
- Valve instruction manual, Instruction manual

²Pressure tank assembly:

- Pressure tank 14x65, 2,5"
- Riser
- Bottom stack distributor

³Brine tank assembly

- Brine tank 18x36, 146 L
- Brine well assembly (brine valve, overflow set)

KEY FEATURES

- Ready sets for different filtration medias
- Basic set ready to work with Ecomix and cation exchange resin*
- Overflow protection of the brine tank
- The set is designed for convenient and quick installation

CE CONTROL VALVE KEY FEATURES

- Regeneration control by water volume: delayed regen, immediate, both
- Possibility to change the cycle of regeneration stages and their range of time
- Multilanguage menu: English, German, French, Ukrainian
- Different setting modes are available:
 - Twin or duplex configurations
 - Up to 6 systems to the system controller
 - 2 external devices simultaneously can be connected

PHYSICAL PARAMETERS

| | |
|--------------------------------|--------------|
| Inlet, outlet | G 1" |
| Drine | G 1" |
| Brine line | G 3/8" |
| Operating pressure | 2 - 6 bar |
| Operating temperature | +4...+30 °C |
| Electrical requirements | 230 V, 50 Hz |
| Electrical power | 30 W |
| Volume of pressure tank | 150 L |
| The volume of the rounded side | 7,0 L |
| Volume of brine tank | 146 L |
| Dry system weight | 24 kg |

Softener assy w/o media, 1" CE valve



| Code | Product | Water flow rate** | |
|----------|---|---|--|
| | | Service, m ³ /h (pressure drop 1 bar) | Backwash, m ³ /h (pressure drop 1,7 bar) |
| RF1465CE | Softener assy w/o media 14x65, 1" CE valve | 6,12 | 6,12 |

*For operation with another filter media just need to change the DLFC and injector

**Only for Clack WS1 CE control valves includes meter, bypass, and 1" fitting kit

ACCESSORIES**

| Code | Description |
|------------|--|
| V3006 | WS1 Bypass Assembly |
| V3009 | WS1 Auxiliary Microswitch Assembly |
| V3070FM | Bypass shut-off valve during regeneration (no-Bypass valve) for 1" and 1.25" systems |
| V3069MM-01 | Water Specialist 1" & 1.25" Motorized Alternating Valve |
| V3191-01 | WS1 Bypass Vertical Adapter Assy |

** Not included in the basic set.
Can installed as additional equipment

RECOMMENDED MEDIA VOLUME

| Code | Description | Volume |
|-----------|--|--------|
| ECOMIXA25 | Ecomix Type A filter media, 25 L bag | 75 L |
| ECOMIXC25 | Ecomix Type C filter media, 25 L bag | 75 L |
| ECOMIXP25 | Ecomix Type P filter media, 25 L bag | 75 L |
| HCRSS | Strong acid cation exchange resin HCRS-S | 100 L |
| PC002 | Strong acid cation exchange resin PC002 | 100 L |

The volume of filter material depends on the its characteristics.
TDS on filter materials can be found on the official website www.ecosoft.com.

CONFIGURATIONS

TWIN



TWIN ASSEMBLY PARTS

1. RF1465CE - 2 pcs.
2. TWIN1 - 1 pcs.
3. Filter media¹

Twin set may operate 2 units with alternative mode (the first unit in operation, the second - in regeneration or stand by) and can produce water during the day at constant flow rate.

KEY FEATURES

- Ensures stable water quality with constant flow
- User friendly installation
- Doesn't create hydraulic shocks

DUPLEX



DUPLEX ASSEMBLY PARTS

1. RF1465CE - 2 pcs.
2. DUPLECO1 - 1 pcs.
3. Filter media¹

Duplex set may operate 2 units parallel and can provide double flow rate during peak consumption.

KEY FEATURES

- Double flow rate for peak consumption
- User friendly installation
- Doesn't create hydraulic shocks

2 - 6 SYSTEMS



SET FOR 2...6 UNITS WITH CLACK SYSTEM CONTROLLER

1. RF1465CE - 2...6 pcs.
2. Filter media¹
3. WSSYSTCON2* - 1 pcs.

The Clack system controller may operate 2 - 6 units and has 4 operating modes that ensure efficient operation of the set for various needs.

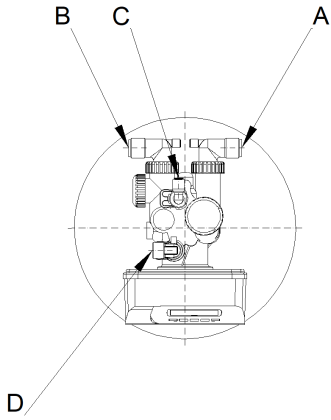
KEY FEATURES

- System Controller may operate 2 - 6 units or be used as a water monitor only
- Clack 1.0", 1.25", 1.5" or 2" control valves may be used
- 4 available operating modes: Progressive flow, Alternator, Series, Random

WSSYSTCON2* - includes a kit for connecting 2 systems. The last number indicates the number of possible connected systems

¹ See "Recommended media volume"

CONNECTIONS



| Marking | Nomenclature | Connection | Height |
|---------|--------------|------------|---------|
| A | Inlet | PH G 1" | 1760±30 |
| B | Outlet | PH G 1" | 1760±30 |
| C | Brine line | PH G 3/8" | 1855±30 |
| D | Drain | PH G 3/4" | 1865±30 |

DIMENSIONS OF SYSTEM

