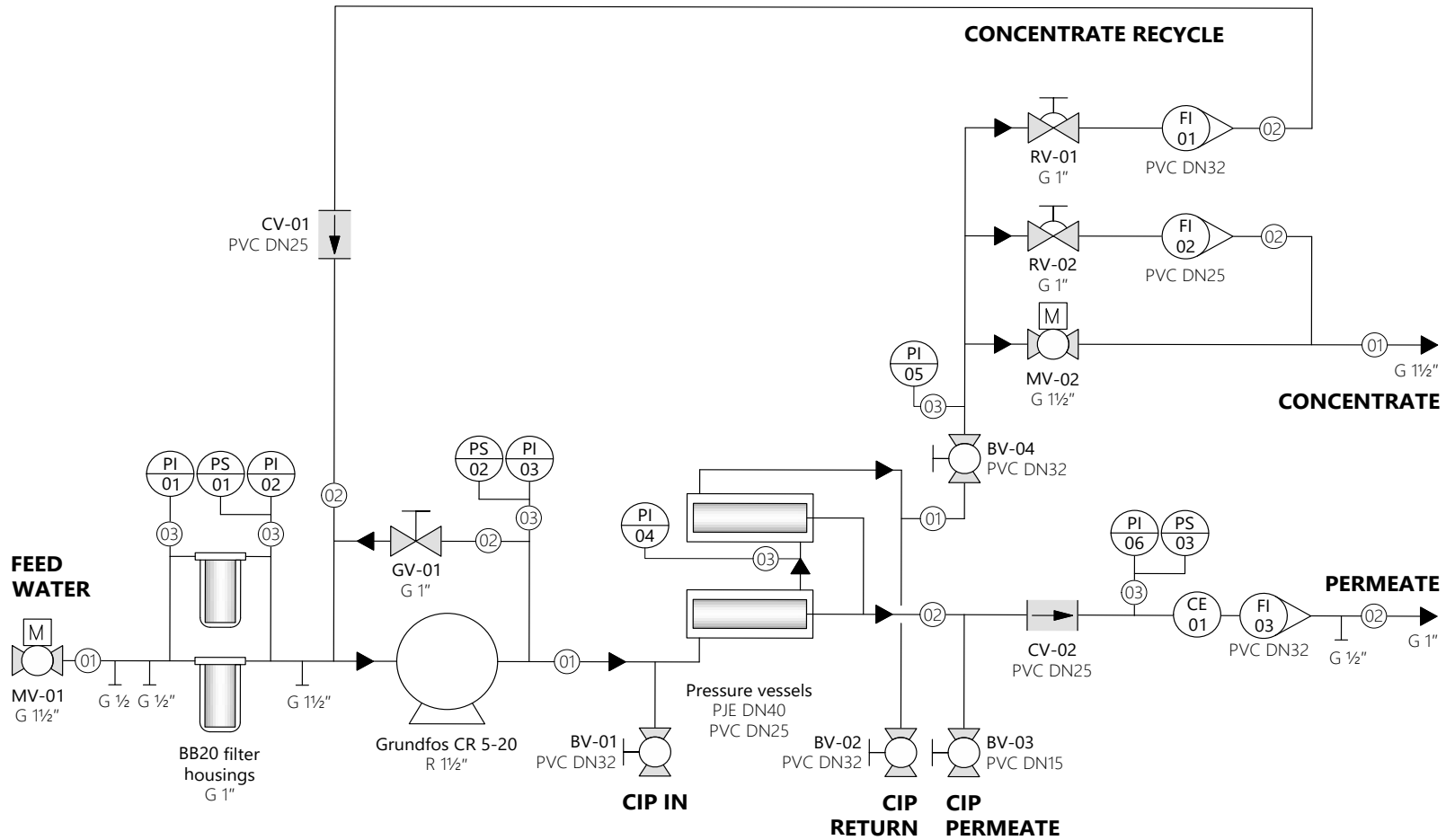


Ecosoft MO2TP5

Reverse Osmosis System

Piping and Instrumentation Diagram



PIPE SPECIFICATIONS

- ① PVC pipe 50 mm O.D.
- ② PVC pipe 32 mm O.D.
- ③ PE hose 1/4" O.D.

VALVE AND INSTRUMENT SPECIFICATIONS

- | | | | | |
|---|--|---|---|--|
|  Ball Valve |  Regulating Valve |  Motorized Valve |  Pressure gauge (panel mount) |  Rotameter |
|  Globe Valve |  Check Valve | |  Pressure switch (panel mount) |  Conductivity probe (process mount) |