

ARCTIC BLUE SOFTENERS

These softeners provide capacity up to 3 m³ of water per hour. The highest flow rate on the market in a compact design cabinet.

Clack® CE valve inside enables both friendly programming and advanced adjustment to fit domestic or commercial applications.

KEY FEATURES

- Made in Belgium with 100% US-made equipment
- Versatile modern Clack® CE control valve multilingual menu (EN, DE, FR, UA)
- Fits up to 117 kgs of salt – 9 months till next salt refill
- Smart overflow location saves installation space and protects against mechanical damage

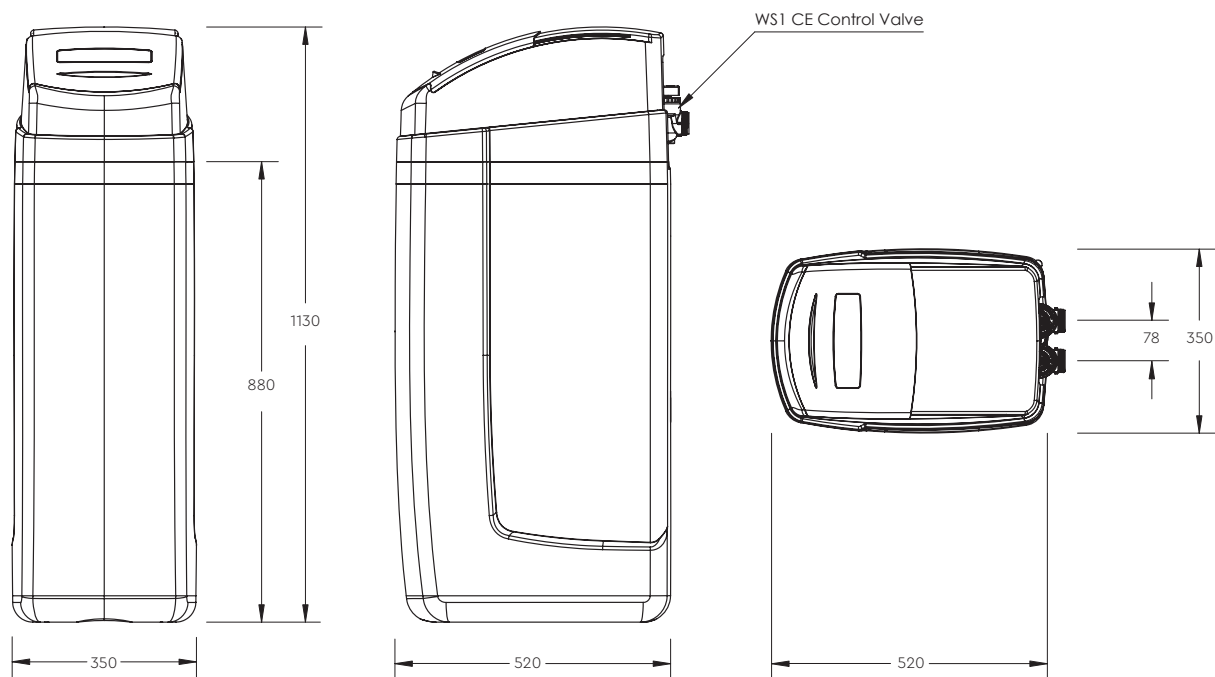
COMPONENTS

- Pre-adjusted Ecosoft-Clack CE
- Cabinet enclosure
- Pressure tank
- Brine well with safety float valve



ECOSOFT ARCTIC BLUE SOFTENERS

Code	Description	Ecomix® C, L
FU1035CABCEMV	Arctic Blue softener 250	25
FU1235CABCEMV	Arctic Blue softener 370	37



TECHNICAL SPECIFICATION

Parameter	FU1035CABCEMV	FK1235CABCEMIXCOR
Operating flow rate, m ³ /h	1.5 / 2.0	2.2 / 2.8
Quantity of ECOMIX®, L	25	37
Volume capacity, m ³ 250 mg/L CaCO ₃ influent harness	5	7.5
Usage of salt per regeneration, kg	2.5-4.0	3.7-6.0
Usage of water per regeneration (discharge per regeneration), m ³	0.25	0.37
Duration of regeneration, minutes	80-110	
Pressure drop in service mode, bar	0.5	
Inlet pressure, bar	2-6	
Electrical requirements	230 V, 50 Hz	
Power consumption, W	30	
Inlet/outlet pipe connections	1"	
Dry weight, kg	30	42
Overall dimensions, (Width × Depth × Height), mm	350 × 520 × 1130	

INFLUENT WATER LIMITATIONS

Parameter	
Hardness	750 mg/L CaCO ₃
Iron	0.2 mg/L
Manganese	0.05 mg/L
Chemical Oxygen Demand	5 mg/L O ₂
Sediment prefilter rating	100 μm
Temperature of water	+4...+30 °C