

# TITANIUM GOLD ECOMIX® SOFTENERS

A high-flow capacity filter for treatment of challenging water at home. ECOMIX® C reduces hardness, iron, manganese, organic and ammonium even with strong seasonal changes in water.

## KEY FEATURES

- Made in Belgium with 100% US-made components
- Versatile modern Clack® CE control with multilingual menu (EN, DE, FR, UA)
- Increased salt capacity: up to 117 kg
- Smart overflow location saves installation space and protects against mechanical damage
- Resistant to seasonal changes in water

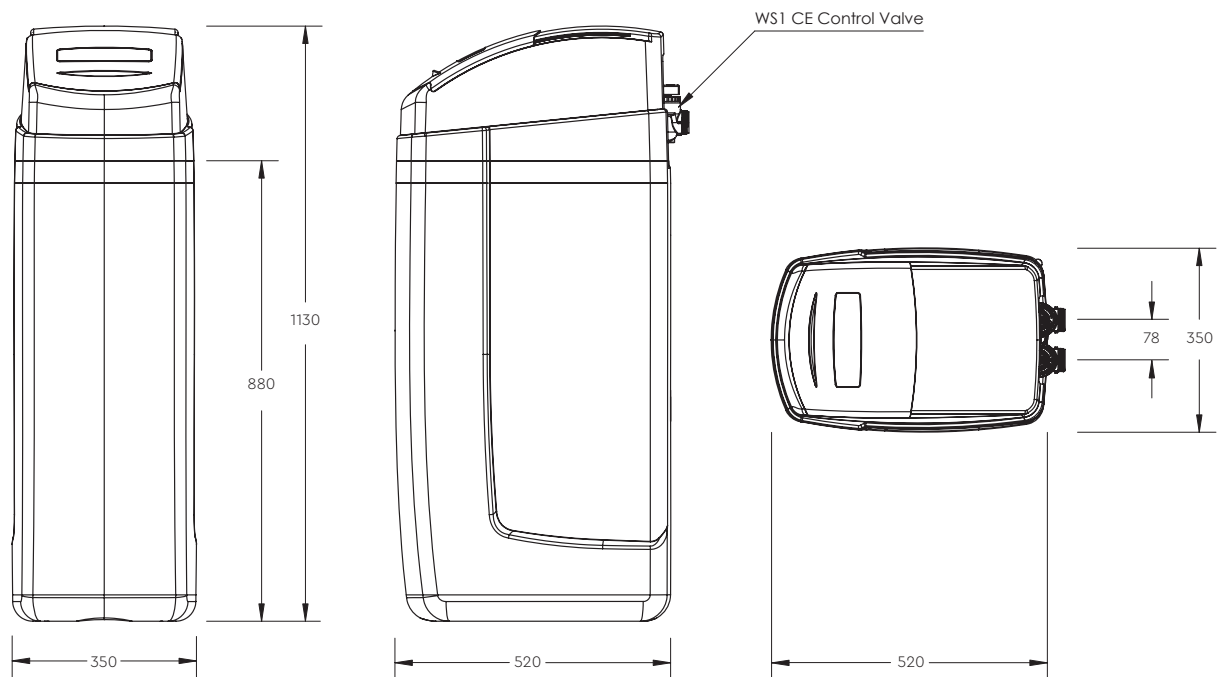
## COMPONENTS

- Pre-adjusted Ecosoft-Clack CE
- Cabinet enclosure
- Pressure tank
- Brine well with safety float valve
- Ecomix® C



### ECOSOFT TITANIUM GOLD ECOMIX SOFTENERS (ECOMIX®)

Code	Description	Ecomix® C, L
<b>FK1035CABCEMIXCOR</b>	Titanium Gold Ecomix softener 250	25
<b>FK1235CABCEMIXCOR</b>	Titanium Gold Ecomix softener 370	37



## TECHNICAL SPECIFICATION

Parameter	FK1035CABCCEMIXCOR	FK1235CABCCEMIXCOR
Operating flow rate, m <sup>3</sup> /h	1.0 / 1.2	1.4 / 1.8
Quantity of ECOMIX®, L	25	37
Volume capacity, m <sup>3</sup> 250 mg/L CaCO <sub>3</sub> influent harness	3	4.5
Usage of salt per regeneration, kg	2.5-4.0	3.7-6.0
Usage of water per regeneration (discharge per regeneration), m <sup>3</sup>	0.25	0.37
Duration of regeneration, minutes	80-110	
Pressure drop in service mode, bar	0.5	
Inlet pressure, bar	2-6	
Electrical requirements	230 V, 50 Hz	
Power consumption, W	30	
Inlet/outlet pipe connections	1"	
Dry weight, kg	30	42
Overall dimensions, (Width × Depth × Height), mm	350 × 520 × 1130	

## INFLUENT WATER LIMITATIONS

Parameter	
Hardness	750 mg/L CaCO <sub>3</sub>
Iron	15 mg/L
Manganese	3 mg/L
Chemical Oxygen Demand	20 mg/L O <sub>2</sub>
Ammonium	4 mg/L
Sediment prefilter rating	100 μm
Temperature of water	+4...+30 °C