

ECOSOFT INOX IoT MO12000 4" REVERSE OSMOSIS SYSTEM



APPLICATIONS

Steam boilers, heating and cooling circuits, breweries and beverage production, livestock and poultry farms, glazing factories, laundry and car wash etc.

EQUIPMENT

- Grundfos® CM 1-10 pump
- 300 psi membrane housings
- BB20 sediment prefilter
- Electrical panel with Ecosoft controller
- Danfoss solenoid valves
- Permeate flow meter
- Inlet, permeate conductivity probes
- Piping, instrumentation
- AISI304 stainless steel frame
- Carton crate

KEY FEATURES

- Ecosoft controller OC6000 with Econnect functionality providing online access to the RO machine
- Easy to use thanks to smart architecture
- Modularized architecture for adding permeate flushing or raw water blending assembly to the system
- Grundfos worldwide guaranty
- CE marked and confirmed to be safe in accordance with EC New Approach Directives

OPTIONS

- Filmtec™ XLE-4040 / LCLE-4040 or Ecosoft ELP-4040 membrane
- Dosing pump for antiscalant
- Versatile set for raw water blending (30...240 L/h) or permeate flushing

PHYSICAL PARAMETERS

Influent water, concentrate, permeate	G ½"
Antiscalant dosing port	G ½"
Permeate flushing input port	G ½"
Approx. weight (bare system / crate)	60 kg 85 kg
Dimensions (bare system, W × D × H)	0.55 × 0.42 × 1.50 m
Dimensions (crate, W × D × H)	0.60 × 0.50 × 1.65 m



Ecosoft reserves the right to amend the product's system architecture provided that its functionality and usability will not deteriorate

ADVANCED ECOSOFT MO12000 4" REVERSE OSMOSIS SYSTEM

Code	Product	Flow rate, L/h (GPH)	Membranes**	Pieces on pallet
MO12000TI6	MO12000 INOX IoT advanced 4" RO system with Econnect	400–550 (100–150)	2/40 x 40	4

** Membranes are not included in the package

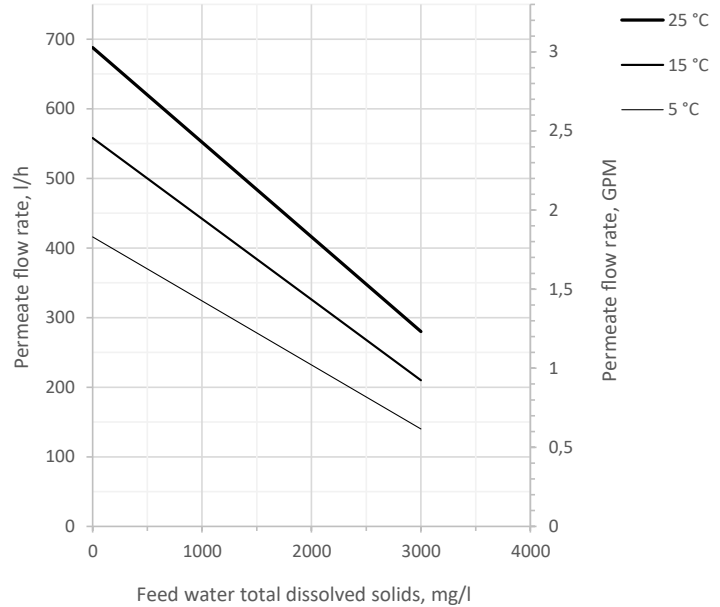
TECHNICAL SPECIFICATION

Permeate capacity ¹	500 L/h
Permeate recovery ²	75%
Maximum TDS	3000 mg/L
Influent flow demand	650...800 L/h (service) 1500...2000 L/h (rinse)
Operating pressure	8...12 bar
Maximum pressure	14 bar
Electrical requirements	230 V, 50 Hz (1 ph)
Electrical power	1 kW
Prefilter rating	5 µm

¹ depends on feed water TDS, temperature, and permeate recovery — see graph on the right

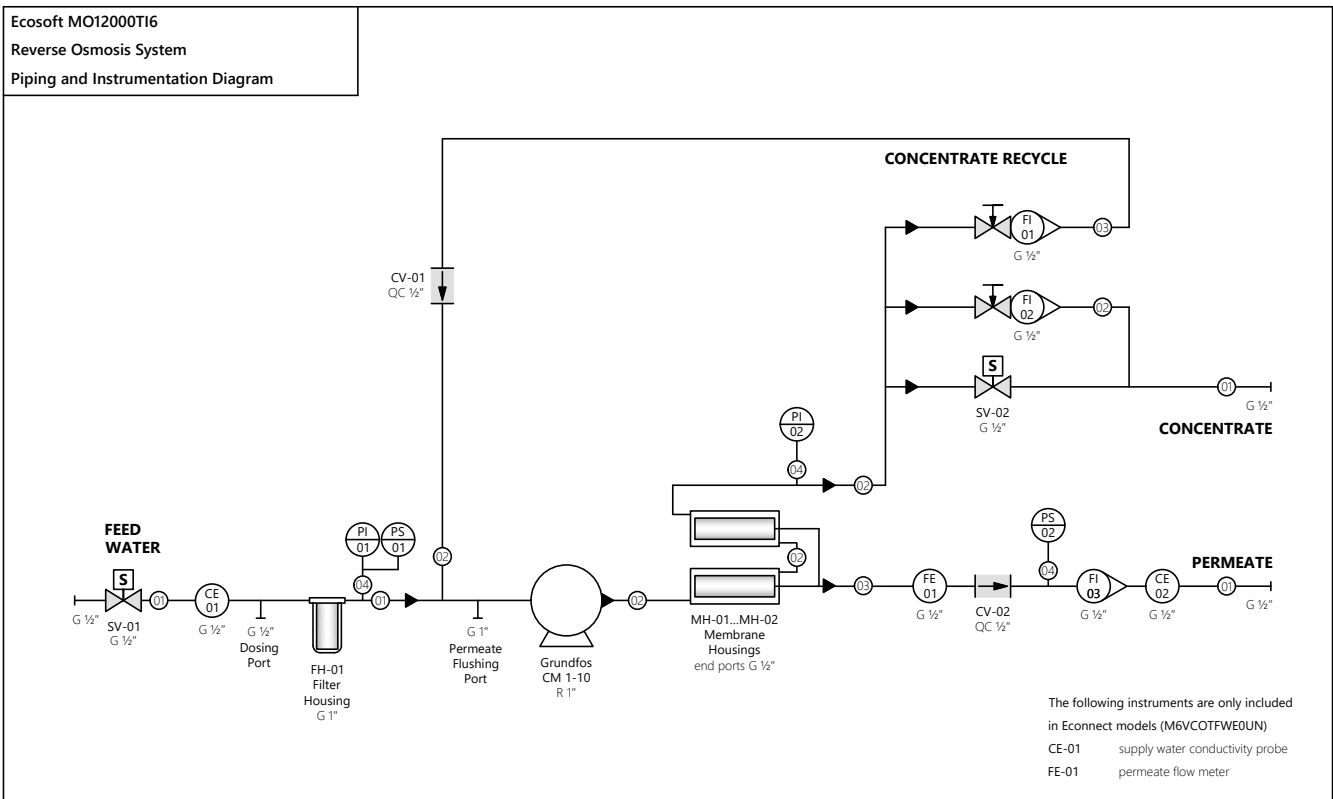
² for low scaling/fouling water

ECOSOFT MO12000 FLOW CAPACITY (WITH XLE-4040 MEMBRANES)



Permeate flow rates are calculated under the following conditions:
 • 2 bar influent water pressure
 • 0 bar backpressure in the permeate line
 • fresh membranes
 • XLE-4040 membranes

PIPES AND INSTRUMENTS DIAGRAM



PIPES AND CONNECTIONS	VALVES	INSTRUMENTS
<ul style="list-style-type: none"> ① PVC pipe 20 mm O.D. G parallel BSPT thread ② PE hose ½" O.D. R tapered BSPT thread ③ PE hose ¾" O.D. PVC polyvinylchloride (solvent weld) ④ PE hose ¼" O.D. PE polyethylene QC quick connect collet fitting 	<ul style="list-style-type: none"> Ⓢ Solenoid Valve Ⓝ Needle Valve Ⓜ Check Valve 	<ul style="list-style-type: none"> Ⓟ Pressure gauge (panel mount) Ⓠ Pressure switch (panel mount) Ⓡ Rotameter Ⓢ Conductivity probe (process mount) Ⓣ Flow meter (process mount)