

SOFTENER ASSY W/O MEDIA 13x54, 1" CE valve

SET OF EQUIPMENT

- CE 1" control valve¹
- Pressure tank 13x54, 2,5"²
- Brine tank³

¹CE 1" valve assembly (V1CEDME):

- CE 1" control valve
- Top stack distributor, 11 segments
- Connection kit 1"
- Power supply
- Injector, DLFC - for Ecomix and cation exchange resin
- Funnel
- Valve instruction manual, Instruction manual

²Pressure tank assembly:

- Pressure tank 13x54, 2,5"
- Riser
- Bottom stack distributor

³Brine tank assembly

- Brine tank 15x17x36, 125 L
- Brine well assembly (brine valve, overflow set)

KEY FEATURES

- Ready sets for different filtration medias
- Basic set ready to work with Ecomix and cation exchange resin*
- Overflow protection of the brine tank
- The set is designed for convenient and quick installation

CE CONTROL VALVE KEY FEATURES

- Regeneration control by water volume: delayed regen, immediate, both
- Possibility to change the cycle of regeneration stages and their range of time
- Multilanguage menu: English, German, French, Ukrainian
- Different setting modes are available:
 - Twin or duplex configurations
 - Up to 6 systems to the system controller
 - 2 external devices simultaneously can be connected

PHYSICAL PARAMETERS

Inlet, outlet	G 1"
Drine	G 1"
Brine line	G 3/8"
Operating pressure	2 - 6 bar
Operating temperature	+4...+30 °C
Electrical requirements	230 V, 50 Hz
Electrical power	30 W
Volume of pressure tank	105 L
The volume of the rounded side	6,0 L
Volume of brine tank	125 L
Dry system weight	21kg

Softener assy w/o media, 1" CE valve

Code	Product	Water flow rate**	
		Service, m ³ /h (pressure drop 1 bar)	Backwash, m ³ /h (pressure drop 1,7 bar)
RF1354CE	Softener assy w/o media 13x54, 1" CE valve	6,12	6,12

*For operation with another filter media just need to change the DLFC and injector

**Only for Clack WS1 CE control valves includes meter, bypass, and 1" fitting kit



ACCESSORIES**

Code	Description
V3006	WS1 Bypass Assembly
V3009	WS1 Auxiliary Microswitch Assembly
V3070FM	Bypass shut-off valve during regeneration (no-Bypass valve) for 1" and 1.25" systems
V3069MM-01	Water Specialist 1" & 1.25" Motorized Alternating Valve
V3191-01	WS1 Bypass Vertical Adapter Assy

** Not included in the basic set.
Can installed as additional equipment

RECOMMENDED MEDIA VOLUME

Code	Description	Volume
ECOMIXA25	Ecomix Type A filter media, 25 L bag	62..74 L
ECOMIXC25	Ecomix Type C filter media, 25 L bag	62..74 L
ECOMIXP25	Ecomix Type P filter media, 25 L bag	62..74 L
HCRSS	Strong acid cation exchange resin HCRS-S	62..74 L
PC002	Strong acid cation exchange resin PC002	62..74 L

The volume of filter material depends on the its characteristics.
TDS on filter materials can be found on the official website www.ecosoft.com.

CONFIGURATIONS

TWIN



TWIN ASSEMBLY PARTS

1. RF1354CE - 2 pcs.
2. TWIN1 - 1 pcs.
3. Filter media¹

Twin set may operate 2 units with alternative mode (the first unit in operation, the second - in regeneration or stand by) and can produce water during the day at constant flow rate.

KEY FEATURES

- Ensures stable water quality with constant flow
- User friendly installation
- Doesn't create hydraulic shocks

DUPLEX



DUPLEX ASSEMBLY PARTS

1. RF1354CE - 2 pcs.
2. DUPLECO1 - 1 pcs.
3. Filter media¹

Duplex set may operate 2 units parallel and can provide double flow rate during peak consumption.

KEY FEATURES

- Double flow rate for peak consumption
- User friendly installation
- Doesn't create hydraulic shocks

2 - 6 SYSTEMS



SET FOR 2...6 UNITS WITH CLACK SYSTEM CONTROLLER

1. RF1252CE - 2...6 pcs.
2. Filter media¹
3. WSSYSTCON2* - 1 pcs.

The Clack system controller may operate 2 - 6 units and has 4 operating modes that ensure efficient operation of the set for various needs.

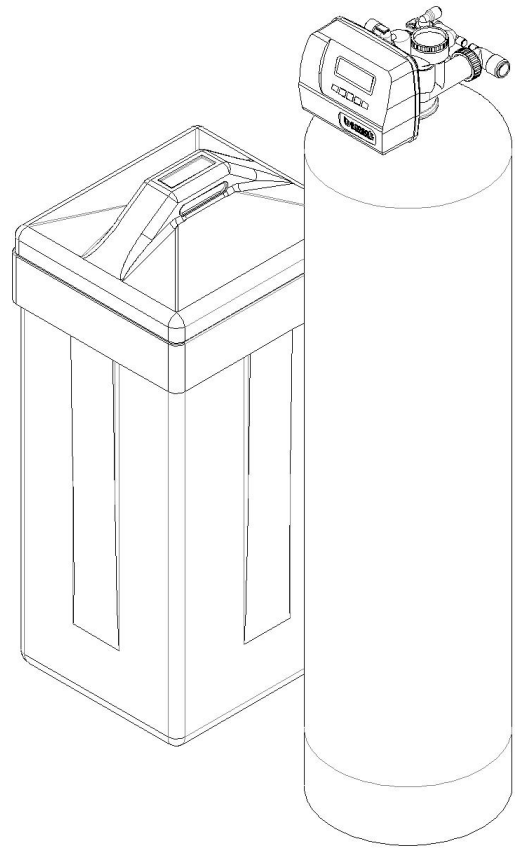
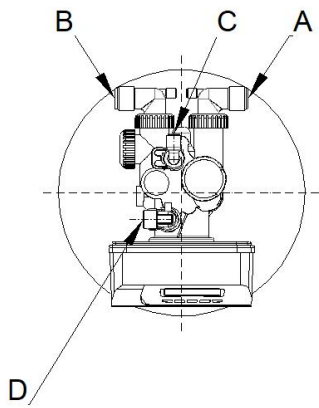
KEY FEATURES

- System Controller may operate 2 - 6 units or be used as a water monitor only
- Clack 1.0", 1.25", 1.5" or 2" control valves may be used
- 4 available operating modes: Progressive flow, Alternator, Series, Random

WSSYSTCON2* - includes a kit for connecting 2 systems. The last number indicates the number of possible connected systems

¹ See "Recommended media volume"

CONNECTIONS



Marking	Nomenclature	Connection	Height
A	Inlet	PH G 1"	1450±30
B	Outlet	PH G 1"	1450±30
C	Brine line	PH G 3/8"	1545±30
D	Drain	PH G 3/4"	1555±30

DIMENSIONS OF SYSTEM

