

WHOLE HOUSE FILTER AQUAPOINT STANDARD on metal rack

A simple and universal solution for a private house and cottage

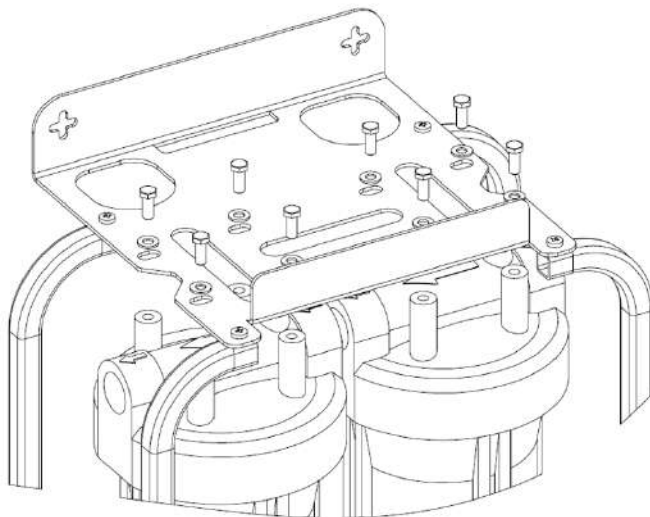
The AQUAPOINT filter is not only an independent filter, also his works perfectly with Andvancets softener and softener

KEY ADVANTAGES:

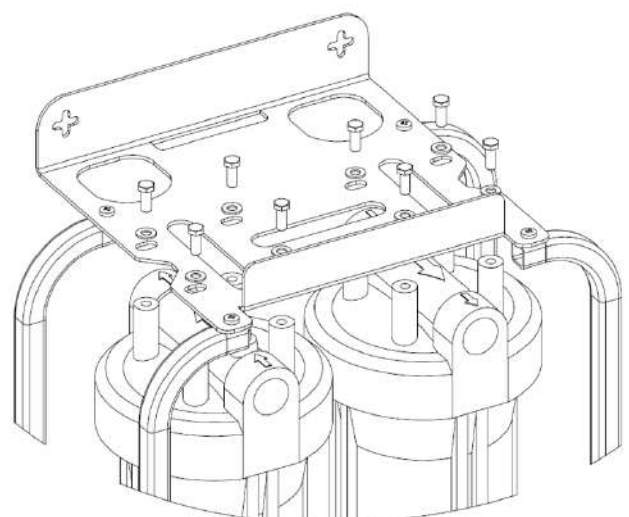
- It is easily adapted to remove various impurities from water:
 - 6 options for water purification.
- Optimized compact installation:
 - 6 connection options;
 - Serial or parallel connection;;
 - Convenient connection of reagent and backwash filters.
- Can be installed on the floor or hung on the wall.



**ECOSOFT AQUAPOINT STANDARD
on metal rack**



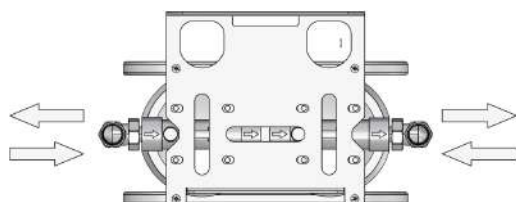
**ECOSOFT AQUAPOINT STANDARD
on metal rack with reagent and backwash filters**



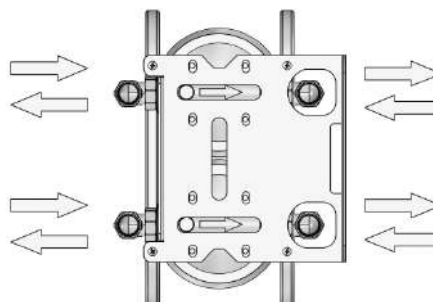
WHOLE HOUSE FILTER AQUAPOINT STANDARD WITH METAL RACK

Code	Product	Quantity in box	Box on pallet	Quantity box on pallet
FPV24520SECOSTD	Ecosoft Aquapoint Standard whole house filter on metal rack	1	24	24

2 sequential options



4 variants of the transverse



6 SOLUTION FOR VARIOUS WATER QUALITY PROBLEMS

	CARTRIDGE BB20 IN	CARTRIDGE BB20 OUT
SAND AND RUST	PP20 (MODEL CPV452020ECO) 20 µm melt blown polypropylene sediment replacement filter	PP5 (MODEL CPV45205ECO) 5 µm melt blown polypropylene sediment replacement filter
CHLOR	PP20 (MODEL CPV452020ECO) 20 µm melt blown polypropylene sediment replacement filter	GAC (MODEL CHV4520ECO) Granular activated carbon replacement filter
COLOR AND CHLORINE	GAC (MODEL CHV4520ECO) Granular activated carbon replacement filter	CTO10 (MODEL CHVCB4520ECO) Carbon block replacement filter
HYDROGEN SULPHIDE	PP20 (MODEL CPV452020ECO) 20 µm melt blown polypropylene sediment replacement filter	GAC-CAT (MODEL CRVS4520ECO) Smell reduction replacement filter with catalytic activated carbon
IRON	PP20 (MODEL CPV452020ECO) 20 µm melt blown polypropylene sediment replacement filter	FERROMIX (MODEL CRVF4520ECO) Iron reduction replacement filter
IRON AND HYDROGEN SULPHIDE	FERROMIX (MODEL CRVF4520ECO) Iron reduction replacement filter	GAC-CAT (MODEL CRVS4520ECO) Smell reduction replacement filter with catalytic activated carbon

ECOSOFT AQUAPOINT STANDARD ON RACK TECHNICAL SPECIFICATION

Parameter	Value
Kode	FPV24520SECOSTD
Overall dimensions (Width × Depth × Height), mm.	430 × 294 × 758 ±5*
Weight:	
Dry system, max, kg	21,5
System with water, max, kg	91,5
Connection port sizes	
Inlet	1"
Outlet	1"
Filter size (Diameter × Height), inch	4,5 × 20"
Type of installation	In-line
Temperature of water, °C	+3 – +43
Flow capacity**, m3/h	1,8
Recommended pressure, bar	3,5 – 6
Maximum pressure, bar	8

* The size depends on adjustable feet level

**The flow capacity is for polypropylene filters. Flow capacity may be different with other types of filters.