

# TITANIUM GOLD ECOMIX® SOFTENERS

A high-flow capacity filter for treatment of challenging water at home. ECOMIX® C reduces hardness, iron, manganese, organic and ammonium even with strong seasonal changes in water.



## KEY FEATURES

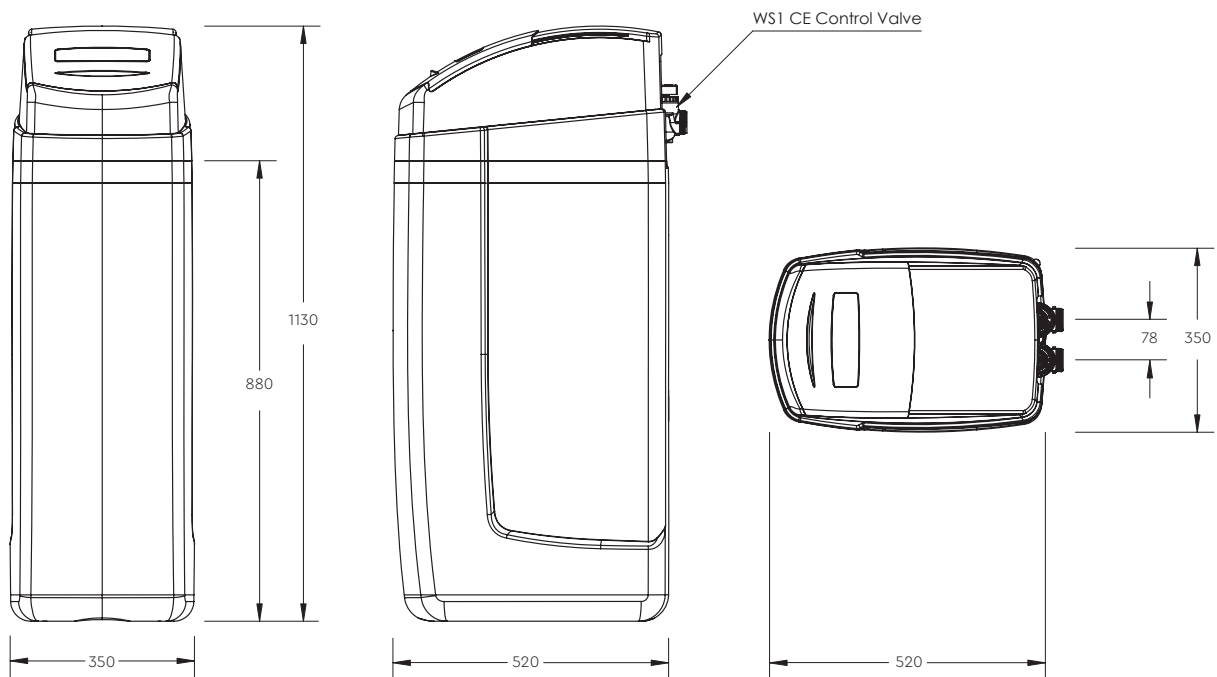
- Made in Belgium with 100% US-made components
- Versatile modern Clack® CE control with multilingual menu (EN, DE, FR, UA)
- Increased salt capacity: up to 117 kg
- Smart overflow location saves installation space and protects against mechanical damage
- Resistant to seasonal changes in water

## COMPONENTS

- Pre-adjusted Ecosoft-Clack CE
- Cabinet enclosure
- Pressure tank
- Brine well with safety float valve
- ECOMIX® C

### ECOSOFT TITANIUM GOLD ECOMIX® SOFTENERS (ECOMIX® C)

| Code                     | Description                        | ECOMIX® C, L |
|--------------------------|------------------------------------|--------------|
| <b>FK1035CABCEMIXCOR</b> | Titanium Gold ECOMIX® softener 250 | 25           |
| <b>FK1235CABCEMIXCOR</b> | Titanium Gold ECOMIX® softener 370 | 37           |



## TECHNICAL SPECIFICATION

| Parameter  | FK1035CABCEMIXCOR | FK1235CABCEMIXCOR |
|--|-------------------|-------------------|
| Operating flow rate, m <sup>3</sup> /h                                       | 1.0 / 1.2         | 1.4 / 1.8         |
| Quantity of ECOMIX®, L   | 25                | 37                |
| Volume capacity, m <sup>3</sup> 250 mg/L CaCO <sub>3</sub> influent harness  | 3                 | 4.5               |
| Usage of salt per regeneration, kg   | 2.5-4.0           | 3.7-6.0           |
| Usage of water per regeneration (discharge per regeneration), m <sup>3</sup> | 0.25              | 0.37              |
| Duration of regeneration, minutes  | 80-110            |                   |
| Pressure drop in service mode, bar   | 0.5               |                   |
| Inlet pressure, bar  | 2-6               |                   |
| Electrical requirements  | 230 V, 50 Hz      |                   |
| Power consumption, W   | 30                |                   |
| Inlet/outlet pipe connections  | 1"                |                   |
| Dry weight, kg   | 30                | 42                |
| Overall dimensions, (Width × Depth × Height), mm                             | 350 × 520 × 1130  |                   |

## INFLUENT WATER LIMITATIONS

| Parameter                 |                            |
|---------------------------|----------------------------|
| Hardness                  | 750 mg/L CaCO <sub>3</sub> |
| Iron                      | 15 mg/L                    |
| Manganese                 | 3 mg/L                     |
| Chemical Oxygen Demand    | 20 mg/L O <sub>2</sub>     |
| Ammonium                  | 4 mg/L                     |
| Sediment prefilter rating | 100 μm                     |
| Temperature of water      | +4...+30 °C                |