

## ECOSOFT POWERSOFT 3750

Treatment of household water, steam boiler and heating circuit feed water, pharmaceutical manufacturing, food processing, chemical manufacturing, textile industry, drinking water bottling, agriculture, fish farms etc.

### KEY FEATURES

- Minimum pressure losses on filters at maximum flows
- High flow lead free brass valve, high flow bottom laterals distributors, top stacks distributors, high capacity brine tank
- PC003UN for industrial softening applications: monodisperse size, gel, strong acid cation exchange resin
- Automatic Clack CE control valve:
  - Regeneration control by water volume: delayed regen, immediate, both
  - Possibility to change the cycle of regeneration stages and their range of time
  - Multilanguage menu: English, German, French, Ukrainian
  - Different setting modes are available:
    - double valve twin or duplex configurations
    - multi-system mode, up to 8 system to the system controller
    - 2 external devices simultaneously can be connected



### SET OF EQUIPMENT

#### WS2CE meter control valve assy (V2CEDTE):

- WS2CE control valve
- Top stack distributor, 50 mm riser
- Meter assembly
- Power supply
- Injector
- DLFC
- Funnel
- Valve instruction manual, Instruction manual

#### Pressure tank assembly:

- Pressure tank CN-24×72 (top bottom opening 4"-8-UN)
- Riser DN 50 mm
- Bottom stack distributor

#### Brine tank assembly

- Brine tank 30×50, 560 L
- Brine well assembly (brine valve, overflow set)
- Brine grid

#### Resin

- Type resin — PC003UN monosphere cation exchange resin
- Volume resin — 375 liters

## TECHNICAL SPECIFICATION OF POWERSOFT 3750

Parameters	
Maximum service flow rate	17.5 m <sup>3</sup> /h
Quantity of resin	375 l
Volume capacity*	75 m <sup>3</sup>
Usage of salt per regeneration	37.5 – 60.0 kg
Usage of water per regeneration (= discharge per regeneration)	2.63 – 3.75 m <sup>3</sup>
Duration of regeneration	80 – 120 minutes
Operating pressure	2 – 6 bar
Inlet, outlet	2"
Drain	1.5"
Brine line	1"

Parameters	
Volume of pressure tank	450 l
Dome volume	46 l
Volume of brine tank	560 l
Dry system weight	60 kg
Electrical requirements	230 V, 50 Hz
Electrical power	30 W
Operating temperature	+4...+30 °C

## ECOSOFT POWERSOFT 3750

Code	Product	Volume resin, L	Maximum service flow rate, m <sup>3</sup> /h**
FU2472CE2	Ecosoft PowerSoft 3750	375	17.5

\* At a hardness of 250 ppm CaCO<sub>3</sub>, the salt dose for regeneration is 100 g/l

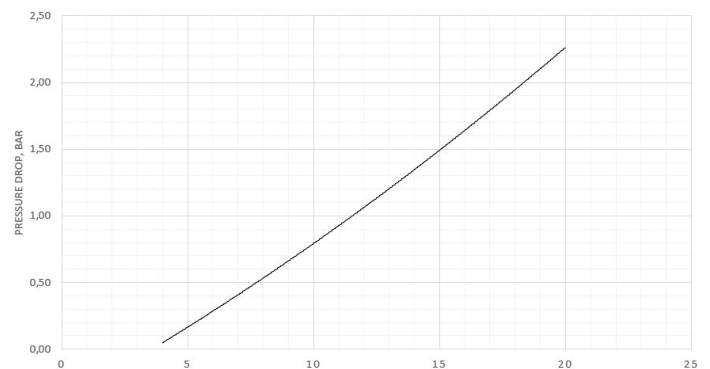
\*\* With a linear filtration rate of 60 m/h

## ACCESSORIES\*

Code	Description
V3017	WS2 Auxiliary Microswitch assembly
V3076BSPT	Water Specialist 2" Motorized alternating valve
V3097BSPT	Water Specialist 2" No hard water bypass valve

\* Not included in the basic set.  
Can installed as additional equipment

## PRESSURE DROP vs FLOW RATE\*\*



\*\* Data is based on control valve type, distributors type, temperature, and media type

## CONFIGURATIONS

### DOUBLE VALVE TWIN



#### DOUBLE VALVE TWIN ASSEMBLY PARTS

1. FU2472CE2 — 2 pcs.
2. V3076BSPT — 1 pcs.

Single valve twin set may operate 2 units with alternative mode (the first unit in operation, the second — in regeneration or stand by) and can produce water during the day at constant flow rate.

#### KEY FEATURES

- Ensures stable water quality with constant flow
- User friendly installation
- Doesn't create hydraulic shocks

### DUPLEX VALVE



#### DUPLEX VALVE ASSEMBLY PARTS

1. FU2472CE2 — 2 pcs.
2. V3076BSPT — 2 pcs.
3. V3017 — 2 pc.
4. 1PROVODDUP — 2 pcs.
5. 71213 — 2 pcs.

Duplex valve set may operate 2 units parallel and can provide double flow rate during peak consumption.

#### KEY FEATURES

- Double flow rate for peak consumption
- User friendly installation
- Doesn't create hydraulic shocks

### MULTI-SYSTEMS



#### SET FOR 2...8 UNITS WITH CLACK SYSTEM CONTROLLER

1. FU2472CE15 — 2...8 pcs.
2. WSSYSTCON2\* — 1 pcs.
3. V3097BSPT — 2...8 pcs.

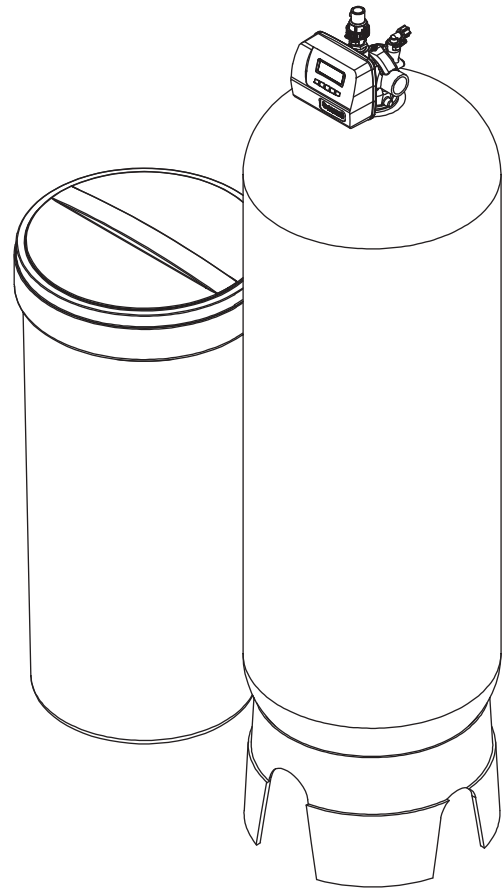
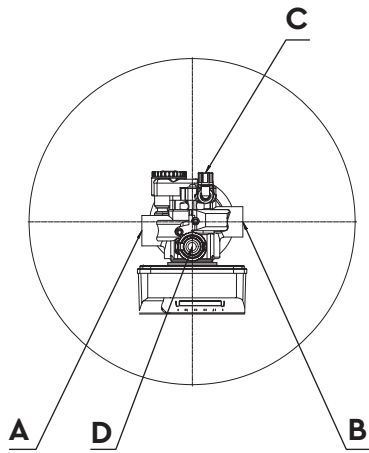
The Clack system controller may operate 2 – 8 units and has 4 operating modes that ensure efficient operation of the set for various needs.

#### KEY FEATURES

- System Controller may operate 2 — 8 units or be used as a water monitor only
- Clack WS1.0, WS1.25, WS1.5 or WS2 control valves may be used
- 4 available operating modes: Progressive flow, Alternator, Series, Random

**WSSYSTCON2\*** — includes a kit for connecting 2 systems. The last number indicates the number of possible connected systems

## CONNECTIONS



Marking	Nomenclature	Connection	Height
A	Inlet	PH G 2"	2260±30
B	Outlet	PH G 2"	2260±30
C	Brine line	PH G 1"	2370±30
D	Drain	PH G 1.5"	2420±30

## DIMENSIONS OF SYSTEM

